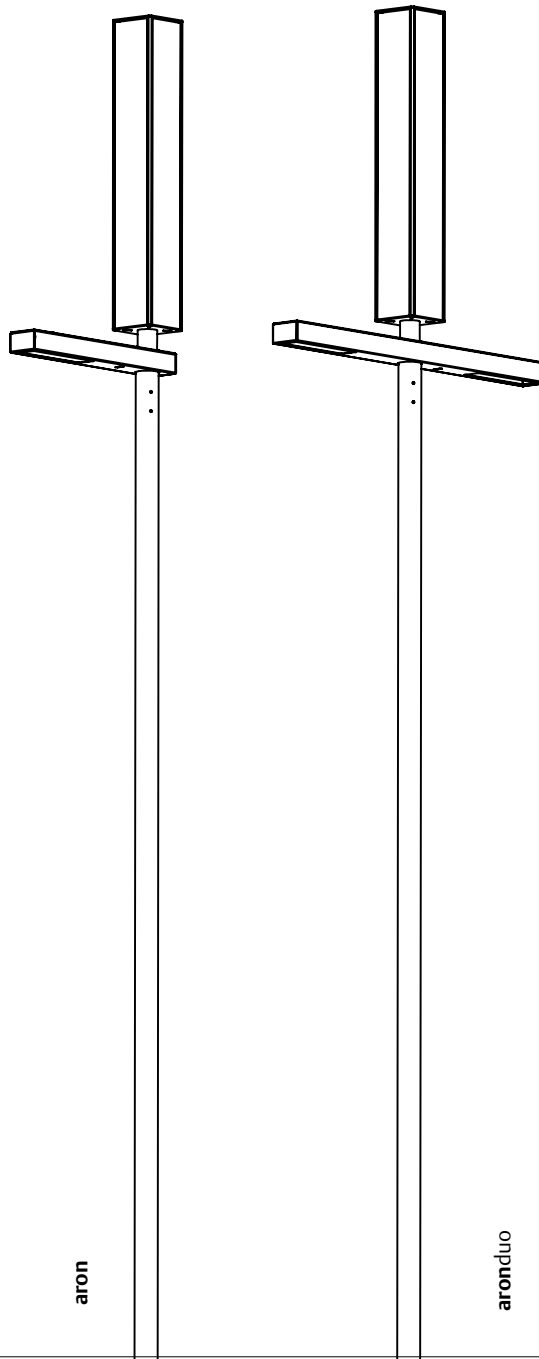


*brilliance in solar lighting*

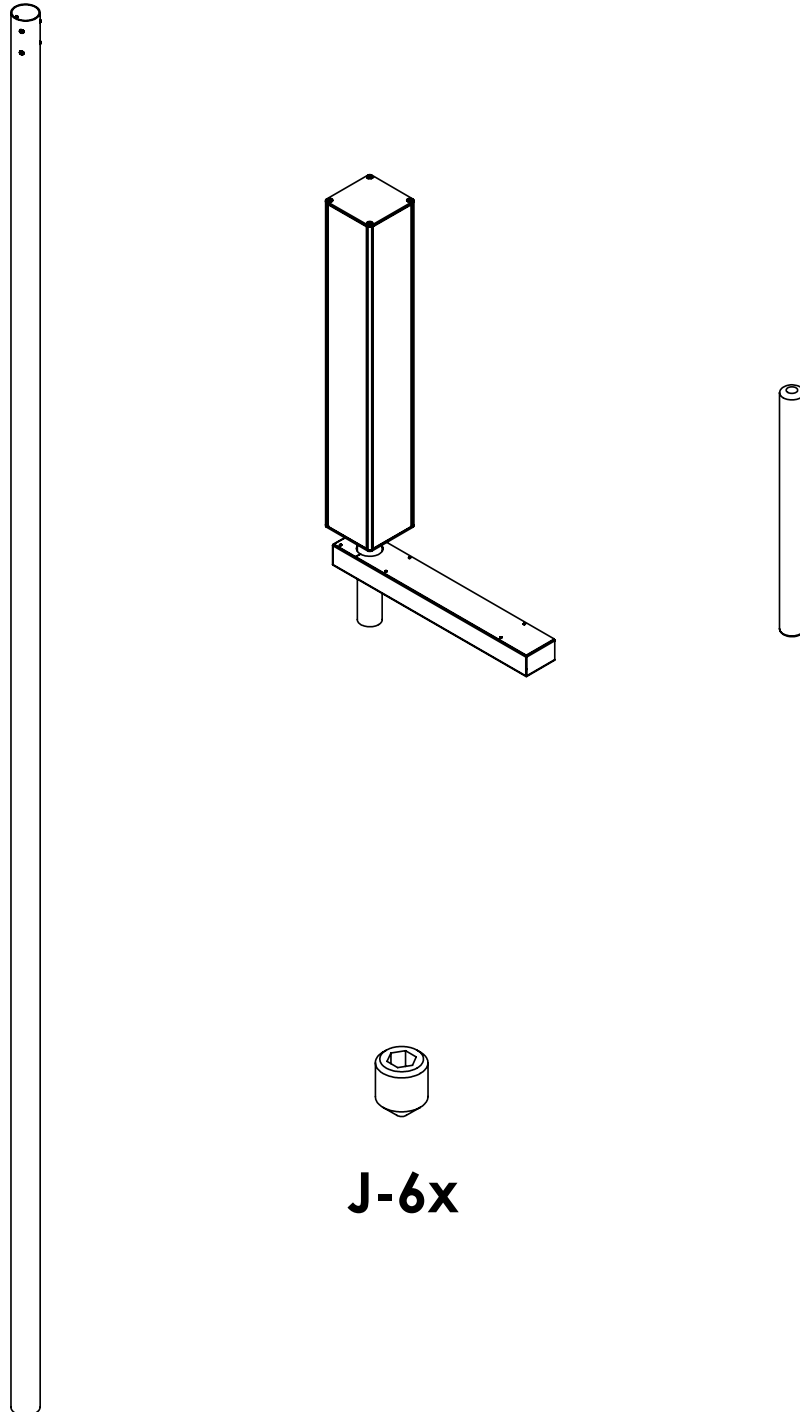
# photinus

## INSTALLATIONSANLEITUNG INSTALLATION INSTRUCTION V.1 | 2019

aron



LIEFERUMFANG / INCLUDED PARTS

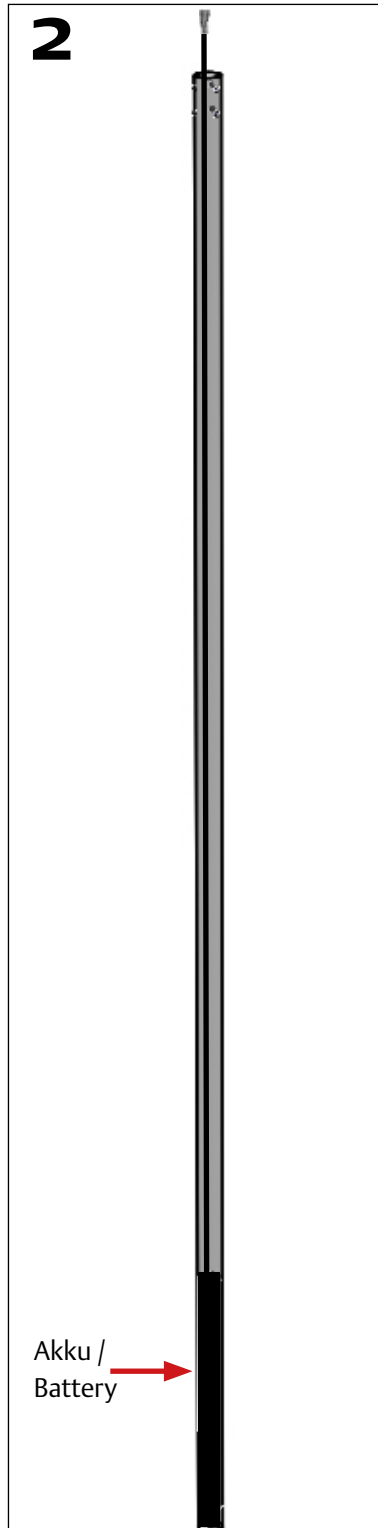
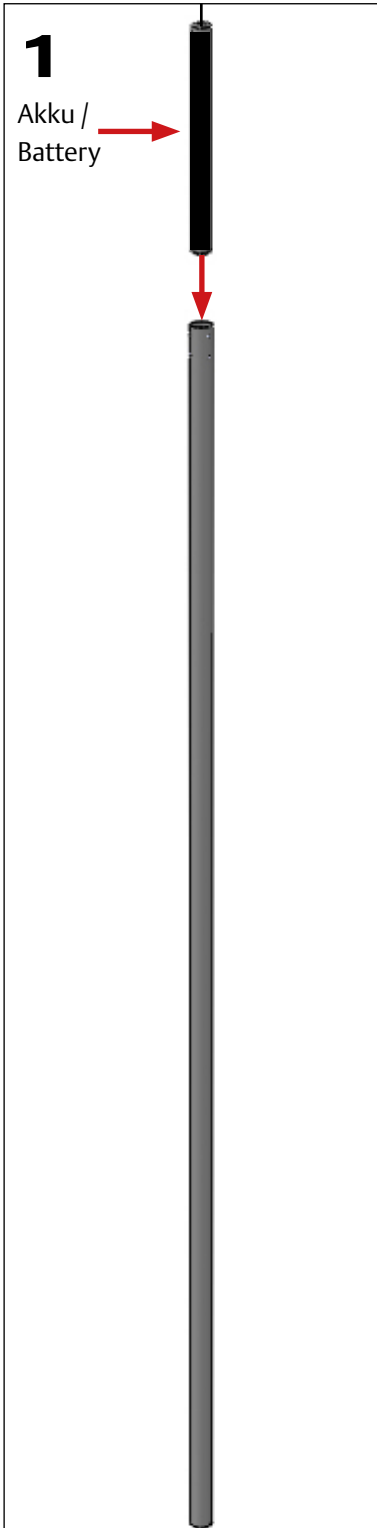


**J-6x**

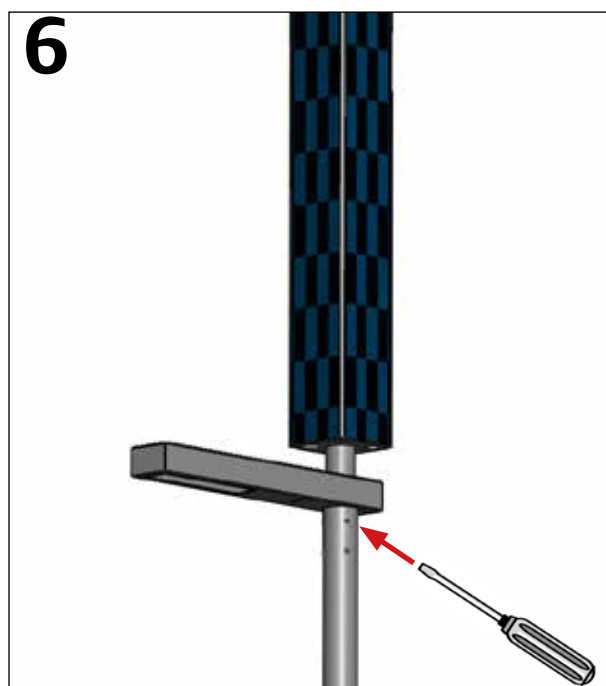
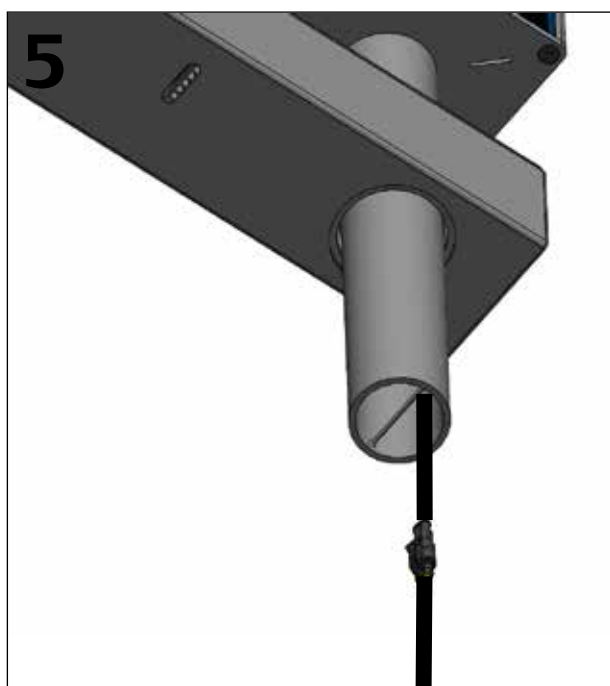
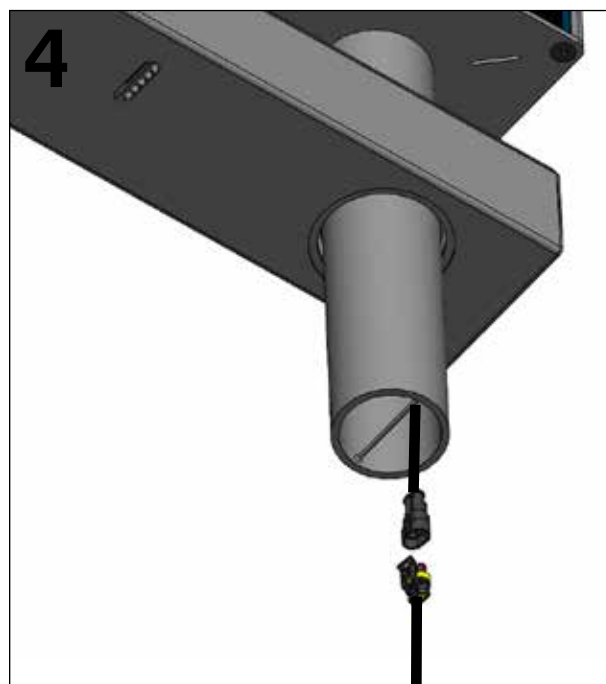
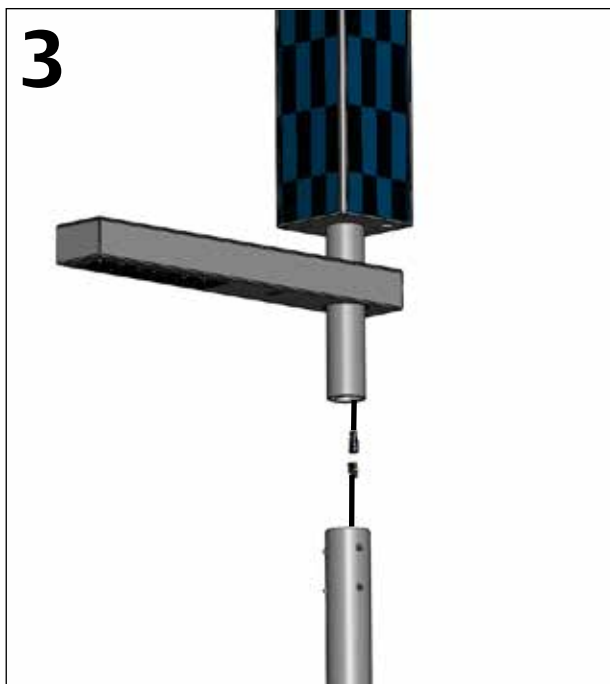
BENÖTIGTES WERKZEUG IHRERSEITS / TOOLS REQUIRED

**1** Inbusschlüssel / Allen Wrench 4

AKKU UND LICHTMAST / BATTERY AND POLE

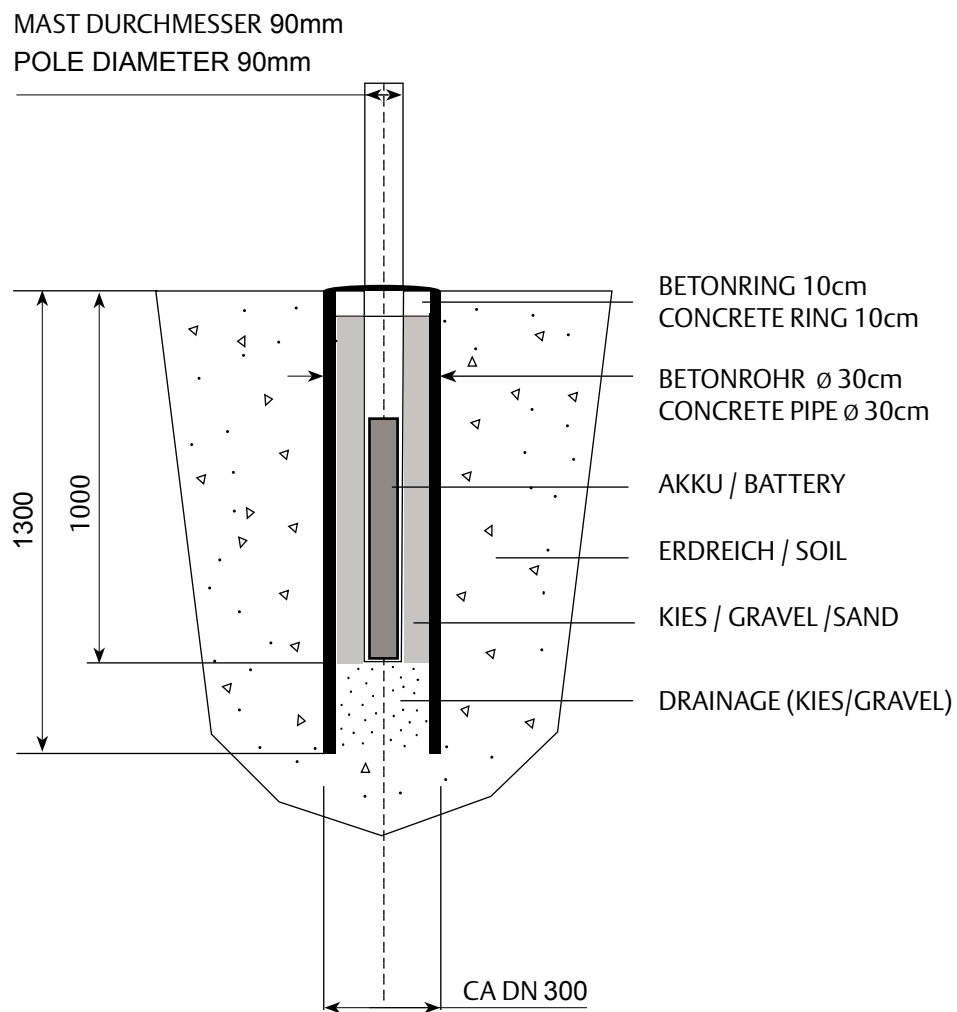


PHOTOVOLTAIK MODUL / PHOTOVOLTAIC MODULE



MONTAGEMÖGLICHKEIT 1 - ROHRFUNDAMENT

MOUNTING POSSIBILITY 1 - PIPE FOUNDATION



**MONTAGEMÖGLICHKEIT 2 - SCHRAUBFUNDAMENT**

**MOUNTING POSSIBILITY 2 - GROUND SCREW FOUNDATION**

**KRINNER Screw Foundation**

Art. 26160: KSF E140x1600-E76-100

Art. 26813: Exzentrersatz - E90

MAST DURCHMESSER 90 mm  
POLE DIAMETER 90 mm

