

brilliance in solar lighting

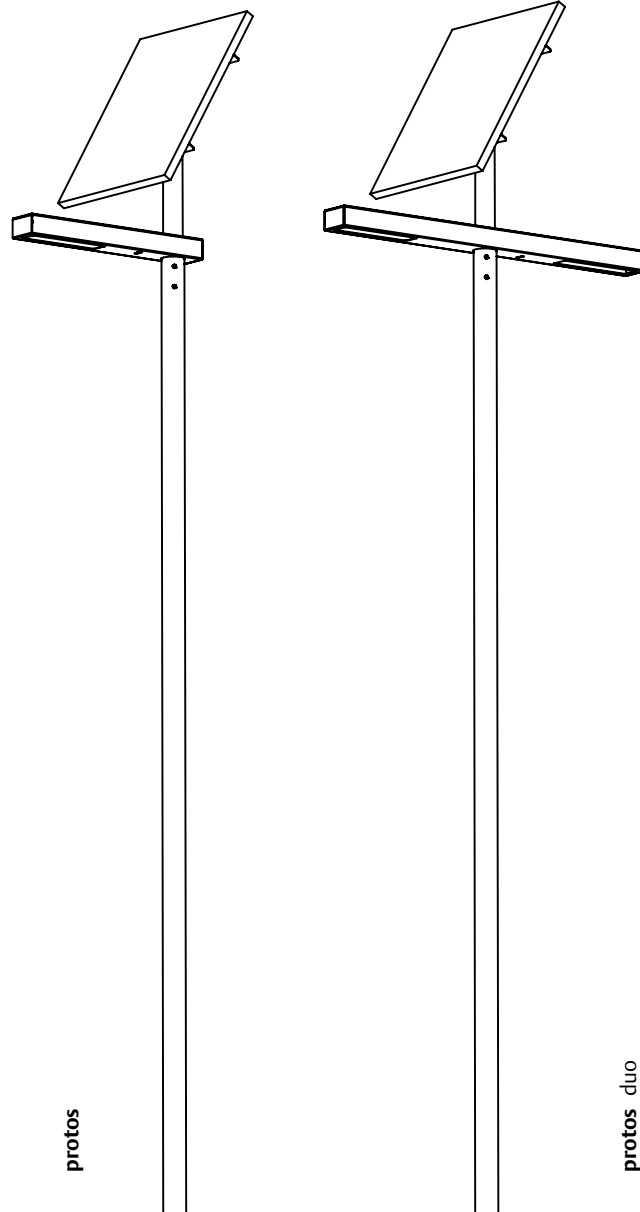
photinus

INSTALLATIONSANLEITUNG INSTALLATION INSTRUCTION

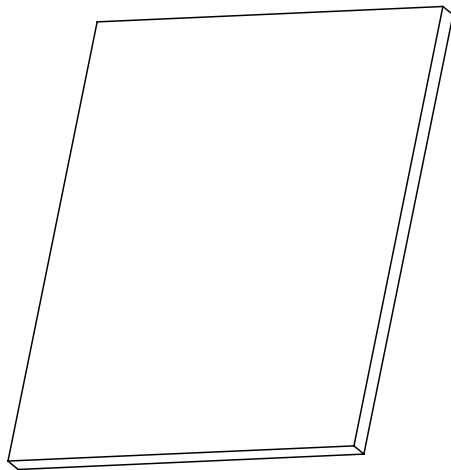
V.1 | 2024

40°

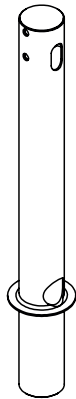
protos 150 / 275



LIEFERUMFANG / INCLUDED PARTS



1x



1x



1x



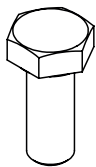
2x



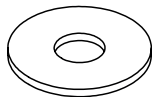
1x



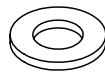
1x



A-8x



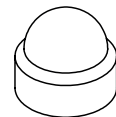
B-4x



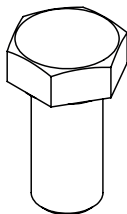
C-12x



D-8x



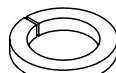
E-8x



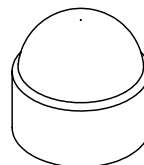
F-4x



K-4x



G-4x



H-4x



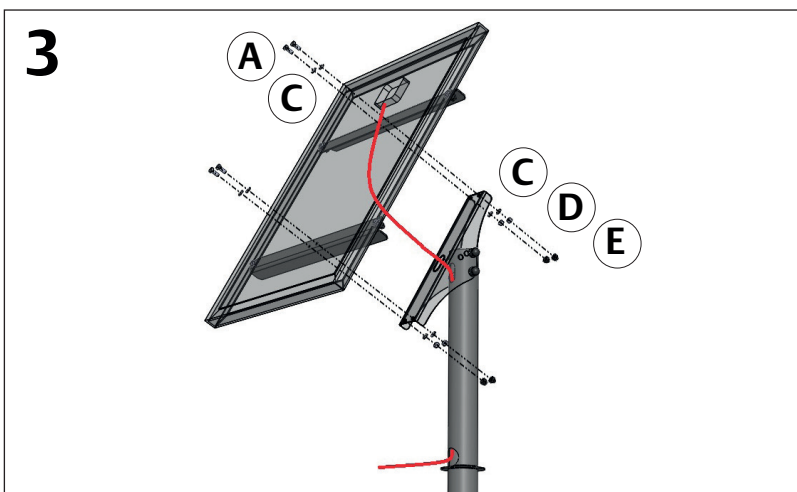
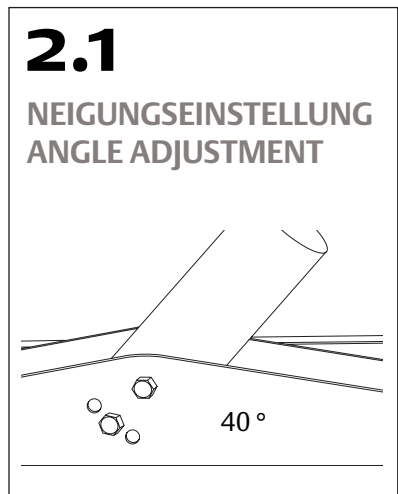
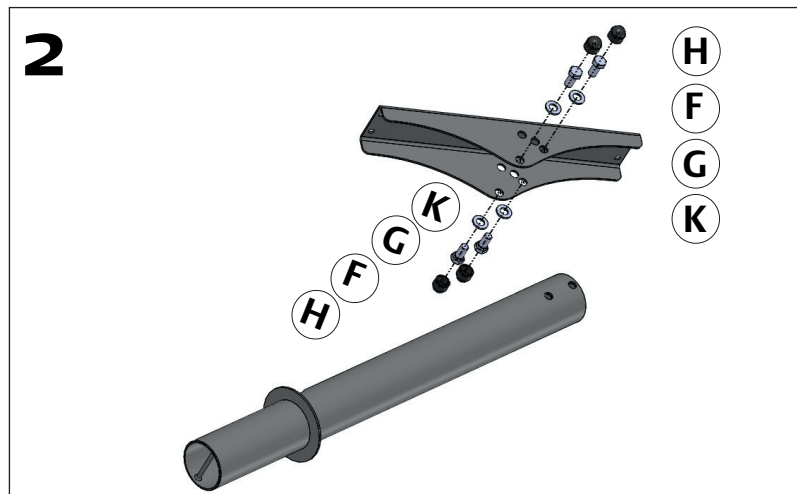
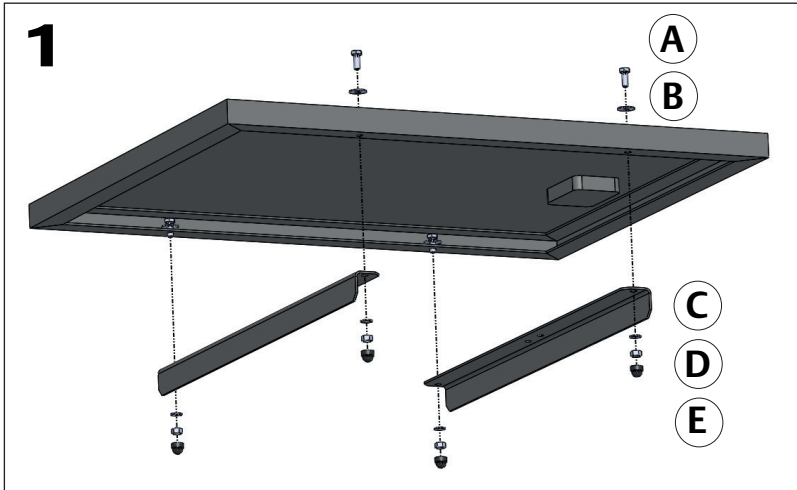
J-6x

BENÖTIGTES WERKZEUG IHRERSEITS / TOOLS REQUIRED

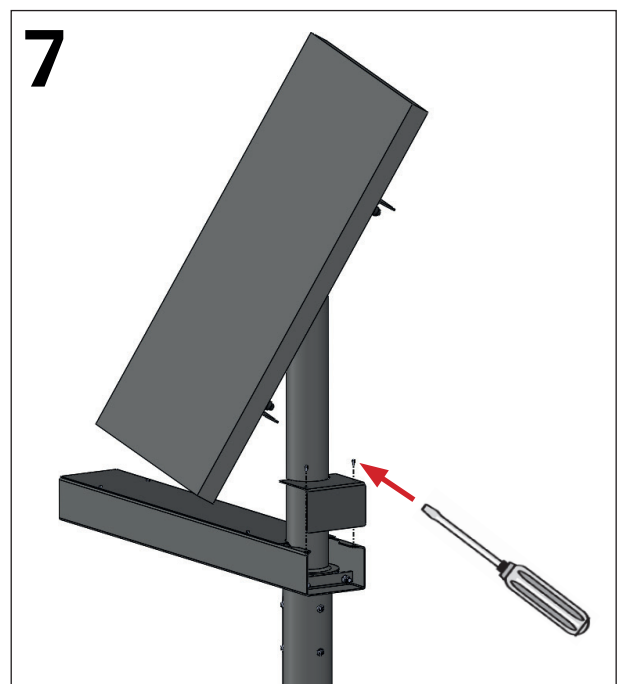
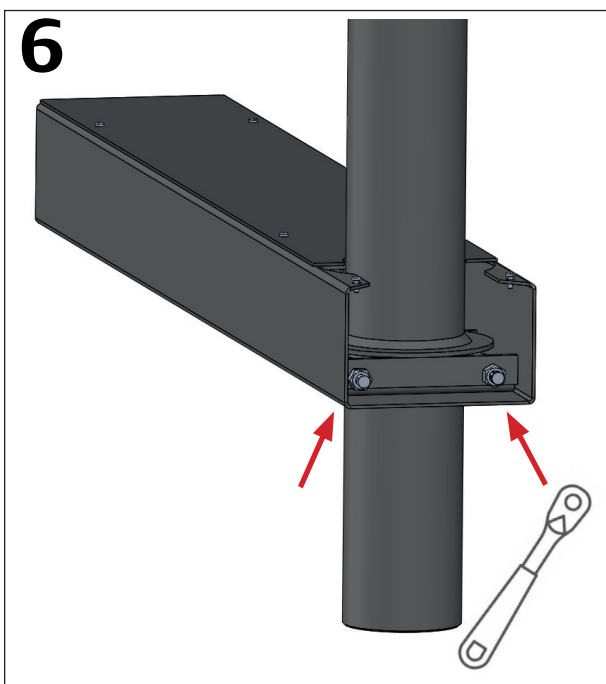
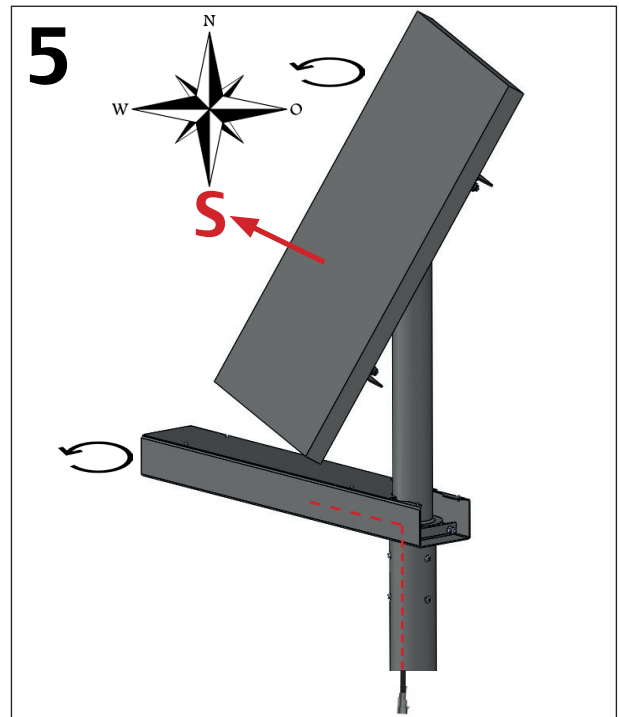
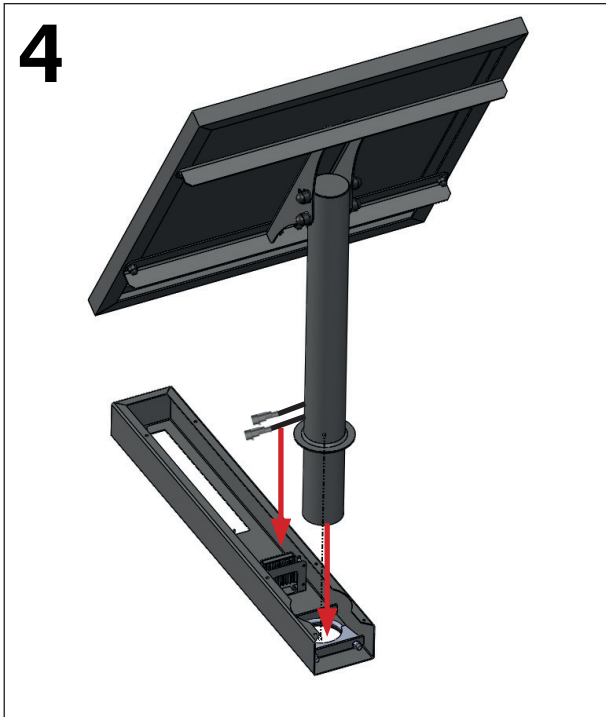
1 Inbusschlüssel / Allen Wrench 4 / 5 / 6 mm
 1 Gabelschlüssel / Open Wrench - SW 13

1 Torx 20 Schraubendreher / torx 20 screwdriver
 1 Ratschensatz / Nut runner - SW13 / SW 19

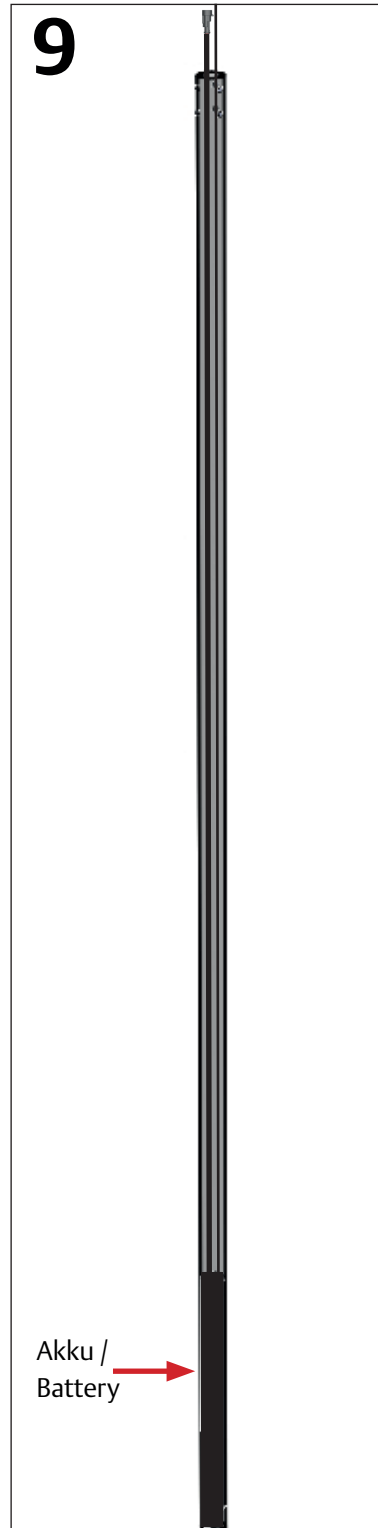
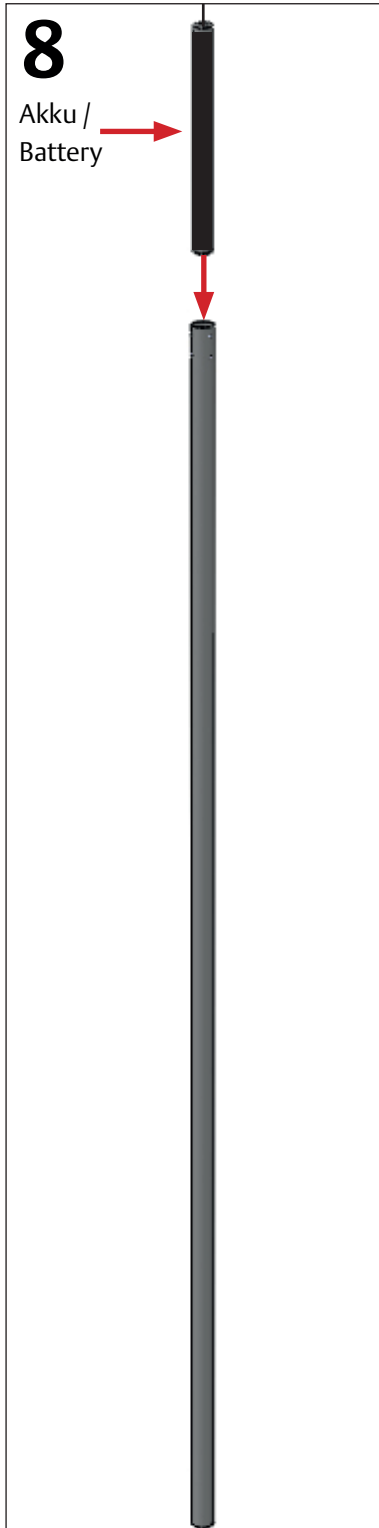
PHOTOVOLTAIK MODUL / PHOTOVOLTAIC MODULE



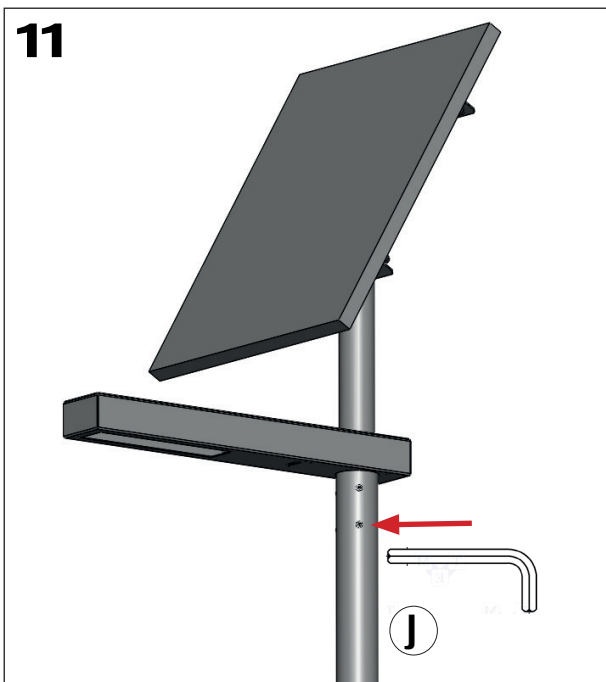
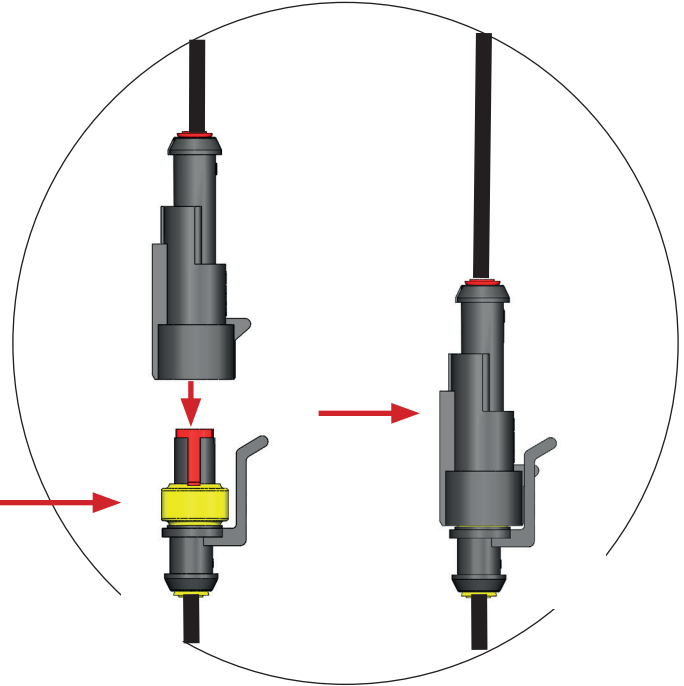
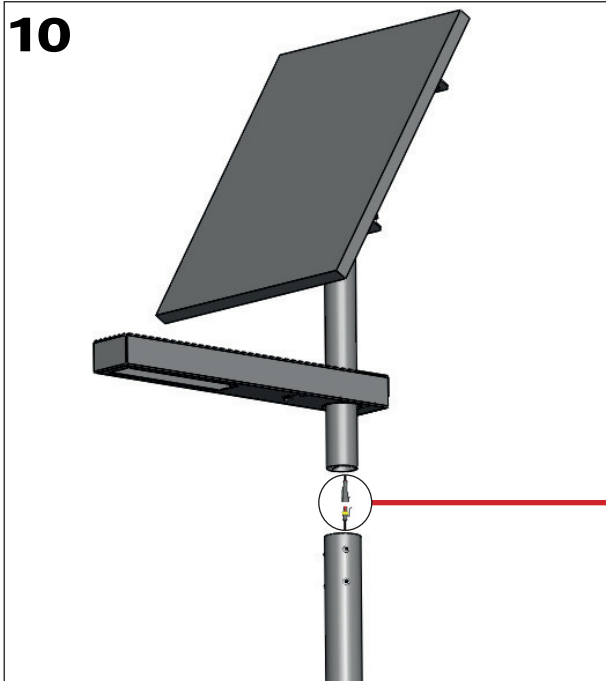
LICHTGEHÄUSE / LIGHT HOUSING



AKKU UND LICHTMAST / BATTERY AND POLE

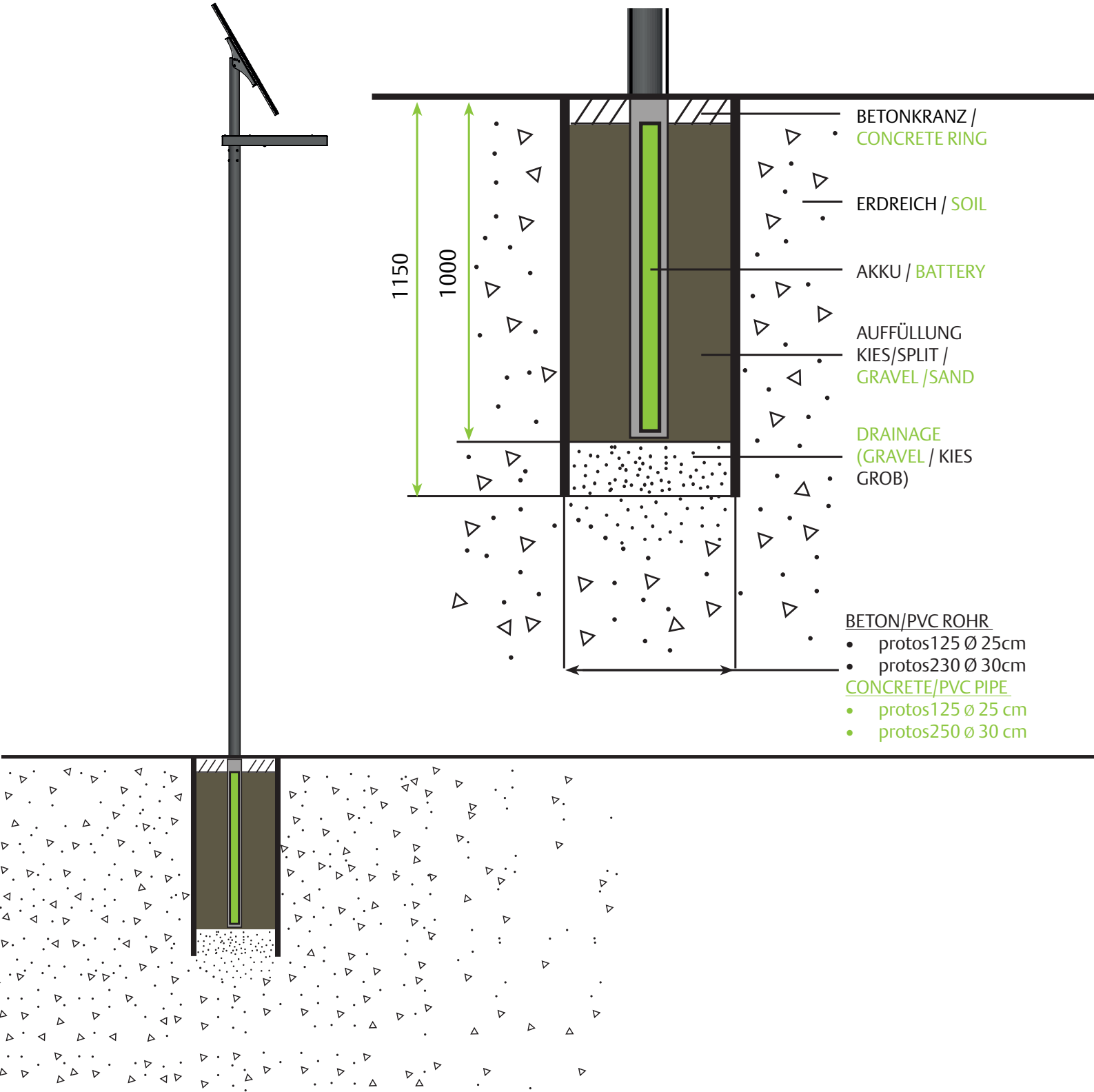


AKKU UND LICHTMAST / BATTERY AND POLE



MONTAGEMÖGLICHKEIT 1 - ROHRFUNDAMENT

MOUNTING POSSIBILITY 1 - PIPE FOUNDATION



MONTAGEMÖGLICHKEIT 2 - SCHRAUBFUNDAMENT

MOUNTING POSSIBILITY 2 - GROUND SCREW FOUNDATION

KRINNER Screw Foundation

Art. 26160: KSF E140x1600-E76-100 for protos 150

Art. 25500: KSF E140x2100-E76-100 for protos 275 an protos duo

