

pureal
www.pureal.co.kr

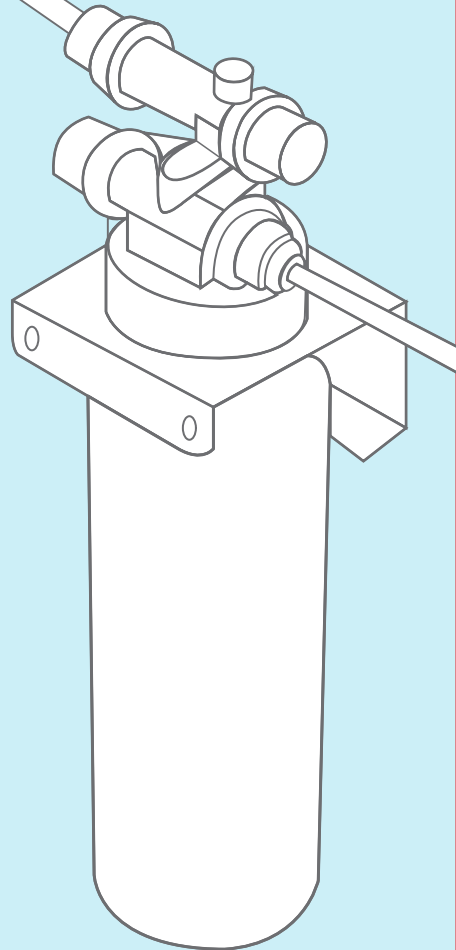
User Manual

pureal

hybrid

Water Purifier

Clean water by direct
filtration system





HARD

Sturdy Design

Strong and luxurious design



EASY

Easy Filter Replacement System

Every user can exchange filters easily without any tool or equipment



BEST

Optimum Filter Solution

The best performance by high quality water filter system



SAVE

No Electricity & No Noise

No worry about electric charge and noise

- Safety precaution ----- 04
- The name of parts ----- 05
- Product specification ----- 06
- Preparations before installation ----- 07
- How to install the product ----- 08
- Check points before using ----- 11
- How to change filters ----- 12
- How to connect with other products ----- 13
- Trouble shooting ----- 14
- Product standard ----- 15

In order to protect the users safety, please read carefully and follow the below instructions & signs to prevent accidents and avoid dangers.



Caution Failure to follow these instructions could result in serious injury or property damage.



Warning Failure to follow these instructions could result in serious injury or even death.



Warning

- Do not disassemble or modify the product
It may cause damage to the product
- Do not remove filter while product running
It may cause damage to the product by water pressure
- Do not place electric heating instrument near the product
It may cause fire or damage and leakage to the product



Caution

- Do not install on uneven or inclined floor. Do not give excessive impact to the product
It may cause injury or product damage
- Close the inlet tap water valve, if not use product for a long time.
It may cause water leak by water pressure increasing especially during vacation
- Change filters as filter replacement period
It may cause low performance with end of life time filters
- Do not pull out hose while product moving or filter replacement
It may cause product damage or water leak.
- Close tap water valve, if find water leak

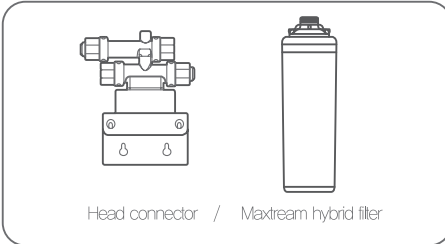


0°C

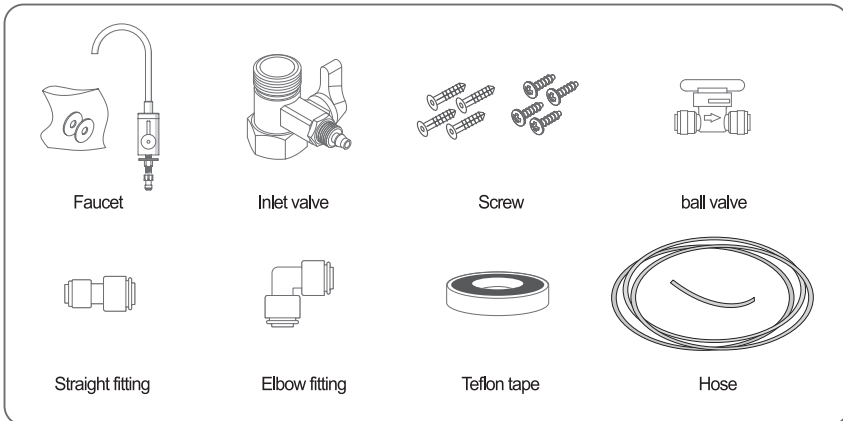


The product will be damaged by frozen water with below zero temperatures.
Therefore please beware of room temperatures not do be below zero.

● Identification of components



● Installation components



Division	Part	Specification	Quantity
Main item	Head connector	1 stage	1 ea
	Hybrid filter	15 "	1 ea
Installation component	Faucet	1/4"	1 ea
	Inlet valve	3/8"	2 ea
	Screw	-	1 ea
	Ball valve	3/8"	1 ea
	Straight fitting	1/4"- 3/8"	4 ea
	Elbow fitting	3/8"	1 ea
	Teflon tape	-	1 ea
	Hose	1/4", 3/8"	1 ea

1) Service condition

	Section	Unit	Specification
Using condition	Inlet water pressure	kgf/cm ²	0.5~4.0
	Inlet water temperature	℃	4~38
	Inlet water pH	pH	6.5~8.5
	Max. Flow rate	LPM(GPM)	5.67(1.5)
	Filter life time	Month	12 month (25L/day)
	Filter capacity(Chloroform)	L	6,500



Caution Please install Pressure Reducing Valve before system, if tap has high pressure over 4.0kgf/cm².

2) Filter performance

MAXTREAM HYBRID filter removes dust, rust and prevent scales formation. Also it removes Chlorine and VOC's by Activated carbon. Electro Positive Membrane has high performance to remove microorganism, Bacteria (bacillus, E. coli, and Staphylococcus aureus), Virus (Norovirus) and Heavy metal (Hg, Pb, Cr, Fe, Al).

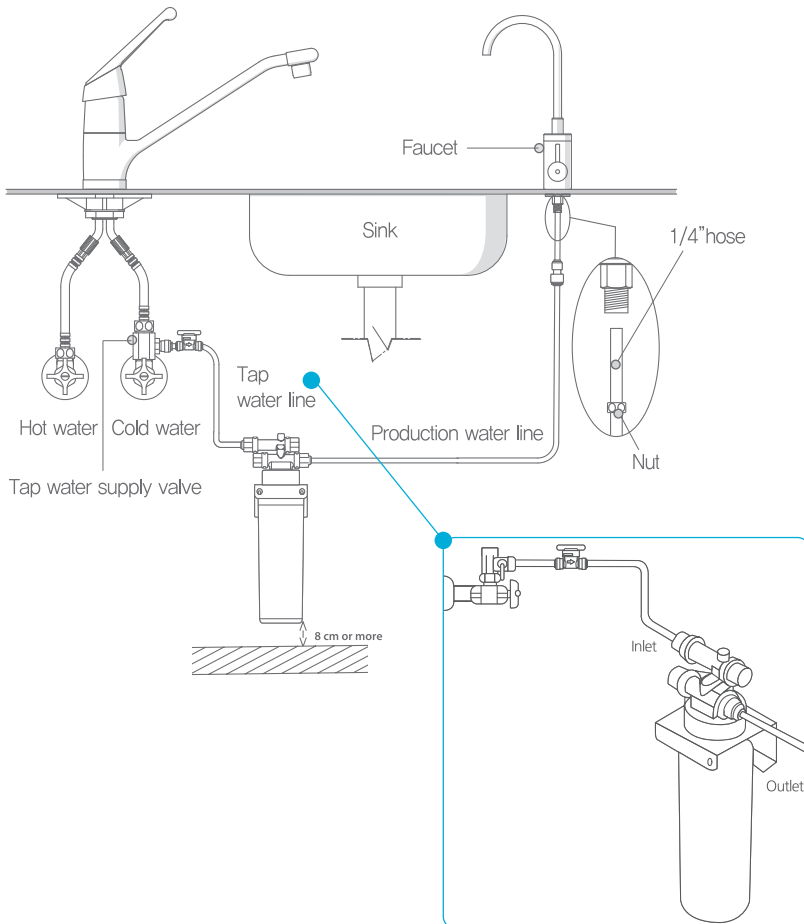
※ Change filters as filter replacement period. It may cause low performance with end of life time filters.



Caution

- Please read carefully and follow the manual before installation.
- This product is water purifier which using only tap water.
- If the tap water has lower quality or condition than our standard, please use pre-filters before system.
- Do not use with water that is microbiologically unsafe or of unknown quality without adequate disinfection.

● Installation





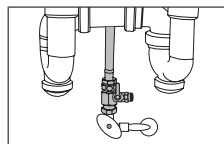
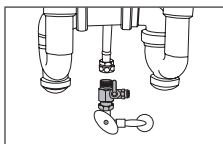
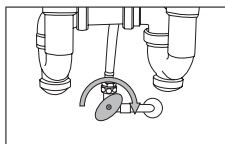
Caution

- Keep to the minimum distance so that the hose connected between components is not bent or twisted.
- Do not install in any place that is lit by direct sunlight or exposed in the frozen status.
- Be sure to install in a convenient place for filter exchange or maintenance.
- When moving or lifting the product, make sure the filter remains vertical.

● INSTALLATION INSTRUCTION

STEP 1. T-VALVE INSTALLATION

- Close the cold water supply valve. Place a bucket or similar item, underneath the valve to catch any water that may spill out during installation.
- Unscrew the hose that connects the cold water supply valve to the existing tap water faucet.
- Ensure the rubber washer is inside the T-valve, and then screw the T-valve Adapter onto the cold water supply valve.
- Screw the cold water supply hose to the top of the T-valve. Be sure to keep the water supply valve closed.



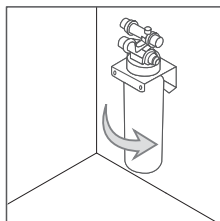
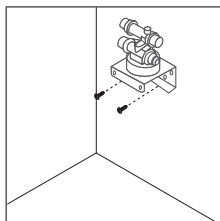
● INSTALLATION INSTRUCTION

STEP 2. HEAD CONNECTOR INSTALLATION

- Using a pencil, mark where the filter head connection assembly will be mounted to the sidewall of the cabinet.
- Insert the mounting screws through the holes in the assembly frame and screw into the cabinet sidewall.

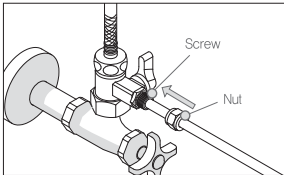
STEP 3. INSTALLING THE FILTER

- Insert the top of the filter into the head connector and turn 90 degrees to the right.



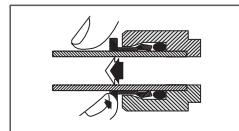
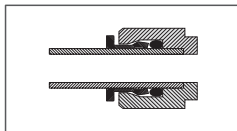
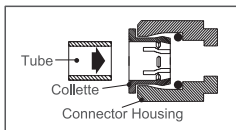
STEP 4. CONNECTING THE TUBING TO T-VALVE

- Release the 3/8" female screw on the 3/8" outlet of T-valve and put the 3/8" female screw on the 3/8" tubing.
- Push and connect the tubing to the 3/8" outlet on the T valve.
- Connect the 3/8" female screw(it was originally from T-valve) on tubing to 3/8" outlet on T-valve and make it tight to prevent leak.



STEP 5. FILTER HEAD CONNECTION

- Tube connections on the Head connections are the "Quick Connect".
- Push the Tube into the Collette. The Collette is a collar that provides a secure fit for the tube and prevents water leaks.
- Push the tube in until it stops. The tube will be secure and resistant to tugs or pulls.
- To disconnect the tube, push down and hold the collette first, and then pull the tube out gnetly.

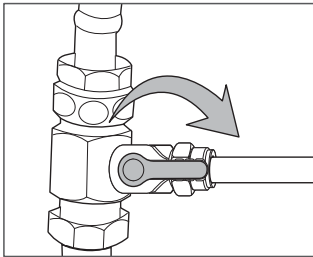


STEP 6. CONNECTING THE TUBING FOR FILTERED WATER TO PROPER PLACE

- Connect outlet tubing to any required Machine or Faucet.

STEP 7. TURN ON WATER & CHECK FOR LEAKS

- Open the T-Valve by turning the valve arm 90 degree.
- Turn the cold water supply valve at the wall counter-clockwise to turn on. The cold water supply will then begin to supply water to filter system.
- Once the water supply has been turned on, check for any signs of leaking throughout the system.
- If no leaks are found, wait 5 minutes and check one more time. If still no leaking, then continue to next step to flush the system.



STEP 8. TURN ON WATER & CHECK FOR LEAKS

- Open the outlet of the system (if a faucet is used, please open faucet), and let the water flow from the filter system for 5 minutes continuously to flush the system.
- Your filter system is now ready to use.

● Hose connection

1. Connect tap water supply valve and ball valve by hose.
 2. Connect ball valve and inlet fitting on head connector by hose.
 3. Connect outlet fitting on head connector and faucet by hose.
- ※ If the place is limited for installation, please use elbow fitting.



Caution

Caution: Refer to installation drawing page No.5.

● Check system operation and water leak



Caution

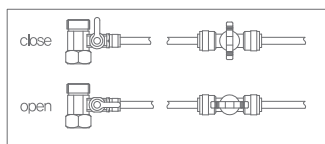
Caution: Please check water line is connected correctly.
Please check all parts are assembled correctly.

1. Release faucet before operating.

(Turn the handle of faucet to counterclockwise.)

2. Release tap water supply valve and ball valve slowly.

Check water is come out from faucet and water leak between tap water valve and faucet.



Tap water supply valve & Ball valve

3. Close faucet after checking water is come out ordinarily and check water leak again.

● Filter flushing

1. Please flush filter more than 5 min after installation.
2. If water from outlet has strange taste or smell, please repeat 5 min flushing.

● Filter replacement

※ Remove old filter

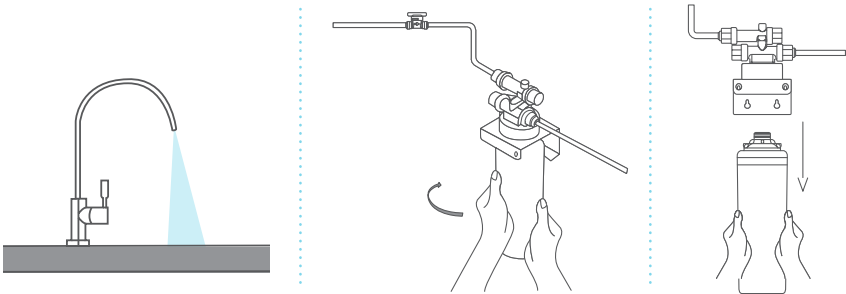
- ① Close tap water supply valve or ball valve. And release faucet valve to make pressure and water come out from the system.
- ② Turn the filter 90 degree to clockwise and remove filter.



Caution

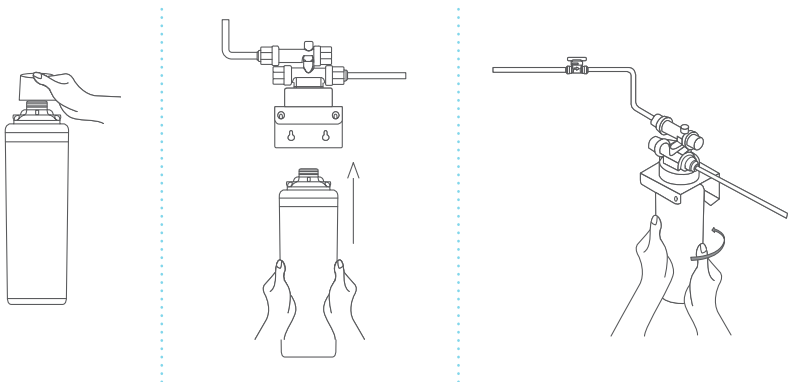
If the filter is removed without tap water or ball valve closing, the water may come out from head connector.

If the filter is removed without pressure release, water can be splashed with 'pop' sound.



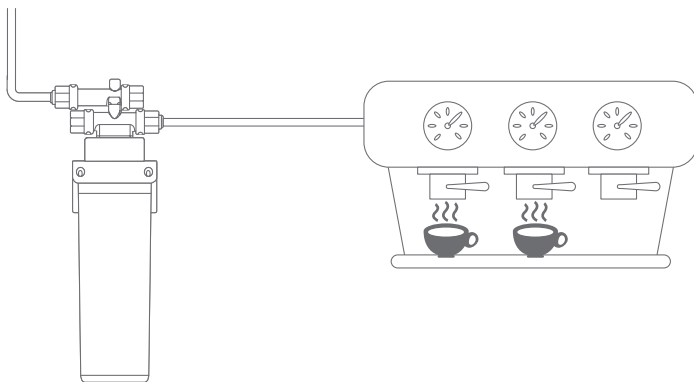
※ Put new filter

- ① Put new filter on head and turn 90 degree to clockwise until cannot be turned.
- ② Release tap water supply valve and ball valve slowly.
- ③ Check water leak on system.
- ④ Flush the filter for 5 min.



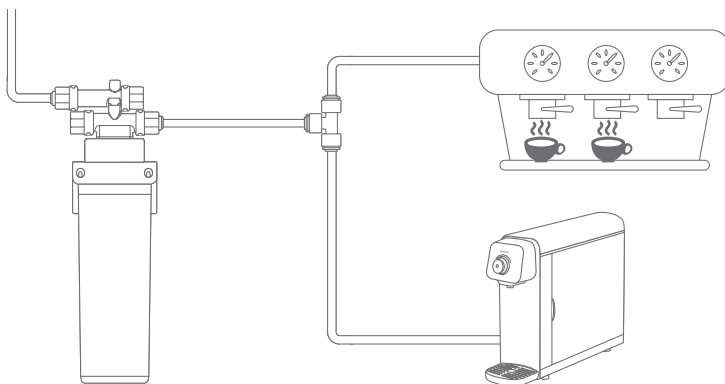
● Connect to single machine.

- ① Check the hose size to be connected.
 - ② Connect outlet fitting on head connector and machine by hose.
- ※ If the hose size is different, please use straight fittings.



● Connect to several machines at the same time.

- ① Check the hose size to be connected.
 - ② Connect outlet fitting on head connector to T fitting (Equal tee fitting) by hose.
 - ③ Connect T fitting to machines.
- ※ If the hose size is different, please use straight fittings.



If not followed by these instructions the product may not work properly. In case of product malfunction, please check below chart. Please contact us if you still have same problem.

Symptom	Check- up	Solution
The bad taste from the purified water.	<ul style="list-style-type: none"> - Isn't the water purifier used for a long time? - Isn't passed filter replacement period? 	<ul style="list-style-type: none"> - please flush the filter for 5 min. - Please install new filer authorized.
The water doesn't come out.	<ul style="list-style-type: none"> - Water still comes out from tap water? 	<ul style="list-style-type: none"> - Please release tap water supply valve or ball valve. - Please check hoses without loops or kinks. - Please check water still come out from the tap.
The flow rate of purified water is reduced suddenly.	<ul style="list-style-type: none"> - Is tap water supply valve or ball valve is not closed? - Isn't passed filter replacement period? 	<ul style="list-style-type: none"> - Please release tap water supply valve or ball valve. - Please install new filer authorized.
Too much noise	<ul style="list-style-type: none"> - Is the product contacted with other device? 	<ul style="list-style-type: none"> - Please install the product far away from the other device.
Floating matter on the purified water	<ul style="list-style-type: none"> - Isn't passed filter replacement period? 	<ul style="list-style-type: none"> - Please install new filer authorized.
Micro bubble in the purified water	<ul style="list-style-type: none"> - have flushed filter for enough time. 	<ul style="list-style-type: none"> - Please flush the filter for 5 min. While the filter is stabilized, the micro bubble (Cloudy water) could be found, and which is not harmful.
Leakage from the water purifier	<ul style="list-style-type: none"> - Water comes out from fitting area? 	<ul style="list-style-type: none"> - Please push hose in the fitting to the end. - Please contact our customer service center after close tap water supply valve or ball valve.

Product standard

pureal

Product name	PUREAL HYBRID WATER PURIFIER
Manufacturer	PICOGRAM CO.,LTD. / KOREA
Installation place	House / Office
Weight	3 kg
Size	W184 × D135 × H496 mm
Working pressure	0.7 ~ 8.8 kgf / cm ² (10psi ~ 125psi)
Temperature	4 ~ 38 °C