

EK-UC48R

UNDERCOUNTER REFRIGERATOR



FEATURES

NEMA 5-15P



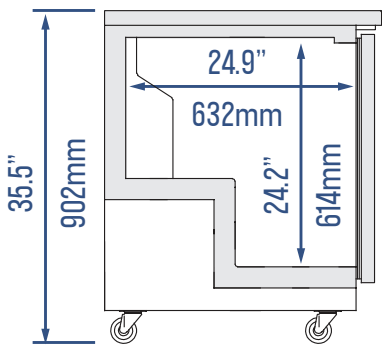
- CFC free refrigerant and foam insulation
- Electronic thermostat and digital LED temperature display for accurate control and easy reading
- Easy to mount 2.5" casters (lockable in front) are standard with all units
- Self-closing doors that remain open at 90 degrees
- Magnetic gasket can be replaced without any tools
- Adjustable, heavy-duty epoxy coated wire shelves (one per door)
- Stainless steel framework construction
- Auto defrosting and auto evaporation of condensation water
- Interior: 304 stainless steel
- Exterior: 430 stainless steel
- R-600A Natural refrigerant
- Temperature: 33 to 40°F / 0.5 to 4°C
- Electrical: 115/60/1 with NEMA 5-15P plug, 10ft cord

Specifications subject to change without notice

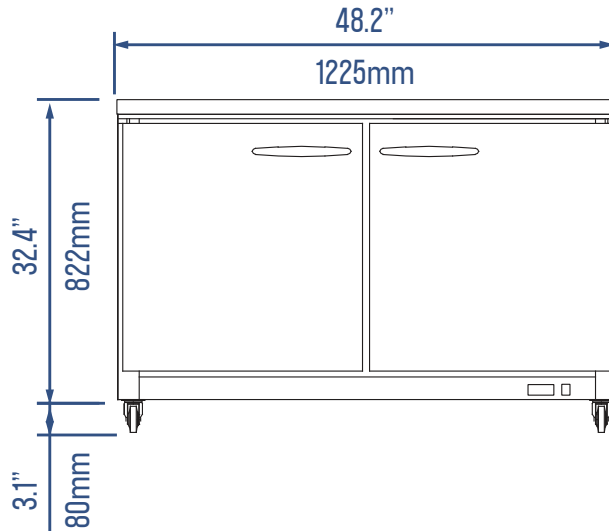
WARRANTY: One (1) Year Parts & Labor. Warranty commences on date of sale.



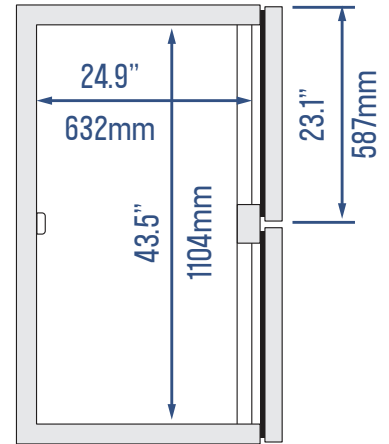
SIDE



FRONT



TOP



TECHNICAL SPECIFICATIONS

Model	Doors	Exterior Dimensions W x D x H	Interior Dimensions W x D x H	Amps	HP	Shipping Weight
EK-UC48R	2	48.2 x 29.9 x 35.5 in 1225 x 760 x 902 mm	43.5 x 24.9 x 24.2 in 1104 x 632 x 614 mm	3A	3/8	280 lbs 127 kg