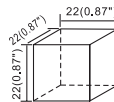
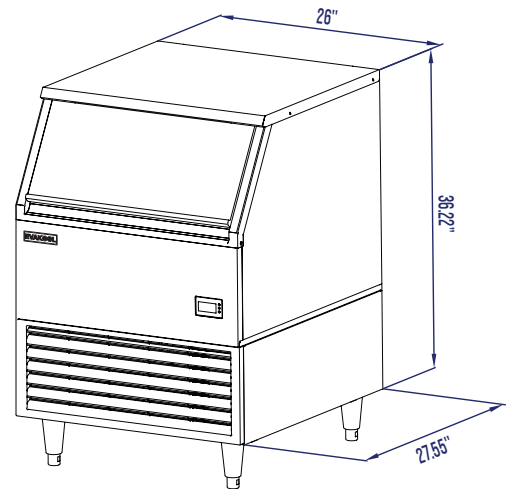


## EK-280

### SELF-CONTAINED ICE MACHINE



DICE

## TECHNICAL SPECIFICATIONS

NEMA 5-15P



Model	Ice Production Per 24/Hr <small>Water 75°F / Ambient 70°F</small>	Storage Capacity	Exterior Dimensions W x D x H	Shipping Dimensions W x D x H	Amps / Voltage	Refrigerant	Weight / Shipping Weight
EK-280	280 lbs	99 lbs	26 x 27.55 x 36.22 in	29.13 x 30.31 x 36.41 in	5.45A 110V	R290	120.6 lbs 131.8 lbs

Specifications subject to change without notice  
**WARRANTY:** Two (2) Years Parts & Labor. Warranty commences on date of sale.

