



Metal Design Group Pty Ltd

groundscrews.com.au

GROUND SCREWS AUSTRALIA



PRODUCT CATALOG

MODERN FOUNDATION CONSTRUCTION

efficient · no concrete · durable

INDEX



FCA - SERIES 1 & 2

Page 3 - 7



FM - SERIES 76 - 140

Page 8 - 16



FR - SERIES

Page 17 - 19



OS - SERIES 66 - 140

Page 20 - 30



U - SERIES 66 & 76

Page 31 - 39

FCA SERIES - FCA1 & FCA2



FCA1



FCA2



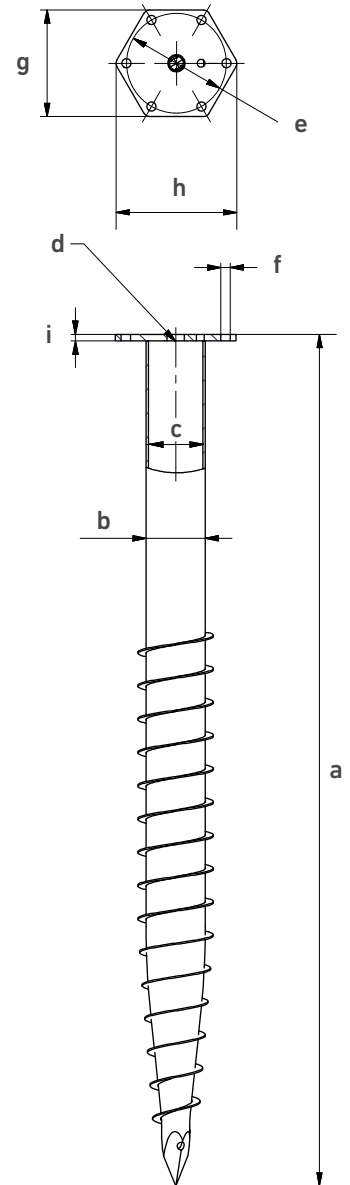
FCA 76x1600-1	FCA 76x1300-1	FCA 76x1000-1	FCA 76x800-1
Nominal length (mm)			
1600	1300	1000	800
Tube diameter (mm)			
76.10	76.10	76.10	76.10
Weight (kg)			
10.9	8.80	5.80	5.30
Thread count			
20	15	7.5	6
Wall thickness (mm)			
3.2	3.2	3.2	3.2
Material			
Steel HDG	Steel HDG	Steel HDG	Steel HDG
Item number			
25124	25122	25120	25118





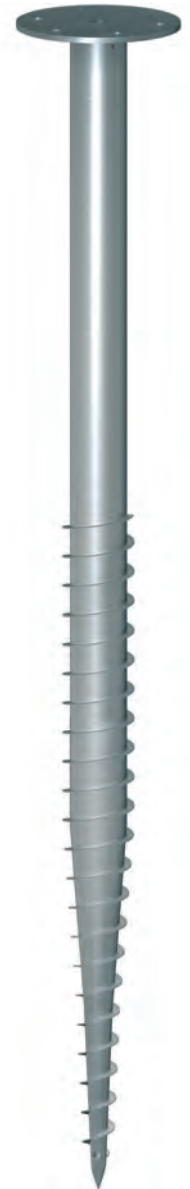
Technical Data

	FCA 76x1600-1	FCA 76x1300-1	FCA 76x1000-1	FCA 76x800-1
a	Length (mm) (± 25 mm)			
	1600	1300	1000	800
b	Shaft outer diameter (mm)			
	76.10	76.10	76.10	76.10
c	Inner diameter (mm)			
	69.70	69.70	69.70	69.70
d	Galvanizing drain hole (mm)			
	20	20	20	20
e	Pitch circle diameter (mm)			
	120	120	120	120
f	Pitch circle holes (mm)			
	6 x \varnothing 11	6 x \varnothing 11	6 x \varnothing 11	6 x \varnothing 11
g	Flange wrench size (mm)			
	130	130	130	130
h	Flange outer diameter (mm)			
	150	150	150	150
i	Flange thickness (mm)			
	5	5	5	5





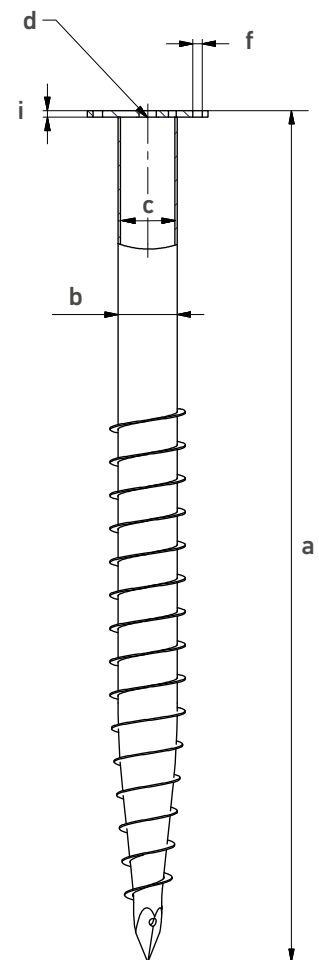
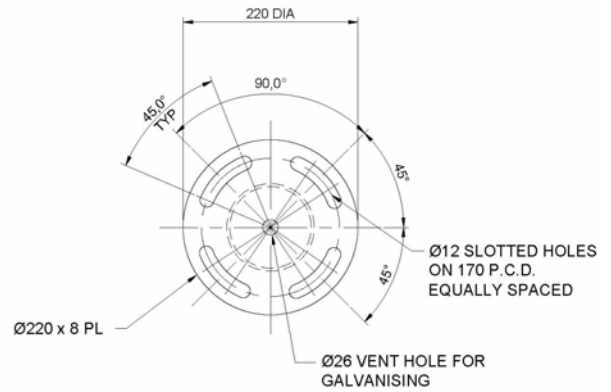
FCA 76x1300-2	FCA 76x1600-2	FCA 76x1800-2
Nominal length (mm)		
1300	1600	1800
Tube diameter (mm)		
76.10	76.10	76.10
Weight (kg)		
11.20	12.40	13.70
Thread count		
15	20	22
Wall thickness (mm)		
3.2	3.2	3.2
Item number		
25140	25142	25144





Technical Data

	FCA 76x1300-2	FCA 76x1600-2	FCA 76x1800-2
a	Length (mm) (± 25 mm)		
	1275	1575	1775
b	Shaft outer diameter (mm)		
	76.10	76.10	76.10
c	Inner diameter (mm)		
	69.70	69.70	69.70
d	Galvanizing drain hole (mm)		
	26	26	26
e	Pitch circle diameter (mm)		
	170	170	170
f	Pitch circle slotted hole size (mm)		
	4 x $\varnothing 12$	4 x $\varnothing 12$	4 x $\varnothing 12$
g	Slotted hole length (mm)		
	82	82	82
h	Flange outer diameter (mm)		
	220	220	220
i	Flange thickness (mm)		
	8	8	8



FM - SERIES 76 - 140





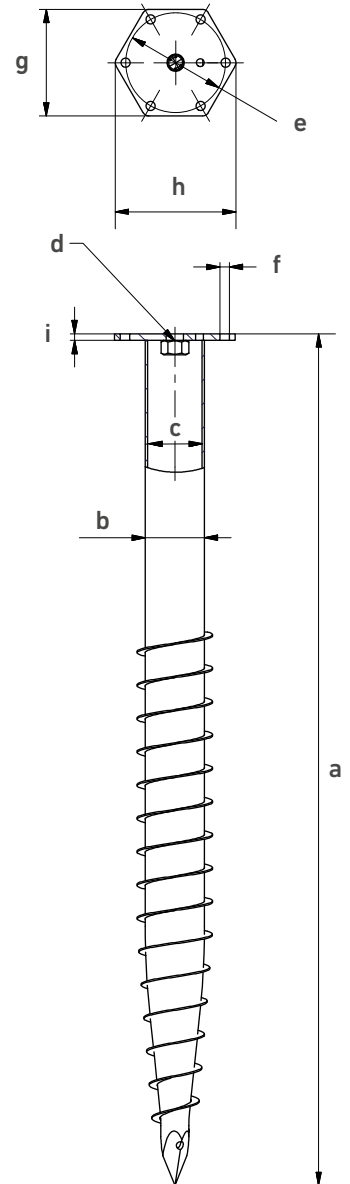
FM 76x1600-M16	FM 76x1300-M16	FM 76x1000-M16
Nominal length (mm)		
1600	1300	1000
Tube diameter (mm)		
76.10	76.10	76.10
Weight (kg)		
12.50	10.30	8.60
Thread count		
20	12	8
Wall thickness (mm)		
3.6	3.6	3.6
Item number		
25203	25202	25204





Technical Data

	FM 76x1600-M16	FM 76x1300-M16	FM 76x1000-M16
a	Length (mm) (± 25 mm)		
	1600	1300	1000
b	Shaft outer diameter (mm)		
	76.10	76.10	76.10
c	Inner diameter (mm)		
	68.90	68.90	68.90
d	Thread (mm)		
	M16	M16	M16
e	Pitch circle diameter (mm)		
	150	150	150
f	Pitch circle holes (mm)		
	6 x $\varnothing 14$	6 x $\varnothing 14$	6 x $\varnothing 14$
g	Flange wrench size (mm)		
	160	160	160
h	Flange outer diameter (mm)		
	182	182	182
i	Flange thickness (mm)		
	8	8	8





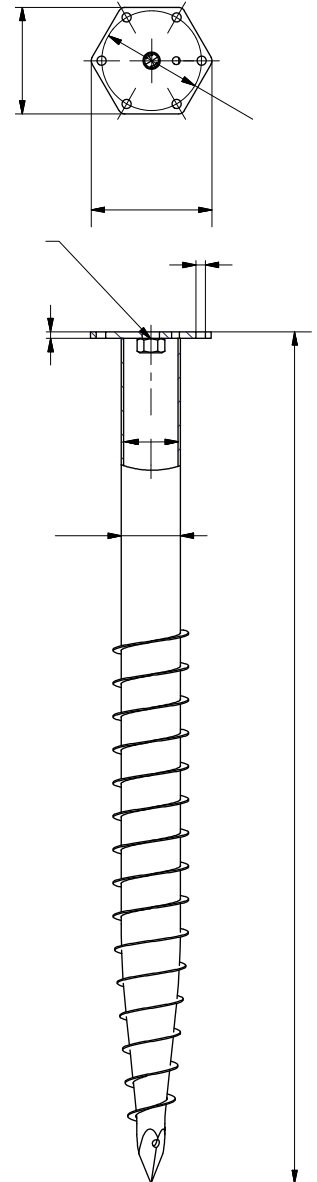
FM 89x2100-M24	FM 89x1600-M24	FM 89x1300-M24
Nominal length (mm)		
2100	1600	1300
Tube diameter (mm)		
88.90	88.90	88.90
Weight (kg)		
21.5	16.30	13.20
Thread count		
22	20	12
Wall thickness (mm)		
4.0	4.0	4.0
Item number		
25302	25301	25300





Technical Data

	FM 89x2100-M24	FM 89x1600-M24	FM 89x1300-M24
a	Length (mm) (± 25 mm)		
	2075	1575	1275
b	Shaft outer diameter (mm)		
	88.90	88.90	88.90
c	Inner diameter (mm)		
	80.90	80.90	80.90
d	Thread (mm)		
	M24	M24	M24
e	Pitch circle diameter (mm)		
	150	150	150
f	Pitch circle holes (mm)		
	6 x $\varnothing 14$	6 x $\varnothing 14$	6 x $\varnothing 14$
g	Flange wrench size (mm)		
	160	160	160
h	Flange outer diameter (mm)		
	182	182	182
i	Flange thickness (mm)		
	10	10	10





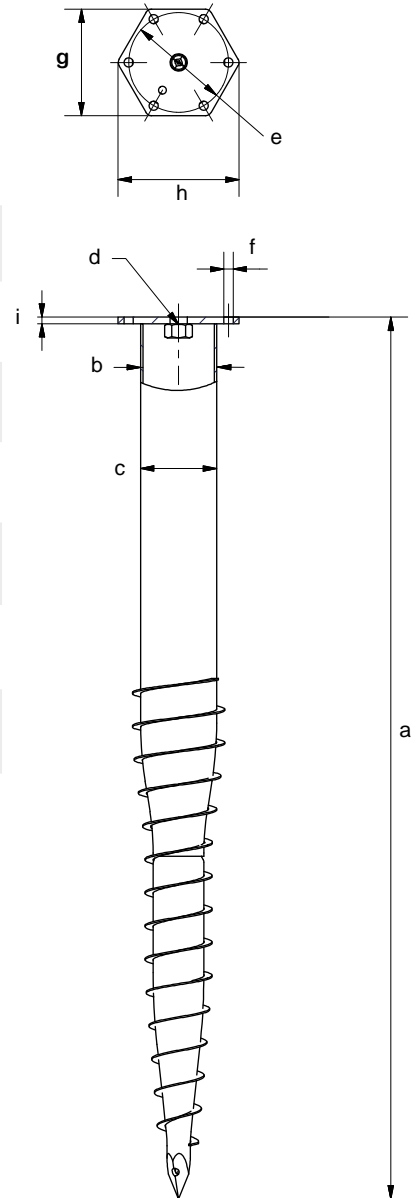
FM 114 x 2100-M24	FM 114 x 1600-M24	FM 114 x 1300-M24
Nominal length (mm)		
2100	1600	1300
Tube diameter (mm)		
114.30	114.30	114.30
Weight (kg)		
23.8	18.6	14.5
Thread count		
22	20	12
Wall thickness (mm)		
3.6	3.6	3.6
Item number		
25352	25351	25350





FM 114 x 2100-M24	FM 114 x 1600-M24	FM 114 x 1300-M24
-------------------	-------------------	-------------------

a	Length (mm) (± 25 mm)		
	2075	1575	1325
b	Shaft outer diameter (mm)		
	114.30	114.30	114.30
c	Inner diameter (mm)		
	107.10	107.10	107.10
d	Thread		
	M24	M24	M24
e	Pitch circle diameter (mm)		
	150	150	150
f	Pitch circle holes (mm)		
	6 x $\varnothing 14$	6 x $\varnothing 14$	6 x $\varnothing 14$
g	Flange wrench size (mm)		
	160	160	160
h	Flange outer diameter (mm)		
	182	182	182
i	Flange thickness (mm)		
	10	10	10





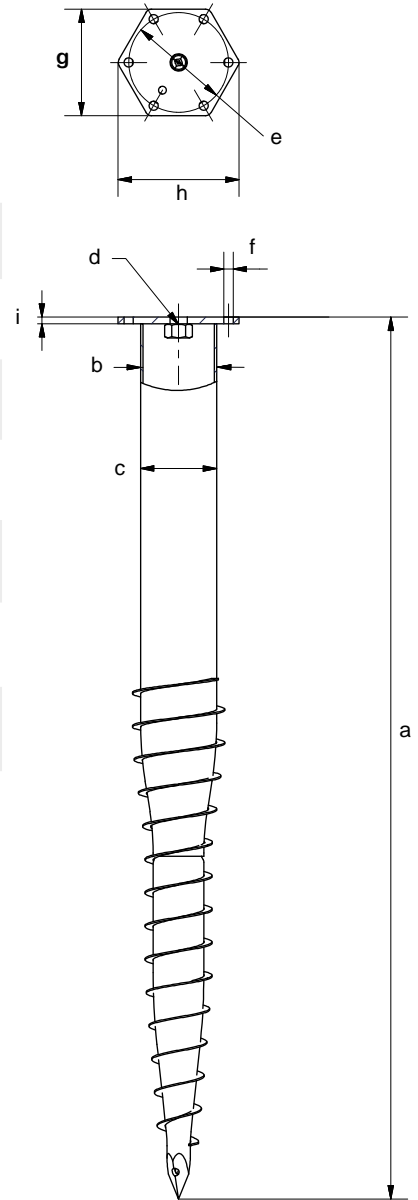
FM 140 x 2100-M24	FM 140 x 1600-M24	FM 140 x 1300-M24
Nominal length (mm)		
2100	1600	1300
Tube diameter (mm)		
139.70	139.70	139.70
Weight (kg)		
26.0	19.8	16.0
Thread count		
22	20	12
Wall thickness (mm)		
4.0	4.0	4.0
Item number		
25400	25402	25404





GROUND SCREWS AUSTRALIA

	FM 140 x 2100-M24	FM 140 x 1600-M24	FM 140 x 1300-M24
a Length (mm) (± 25 mm)	2075	1575	1325
b Shaft outer diameter (mm)	139.70	139.70	139.70
c Inner diameter (mm)	131.70	131.70	131.70
d Thread	M24	M24	M24
e Pitch circle diameter (mm)	150	150	150
f Pitch circle holes (mm)	6 x $\varnothing 14$	6 x $\varnothing 14$	6 x $\varnothing 14$
g Flange wrench size (mm)	160	160	160
h Flange outer diameter (mm)	182	182	182
i Flange thickness (mm)	10	10	10

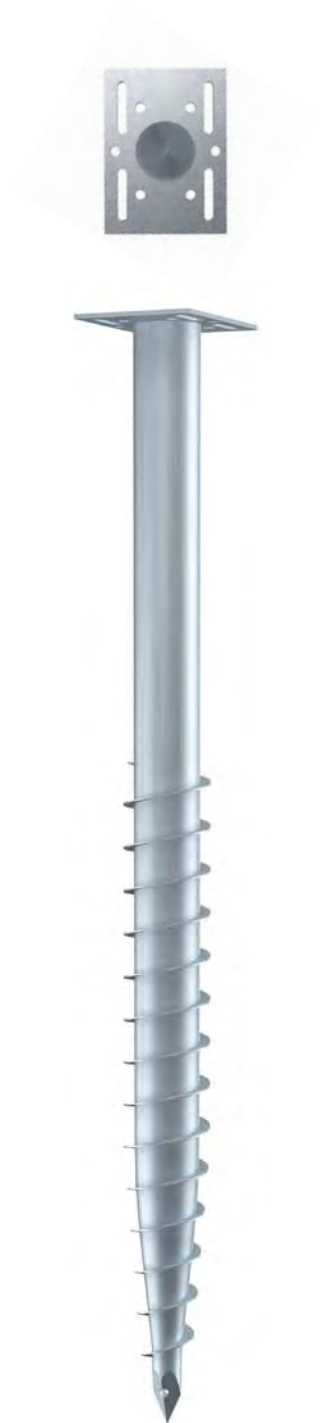


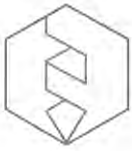
FR - SERIES





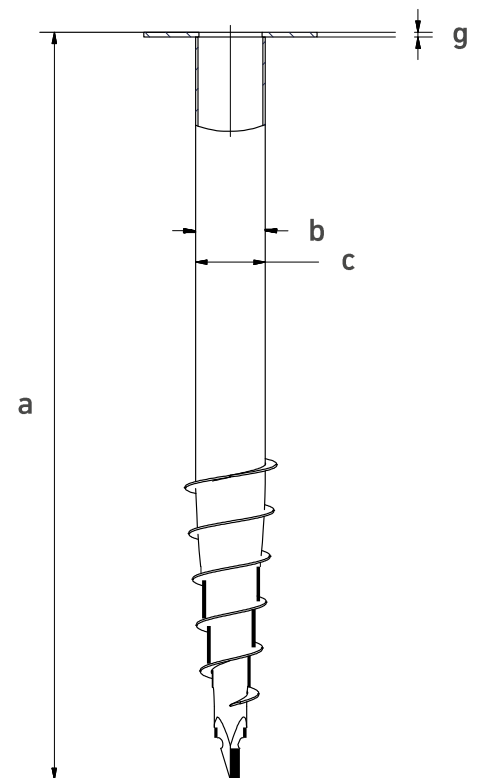
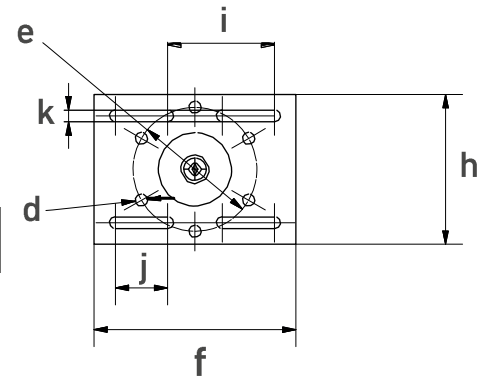
FR 76x1600	FR 76x1300	FR 76x1000	FR 76x800
Nominal length (mm)			
1600	1300	1000	800
Tube diameter (mm)			
76.10	76.10	76.10	76.10
Weight (kg)			
12.00	9.70	7.70	6.30
Wall thickness (mm)			
3.60	3.60	3.60	3.60
Item number			
25478	25477	25476	25475





Technical Data

	FR 76 x 1600	FR 76 x 1300	FR 76 x 1000	FR 76 x 800
a	Length (mm) (± 25 mm)			
	1600	1300	1000	800
b	Shaft outer diameter (mm)			
	76.10	76.10	76.10	76.10
c	Inner diameter (mm)			
	68.90	68.90	68.90	68.90
d	Hole diameter (mm)			
	6 x 11	6 x 11	6 x 11	6 x 11
e	Pitch circle diameter (mm)			
	120	120	120	120
f	Flange length (mm)			
	189	189	189	189
g	Flange thickness (mm)			
	5	5	5	5
h	Flange width (mm)			
	140	140	140	140
i	Oblong hole grid size (mm)			
	100	100	100	100
j	Oblong hole length (mm)			
	49	49	49	49
k	Oblong hole diameter (mm)			
	11	11	11	11



OS - SERIES 66 - 140





GROUND SCREWS AUSTRALIA

OS 66x650-4xM8

Nominal length (mm)
650

Tube diameter (mm)
66.0

Weight (kg)
2.80

Wall Thickness (mm)
2.5

Item number
25452

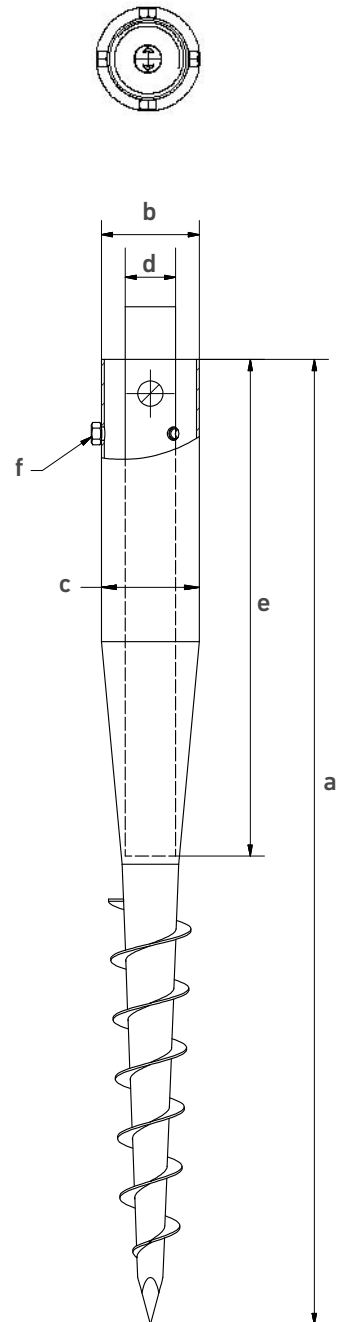




Technical Data

OS 66x650-4xM8

a	Length (mm) (± 25 mm) 650
b	Shaft outer diameter (mm) 66.0
c	Inner diameter (mm) 61.0
d	Diameter setting (mm) 62 55.5 50 43 38.5 34
e	Depth setting (mm) (± 25 mm) 210 228 245 276 317 395
f	Thread 4 x M8





GROUND SCREWS AUSTRALIA

OS 76X1300-4xM12	OS 76x1000-4xM12	OS 76x800-4xM12
Nominal length (mm) 1300	1000	800
Tube diameter (mm) 76.10	76.10	76.10
Weight (kg) 8.30	6.30	5.00
Wall Thickness (mm) 3.20	3.20	3.20
Item number 24085	24084	24083

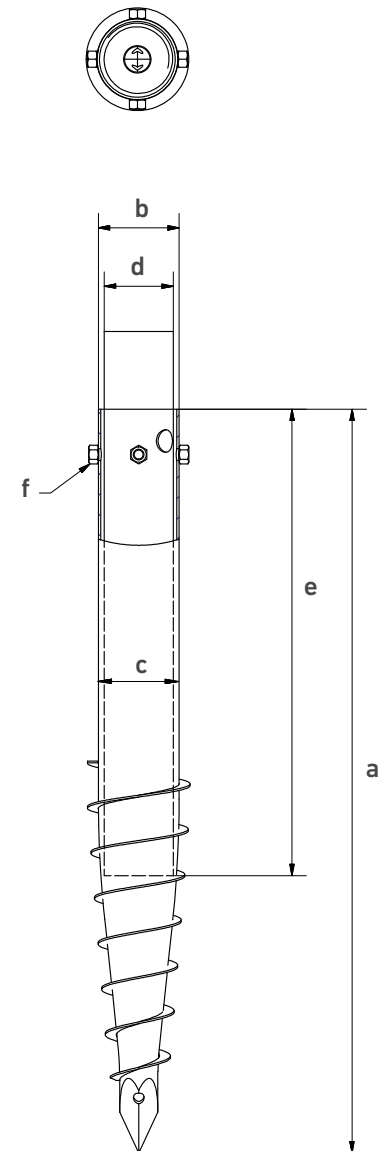


OS 76x800 to
1300-4xM12



Technical Data

	OS 76x1300-4xM12	OS 76x1000-4xM12	OS 76x800-4xM12
a	Length (mm) (± 25 mm)		
	1275	975	775
b	Shaft outer diameter (mm)		
	76.10	76.10	76.10
c	Inner diameter (mm)		
	69.70	69.70	69.70
d	Diameter setting (mm)		
	70 60 48 40 34	70 60 48 40 34	70 60 48 40 34
e	Depth setting (mm) (± 25 mm)		
	970 1020 1055 1090	780 830 855 900	460 590 650 690 730
f	Thread		
	4 x M12	4 x M12	4 x M12





GROUND SCREWS AUSTRALIA

OS 89X1300-4xM12	OS 89x1000-4xM12	OS 89x800-4xM12
Nominal length (mm) 1300	1000	800
Tube diameter (mm) 88.90	88.90	88.90
Weight (kg) 8.00	6.80	6.00
Wall Thickness (mm) 3.60	3.60	3.60
Item number 25459	25458	25457

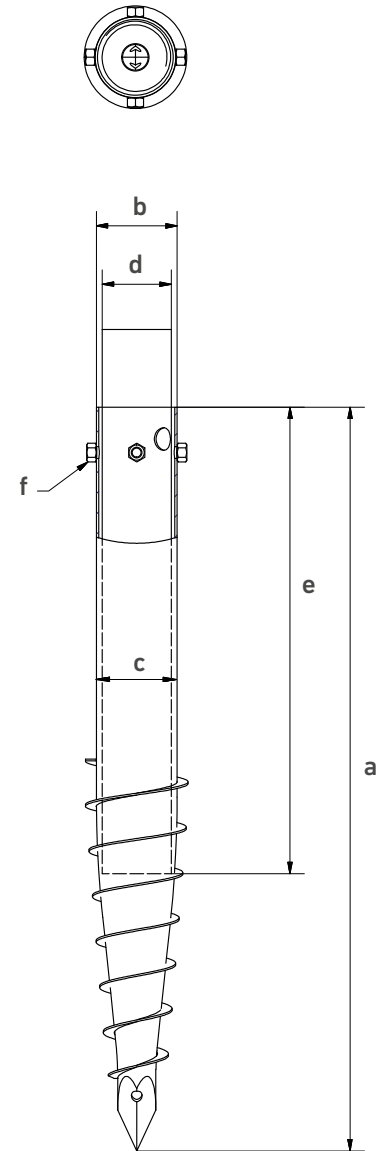


OS 89x800 to
1300-4xM12



Technical Data

	OS 89x1300-4xMx12	OS 89x1000-4xM12	OS 89x800-4xM12
a	Length (mm) (± 25 mm)		
	1280	1000	800
b	Shaft outer diameter (mm)		
	88.90	88.90	88.90
c	Inner diameter (mm)		
	81.70	81.70	81.70
d	Diameter setting (mm)		
	76 40x60 60 48	76 40x60 60 48	76 40x60 60 48
e	Depth setting (mm) (± 25 mm)		
	970 1020 1055 1090	780 830 855 900	520 570 600 640
f	Thread		
	4 x M12	4 x M12	4 x M12





GROUND SCREWS AUSTRALIA

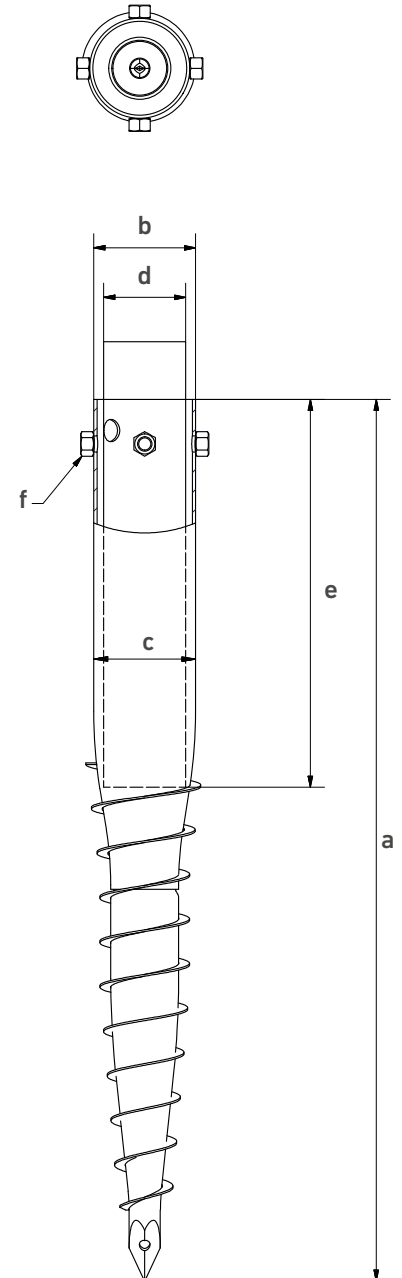
OS 114x1600-4xM16	OS 114x1300-4xM16	OS 114x1000-4xM16
Nominal length (mm) 1600	1300	1000
Tube diameter (mm) 114.30	114.30	114.30
Weight (kg) 19.00	15.10	11.50
Wall Thickness (mm) 4.00	4.00	4.00
Item number 25462	25461	25460





Technical Data

	OS 114x1600-4xM16	OS 114x1300-4xM16	OS 114x1000-4xM16
a	Length (mm) (± 25 mm)		
	1575	1275	975
b	Shaft outer diameter (mm)		
	114.30	114.30	114.30
c	Inner diameter (mm)		
	106.30	106.30	106.30
d	Diameter setting (mm)		
	100 90 80 76	100 90 80 76	100 90 80 76
e	Depth setting (mm) (± 25 mm)		
	790 840 870 890	490 540 570 590	350 400 440 460
f	Thread		
	4 x M16	4 x M16	4 x M16





GROUND SCREWS AUSTRALIA

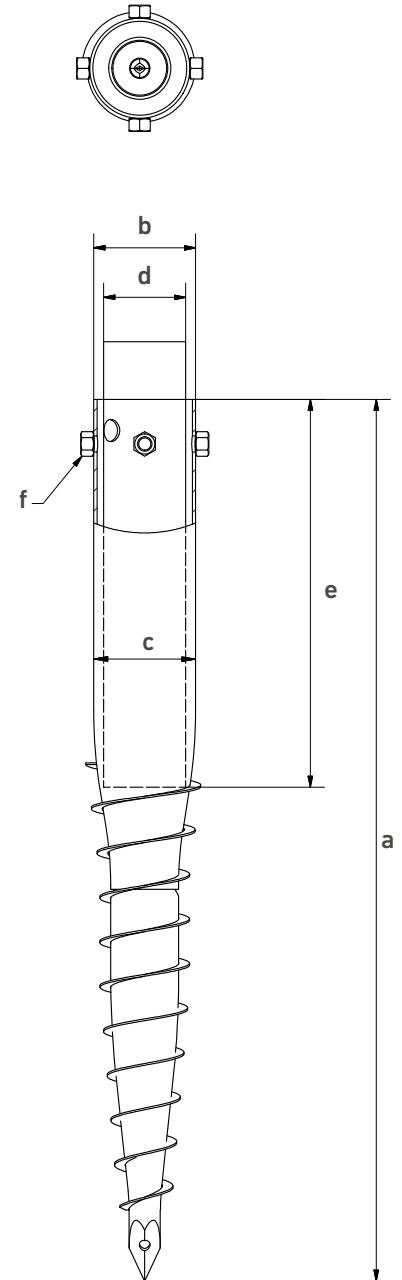
OS 140x2100-4xM16	OS 140x1600-4xM16	OS 140x1300-4xM16
Nominal length (mm) 2100	1600	1300
Tube diameter (mm) 139.70	139.70	139.70
Weight (kg) 26.00	19.50	16.00
Wall Thickness (mm) 4.00	4.00	4.00
Item number 25471	25472	25473





Technical Data

	OS 140x2100-4xM16	OS 140x1600-4xM16	OS 140x1300-4xM16
a	Length (mm) (± 25 mm)		
	2100	1600	1300
b	Shaft outer diameter (mm)		
	139.70	139.70	139.70
c	Inner diameter (mm)		
	131.70	131.70	131.70
d	Diameter setting (mm)		
	120 100 90 80	120 100 90 80	120 100 90 80
e	Depth setting (mm) (± 25 mm)		
	790 840 870 890	490 540 570 590	350 400 440 460
f	Thread		
	4 x M16	4 x M16	4 x M16



U - SERIES 66 & 76



U 66



U 76



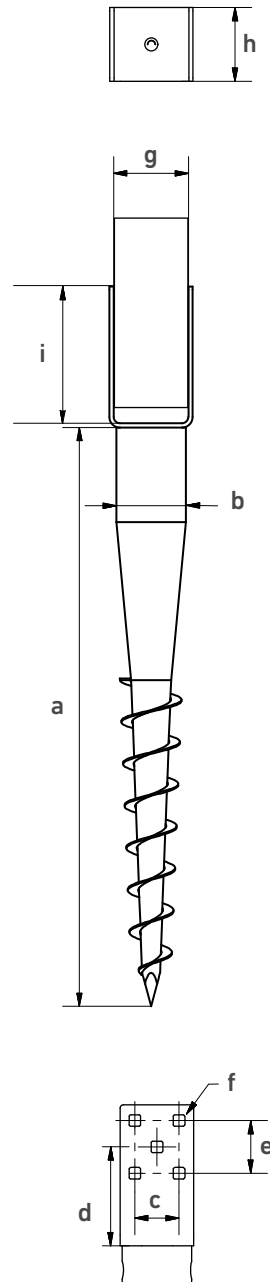
U 66x865-71	U 66x730-71	U 66x550-71
Nominal length (mm)		
865	730	550
Tube diameter (mm)		
66.0	66.0	66.0
Weight (kg)		
2.80	2.60	2.20
Thread count		
12	10	8
Wall thickness (mm)		
3.2	3.2	3.2
Item number		
21067	21063	21060





Technical Data

	U 66x865-71	U 66x730-71	U 66x550-71
a	Length (mm) (± 25 mm)		
	865	730	550
b	Shaft outer diameter (mm)		
	66.0	66.0	66.0
c	Square hole spacing (mm)		
	42	42	42
d	Center square hole spacing (mm)		
	90	90	90
e	Square hole spacing (mm)		
	50	50	50
f	Square hole size (mm)		
	11	11	11
g	U-saddle size (mm)		
	71	71	71
h	U-saddle depth (mm)		
	70	70	70
i	U-saddle height (mm)		
	130	130	130





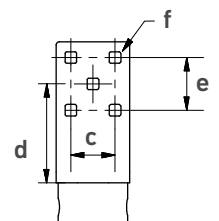
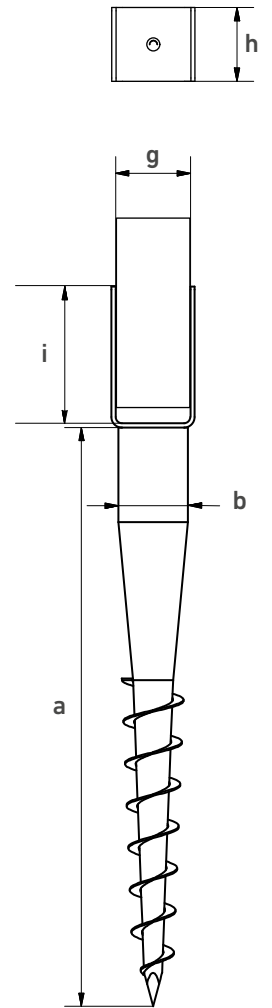
U 66x1065-91	U 66x865-91	U 66x730-91
Nominal length (mm)		
1065	865	730
Tube diameter (mm)		
66.0	66.0	66.0
Weight (kg)		
5.40	4.50	3.50
Thread count		
12	10	8
Wall thickness (mm)		
2.6	2.6	2.6
Item number		
21069	21065	21061





Technical Data

	U 66x1065-91	U 66x865-91	U 66x730-91
a	Length (mm) (± 25 mm)		
	1065	865	730
b	Shaft outer diameter (mm)		
	66.0	66.0	66.0
c	Square hole spacing (mm)		
	42	42	42
d	Center square hole spacing (mm)		
	90	90	90
e	Square hole spacing (mm)		
	50	50	50
f	Square hole size (mm)		
	11	11	11
g	U-saddle size (mm)		
	91	91	91
h	U-saddle depth (mm)		
	70	70	70
i	U-saddle height (mm)		
	130	130	130





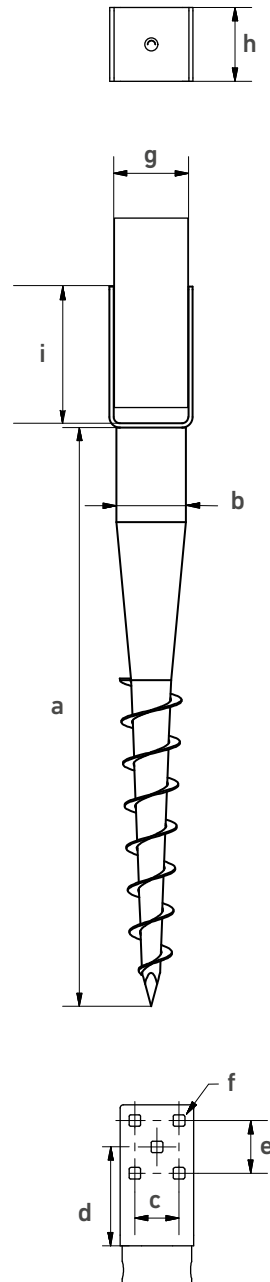
U 66x1065-111	U 66x865-111	U 66x730-111
Nominal length (mm)		
1065	865	730
Tube diameter (mm)		
66.0	66.0	66.0
Weight (kg)		
3.20	2.90	2.80
Thread count		
12	10	8
Wall thickness (mm)		
2.6	2.6	2.6
Item number		
21064	21066	21062





Technical Data

	U 66x1065-111	U 66x865-111	U 66x730-111
a	Length (mm) (± 25 mm)		
	1065	865	730
b	Shaft outer diameter (mm)		
	66.0	66.0	66.0
c	Square hole spacing (mm)		
	42	42	42
d	Center square hole spacing (mm)		
	90	90	90
e	Square hole spacing (mm)		
	50	50	50
f	Square hole size (mm)		
	11	11	11
g	U-saddle size (mm)		
	111	111	111
h	U-saddle depth (mm)		
	70	70	70
i	U-saddle height (mm)		
	130	130	130





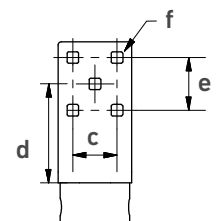
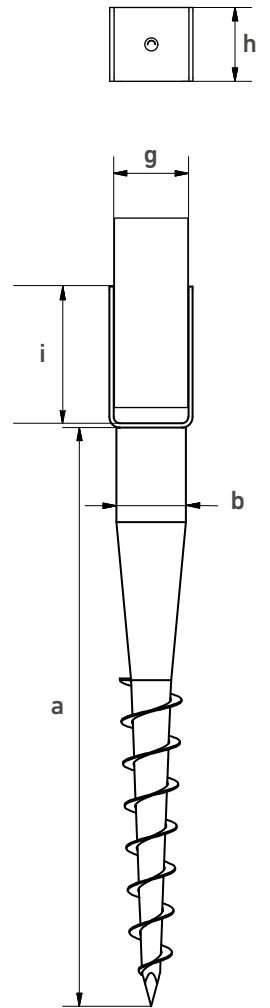
U 76 x 1600-91	U 76x1300-91	U 76 x 1000-91
Nominal length (mm) 1600	1300	1000
Tube diameter (mm) 76.1	76.1	76.1
Weight (kg) 11.30	9.70	8.1
Thread count 12	10	8
Wall thickness (mm) 3.6	3.6	3.6
Material Steel HDG	Steel HDG	Steel HDG
Item number 21070	21071	21072





Technical Data

	U 76 x 1600-91	U 76 x 1300-91	U 76 x 1000-91
a	Length (mm) (± 25 mm)		
	1600	1300	1000
b	Shaft outer diameter (mm)		
	76.1	76.1	76.1
c	Square hole spacing (mm)		
	42	42	42
d	Center square hole spacing (mm)		
	90	90	90
e	Square hole spacing (mm)		
	50	50	50
f	Square hole size (mm)		
	11		11
g	U-saddle size (mm)		
	91	91	91
h	U-saddle depth (mm)		
	90	90	90
i	U-saddle height (mm)		
	130	130	130





GROUND SCREWS AUSTRALIA

Metal Design Group Pty Ltd t/as Ground Screws Australia
Unit 6 , 3 Hitech Drive, Kunda Park QLD 4556
hello@groundscrews.com.au - www.groundscrews.com.au