

LVNI绿零®

AILIPUSH®

LVNI BEIJING BRANCH

Address: No. 49, Gaolou Village, Malian Road, Fengtai District, Beijing

LVNI SHANGHAI BRANCH

Address: Room 211, No. 1, Weiguang Qingchuang Base, No. 523-525, Jiasong Middle Road, Qingpu District, Shanghai

LVNI SHENZHEN BRANCH

Address: No. 26, Putian Road, Bainikeng Community, Pinghu Street Office, Longgang District, Shenzhen

LVNI CHENGDU BRANCH

Address: 2nd Floor, Building C, Xinwulian Port Food Packaging Machinery Trading Center, No. 1988 Xingcheng Avenue, Xindu District, Chengdu

LVNI HUNAN BRANCH

Address: No. 4451-4495, 4th Floor, Hall 3, Yuetang International Trade City, No. 88, Hetang Road, Furong Avenue, Yuetang District, Xiangtan City, Hunan Province

LVNI HUNAN PRODUCTION BASE

Address: Jianye Road, Economic and Technological Development Zone, Lengshuitan District, Yongzhou City, Hunan Province

LVNI Overseas Business Department

Add.: No. 701, Building Chengye Skycraper, Panyu District, Guangzhou City

Contact: Maggie

Mobile/Wechat/Whatsapp: +861892758397

Email: sales1@lvni-greenlife.com

Web: www.lvniifridge.com

Alibaba: <https://greenlifelifehotel.en.alibaba.com>

绿零科技产品画册

LVNI TECH. CATALOGUE



服务热线: 400-169-8839

注: 本公司有保留更改产品规格、型号、外观及功能的权利, 届时恕不另行通知, 具体请以实物为准。



绿零微信公众号



This is the
Greenlife
Be With You
Fan-cooling
Refrigerator
Pick LVNI

绿生活 ■ 零距离风冷冷柜选绿零

LVNI Technology/绿零科技

公司概况

绿零科技（广州）总部成立于2011年，注册资本1000万元，现有员工150人，是一家以中高端商厨风冷冷柜、冷链柜、智能冷柜、星级酒店和单位厨房设备工程解决方案为主，集科研、设计、生产、销售、贸易于一体的高新技术企业。

公司目前拥有广州营销总部、北京分公司、上海分公司、成都分公司、深圳分公司、长沙分公司以及位于湖南省永州市经济技术开发区3万平米的商厨冷柜制造基地。

公司产品

公司的产品囊括商厨节能风冷冷柜、自动售货机、冷库、生鲜冷链和非标定制冷柜等，主要服务于酒店、餐饮和高端会所、智能家居、生物科技、农业产品等领域。目前持有“LVNI绿零”、“AILIPUSH”、“赛零斯”、“睡鲨”四大品牌。和全球40多个国家和地区有贸易往来，出口总量不断增加，与国内外诸多优质品牌客户保持合作伙伴关系。

发展历程

11年风雨兼程，公司持续深耕商用冷柜领域，发展势头极为迅猛。先后成立了广州艾力普斯制冷设备有限公司（2013年4月成立冷柜智造工厂）、上海绿零制冷科技有限公司（2016年1月成立上海分公司）、北京绿零智能设备有限公司（2016年3月成立北京分公司）、成都分公司（2017年7月）、湖南分公司（2018年12月）、湖南绿零智能科技股份有限公司（2019年9月成立湖南智造工厂，占地50亩）、深圳分公司（2021年4月）。

绿零科技已经发展成为集商厨风冷冷柜研发、生产和销售于一体的综合性企业，致力为客户提供有竞争力的商厨设备解决方案和服务，是全球众多知名酒店的重要供应商。

“LVNI绿零”已经成为商厨冷柜全球代表性品牌之一。

绿零科技以创建全球知名企业和知名品牌为最高使命，目前已在湖南股权所挂牌，将争取2026年在北交所IPO上市。

研发创新

绿零科技一直将研发创新做为核心竞争力来打造，致力为人们提供科技、绿色、节能的最好产品，为广大用户提供智能共享的最优服务。为满足不同类型客户的需求，公司不断创新，自2015年陆续推出“节能冷柜”、“物联网风冷冷柜”、“个性化定制冷柜”、“变频冷柜”等领域的解决方案，围绕客户的需求和技术领先持续创新，与各行业伙伴保持开放性合作，持续为客户创造价值。

公司目前拥有2项发明专利、13项实用性专利，自主研发的模块化机组，拥有装卸方便、节省空间、制冷快速、节电降损等特点。公司核心产品均具有自主知识产权，已经通过20多项国内外认证，包括ISO三体系、食品接触产品安全、能效等级、盐雾测试、防霉测试、防干扰噪音测试、五星售后、3C、CE、ROHS、MSDS、SASO等认证。质量检测把控方面，设有独立测试中心，测试设备种类齐全，管理规范，要求严苛，产品及零部件均参考国际标准进行设计和检测，保证产品的安全性和稳定性。

公司荣誉

绿零科技先后荣膺“广东省AAA级信用企业”、“广东省著名品牌”、“广东省守合同重信用企业”、“2014中国酒店用品行业冷藏设备最受欢迎品牌”等多项殊荣，“湖南绿零智能科技股份有限公司”先后荣获“高新技术企业”、“A级纳税企业”、“AAA级信用企业”、“湖南省专精特新小巨人企业”等殊荣。

企业文化

价值观：自强共创，快乐共赢。

企业使命：打造绿色品牌，创享智能科技，提供有竞争力的

的商厨设备解决方案与服务。

企业愿景：成为被信赖的全球化企业。

企业模式：物联网+品牌智造+平台服务。

服务理念：绿生活，零距离。

管理理念：遵法而人性化，团结而自立化。

品牌传播语：风冷冷柜选绿零

LVNI Technology

COMPANY OVERVIEW

LVNI Group was established in 2011 with a registered capital of 10 million RMB and 150 employees. It is a high-tech enterprise that provides mid-to-high-end commercial kitchen air-cooled refrigerators, cold chain cabinets, smart refrigerators, star hotels and kitchen equipment solutions, integrating scientific research, design, production, sales and trade.

LVNI Group currently has Guangzhou marketing headquarters, Beijing branch, Shanghai branch, Chengdu branch, Shenzhen branch, Changsha branch and a 30,000-square-meter manufacturing base located in Yongzhou Economic and Technological Development Zone, Hunan Province.

COMPANY PRODUCTS

LVNI's products include commercial kitchen energy-saving air-cooled refrigerators, vending machines, cold storage, fresh cold chain and non-standard customized refrigerators, etc., mainly serving hotels, catering, high-end clubhouse, smart home, biotechnology, agricultural products and other fields. Currently holding four brands "LVNI", "AILIPUSH", "Sai Lingsi" and "Sleeping Shark". It has trade relations with more than 40 countries and regions in the world, the total export volume is increasing continuously, and it maintains partnerships with many high-quality brand customers at home and abroad.

DEVELOPMENT PATH

After 11 years of ups and downs, LVNI Group has continued to deepen the field of commercial refrigerators, and its development momentum is extremely rapid. It has successively established Guangzhou Ailipush Refrigeration Equipment Co., Ltd., Shanghai LVNI Refrigeration Technology Co., Ltd., Beijing LVNI Intelligent Equipment Co., Ltd., Hunan LVNI Intelligent Technology Co., Ltd., Chengdu Branch and Shenzhen Branch.

LVNI Group has developed into a comprehensive enterprise integrating R&D, production and sales of commercial kitchen air-cooled refrigerators. It is committed to providing customers with competitive commercial kitchen equipment solutions and services, and is an important supplier of many well-known hotels around the world. "LVNI" has become one of the global representative brands of commercial kitchen refrigerators.

LVNI Group takes creating a world-renowned enterprise and brand as its highest mission. It is currently listed on the Hunan Equity Exchange and will strive for an IPO listing on the Beijing Stock Exchange in 2026.

INNOVATION

LVNI Group has always built R&D and innovation as its core competitiveness, and is committed to providing people with the best technology, green, and energy-saving products, and providing users with the best services of intelligent sharing. In order to meet the needs of different types of customers, the company continues to innovate. Since 2015, it has successively launched solutions in the fields of "energy-saving refrigerators", "Internet of Things air-cooled refrigerators", "personalized customized refrigerators", and "frequency conversion refrigerators".

Focusing on customer needs and technology leadership, it continues to innovate, maintains open cooperation with various industry partners, and continues to create value for customers.

LVNI Group currently has 2 invention patents and 13 practical patents. The self-developed modular unit has the characteristics of convenient loading and unloading, space saving, fast cooling, power saving and loss reduction. The company's core products have independent intellectual property rights, and have passed more than 20 domestic and foreign certifications, including ISO, CVC, energy efficiency test, salt spray test, mildew test, anti-interference noise test, five-star after-sales service, 3C, CE, ROHS, MSDS, SASO and other certifications. In terms of quality inspection and control, there is an independent testing center with a complete range of testing equipment, standardized management, and strict requirements. Products and components are designed and tested with reference to international standards to ensure product safety and stability.

HONOR

LVNI Group has successively won many honors such as "Guangdong Province AAA Credit Enterprise", "Guangdong Province Famous Brand", "Guangdong Province Contract-abiding and Credit-honoring Enterprise", "China's Most Popular Brand of Refrigeration Equipment in the Hotel Supplies Industry", "High-tech Enterprise", "A-level Taxpaying Enterprise", etc.

COMPANY CULTURE

Values: Self-improvement and co-creation, happiness and win-win.

Mission: Build a green brand, create and enjoy intelligent technology, provide competitive commercial kitchen equipment solutions and services.

Vision: To become a trusted global enterprise.

Enterprise Model: Internet of Things + Intelligent Brand + Platform Services.

Service Concept: Green life, zero distance.

Management Philosophy: Law-abiding and humane, united and independent.

Brand Slogan: Fan-cooling Refrigerator Pick LVNI

Related certificates/相关证书



绿零集团官网 LVNI Group Website: www.lvni.net

LVNI overseas official website: www.lvniifridge.com

LVNI Alibaba International: <https://greenlifelifehotel.en.alibaba.com>

01

B系列
B SERIES**S系列B款高身风冷冷柜**

S Series B Air-cooled Upright Chiller & Freezer

S系列B款卧式风冷冷柜

S Series B Air-cooled Counter Chiller & Freezer

S系列B款吧台风冷冷柜

S Series B Air-cooled Bar Fridge

11

G系列
G SERIES**S系列G款商用风冷冷柜**

S Series G Air-cooled Upright Chiller & Freezer

S系列G款卧式风冷冷柜

S Series G Air-cooled Counter Chiller & Freezer

S系列G款立式插盘风冷冷柜

S Series G Air-cooled Upright Plug-in Chiller & Freezer With Trays

S系列G款卧式披萨风冷冷柜

S Series G Air-cooled Pizza Refrigerator

S系列G款卧式沙拉风冷冷柜

S Series G Air-cooled Salad Refrigerator

台上式沙拉台

Countertop Salad Table

S系列G款卧式抽屉风冷冷柜

S Series G Air-cooled Counter Chiller & Freezer With Drawers

25

TG系列
TG SERIES**TG款高身雪柜系列**

Tg Series Air-cooled Upright Chiller & Freezer

TG款平台雪柜系列

Tg Series Air-cooled Counter Chiller & Freezer

31

GN系列
GN SERIES**GN款高身雪柜系列 31**

Gn Series Air-cooled Upright Chiller & Freezer

GN款平台雪柜系列 34

Gn Series Air-cooled Counter Chiller & Freezer

37

宴会冷、热柜系列**BANQUET CART CHILLER & WARMER**

39

炉台柜系列**CHEF BASE REFRIGERATOR SERIES**

41

速冻柜系列**QUICK FREEZER SERIES****速冻柜-40°C 41**

Blast Freezer -40°C

深冷(风冷)速冻柜-80°C 45

Blast Freezer -80°C

47

推入雪柜系列**PUSH-IN FRIDGE & FREEZER SERIES**

49

饮料展示柜系列**BEVERAGE COOLER SERIES**

51

展示柜系列**DISPLAY CABINET SERIES****红酒展示柜系列 51**

Wine Fridge Display

饮料展示柜系列 53

Beverage Display

55

冰淇淋展示柜系列**ICE CREAM SHOWCASE SERIES****落地式单排冰淇淋展示柜 55**

SINGLE ROW ICE CREAM SHOWCASE

落地式双排冰淇淋展示柜 57

DOUBLE ROW ICE CREAM SHOWCASE

59

蛋糕柜系列**CAKE DISPLAY SERIES**

61

寿司展示柜系列**SUSHI DISPLAY CABINET SERIES**

63

风幕柜系列**AIR CURTAIN CABINET SERIES**

65

牛肉展示柜系列**BEEF DISPLAY CABINET SERIES****牛肉展示柜 67**

Beef Display Cabinet Series

牛肉熟成柜 68

Beef Aging Cabinet Series

69

定制系列**CUSTOMIZED SERIES****晾鸭风干柜 69**

Duck Drying Cabinet

烧腊柜 70

Roast Meat Cabinet

醒发箱 71

Proof Box

解冻柜 72

Thawing Cabinet

储鱼柜 73

Fish Storage Cabinet

冰台 74

Ice Platform

挂墙柜 75

Wall Mounted Cabinet

嵌入式冷藏井 76

Embedded Refrigerated Well

B | S系列B款高身雪柜

S SERIES B AIR-COOLED UPRIGHT CHILLER & FREEZER



固定不可拆卸机组

Fixable compressor unit

- ① 制冷机组不可拆卸式设计
- ② 机组机身一体化固定、牢靠



可拆卸过滤网设计

Detachable dust filter

- ① 冷凝器过滤网可拆卸设计
- ② 方便日常清洁或维护



品牌压缩机

Wanbao compressor

- ① 高效率 ② 低能耗 ③ 低维修率



智能温控器

Smart thermostat

- ① 数字温控 ② 精准控温 ③ 精确到0.1°C



风循环制冷

Fierce fan cooling circulation

- ① 风冷无霜 ② 制冷快速 ③ 冷气均匀



加厚可调层架

Thickened adjustable shelf

- ① 可调节层架 ② 灵活掌控空间



圆角内胆

Fillet liner

- ① 圆角内胆 ② 方便储存 ③ 易清洁



360°万向轮脚

360° universal wheel foot

- ① 带刹车万向轮脚 ② 方便移动又稳固



自动蒸发水冷凝器

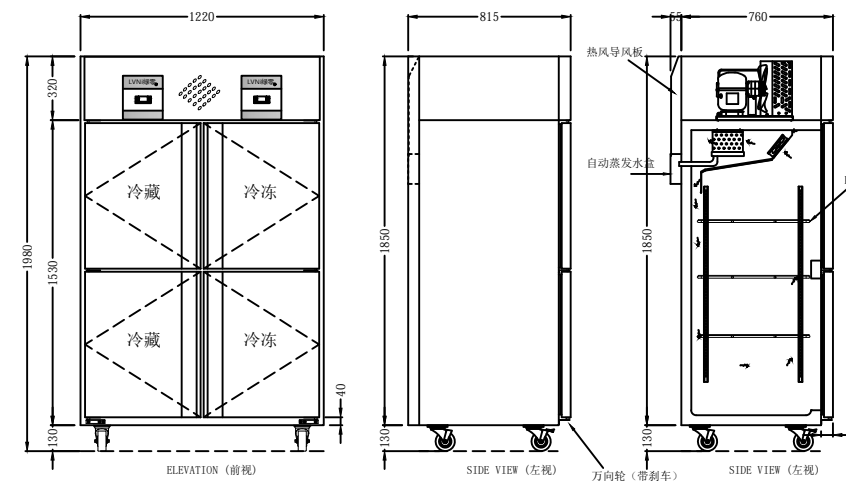
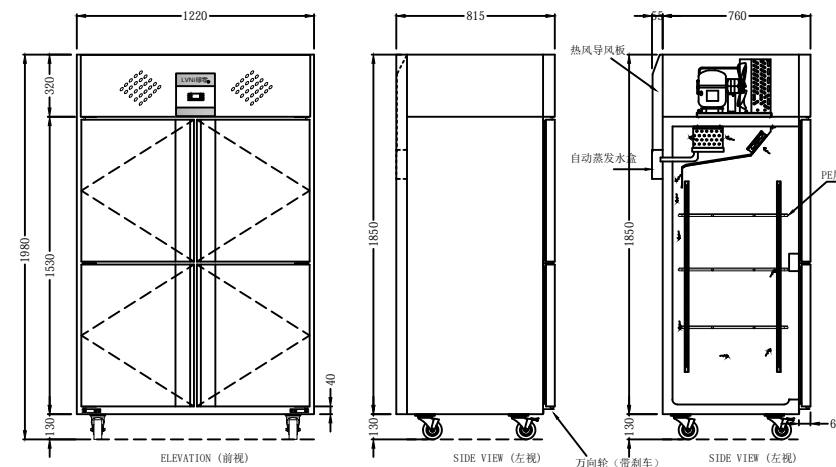
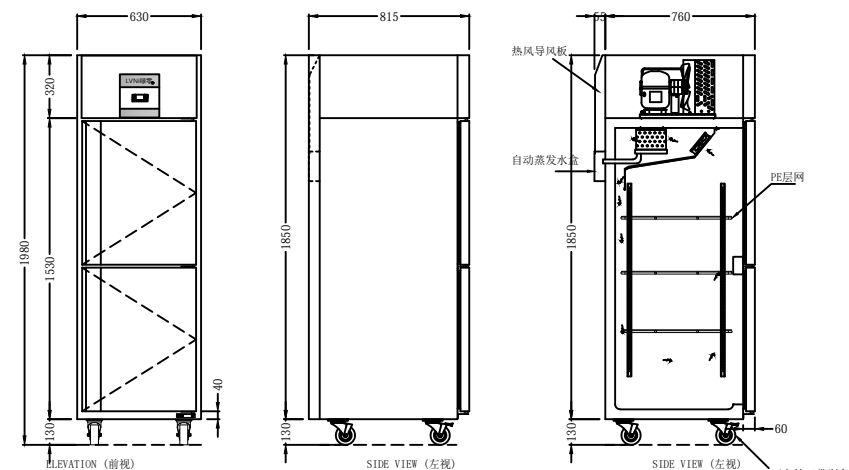
Auto water evaporation system, no need drainage

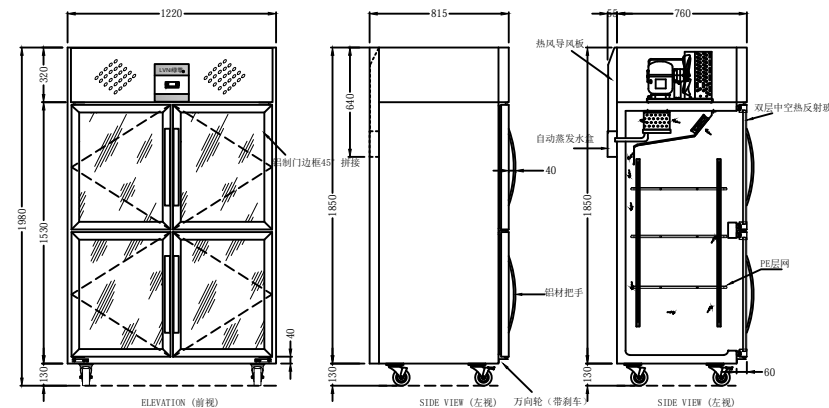
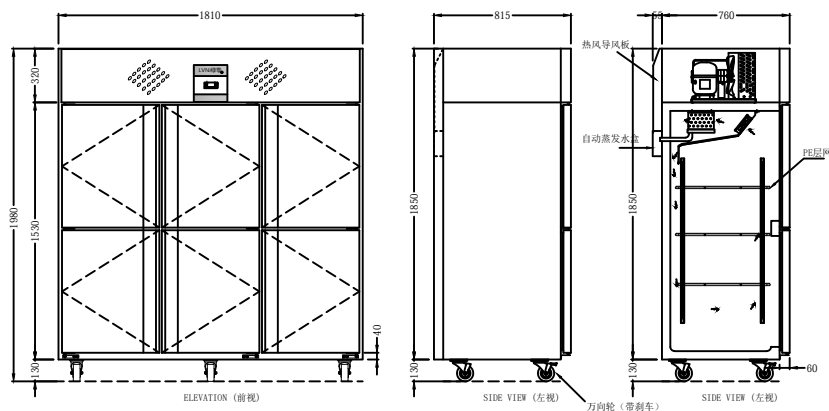
- ① 自动蒸发 ② 无需排水口



B | S系列B款高身雪柜

S SERIES B AIR-COOLED UPRIGHT CHILLER & FREEZER





B | S系列B款平台雪柜

S SERIES B AIR-COOLED COUNTER CHILLER & FREEZER



■ 材质Material: 201# (304#可选/optional)

■ 制冷剂Refrigerant: R290/R134a/R404

■ 冷冻款门框带发热丝
Freezer door frame is with heating wire

■ 自动蒸发冷凝水
Condensate evaporates automatically

■ 可适应环境温度: +38°C
Ambient temperature

■ 760深度为冷凝水直排, 815深度为冷凝水自动蒸发
The depth of 760 is for direct drainage of condensate, and the depth of 815 is for automatic evaporation of condensate

■ 型号解释

S B C ★★L 2 F D B S
S系列B款 立式 容积 门数 风冷 冷冻 玻璃门 双温

型号 Model	尺寸 (mm) Dimension	名称 Title	制冷 System	温度 Temp °C	电压 Voltage	功率 power	容积 volume
SBC-0.5L2F	630*760/815*1980	2 doors upright chiller	Air-cooled	冷藏Chiller (2~8°C)	220v/50HZ	385W	500L
SBC-0.5L2FD	630*760/815*1980	2 doors upright freezer	Air-cooled	冷冻Freezer (-12~-18°C)	220v/50HZ	800W	500L
SBC-1.0L4F	1220*760/815*1980	4 doors upright chiller	Air-cooled	冷藏Chiller (2~8°C)	220v/50HZ	550W	1000L
SBC-1.0L4FD	1220*760/815*1980	4 doors upright freezer	Air-cooled	冷冻Freezer (-12~-18°C)	220v/50HZ	1420W	1000L
SBC-1.0L4FS	1220*760/815*1980	4 doors dual temp.fridge	Air-cooled	冷藏Chiller (2~8°C) 冷冻Freezer (-12~-18°C)	220v/50HZ	1150W	900L (450L+450L)
SBC-1.6L6F	1810*760/815*1980	6 doors upright chiller	Air-cooled	冷藏Chiller (2~8°C)	220v/50HZ	770W	1580L
SBC-1.6L6FD	1810*760/815*1980	6 doors upright freezer	Air-cooled	冷冻 (-12~-18°C)	220v/50HZ	1150W	1580L
SBC-1.6L6FS	1810*760/815*1980	6 doors dual temp.fridge	Air-cooled	冷藏Chiller (2~8°C) 冷冻Freezer (-12~-18°C)	220v/50HZ	1850W	1580L (500L+1080L)
SBC-0.5L2FB	630*760/815*1980	2 glass doors upright chiller	Air-cooled	冷藏Chiller (2~8°C)	220v/50HZ	385W	500L
SBC-1.0L4FB	1220*760/815*1980	4 glass doors upright chiller	Air-cooled	冷藏Chiller (2~8°C)	220v/50HZ	550W	1000L
SBC-1.6L6FB	1810*760/815*1980	6 glass doors upright chiller	Air-cooled	冷藏Chiller (2~8°C)	220v/50HZ	770W	1580L

可拆卸过滤网设计
Detachable dust filter

①冷凝器过滤网可拆卸设计
②方便日常清洁或维护

自动蒸发水冷凝器
Auto water evaporation system, no need drainage

①自动蒸发
②无需排水口

可替换轮脚
Wheels optional

①可调节子弹脚 ②地面不平也放得稳

90°自动回归门
90° automatic return door

①90°自动回归门 ②避免能源损耗

圆角内胆
Fillet liner

①圆角内胆 ②方便储存 ③易清洁

智能温控器
Smart thermostat

①数字温控 ②精准控温 ③精确到0.1°C

加厚可调层架
Thickened adjustable shelf

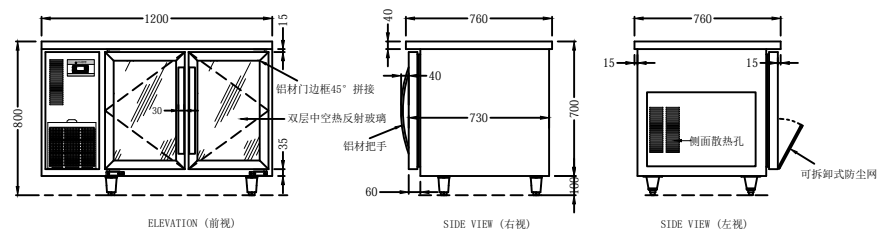
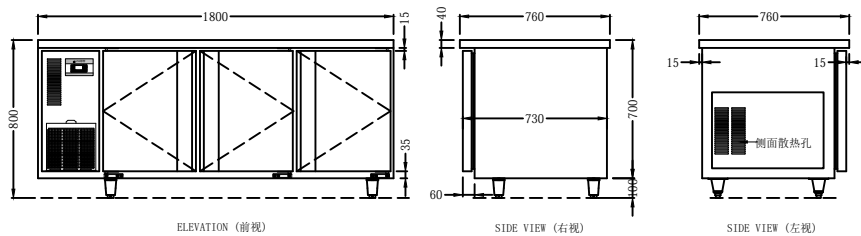
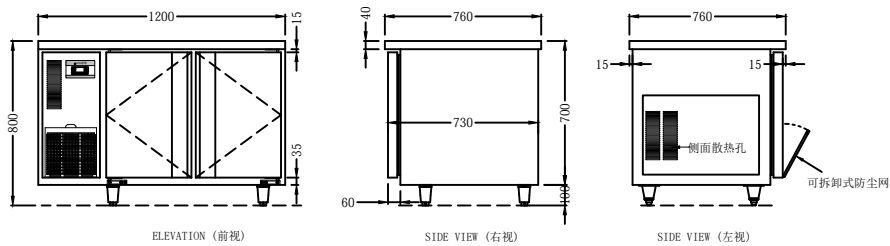
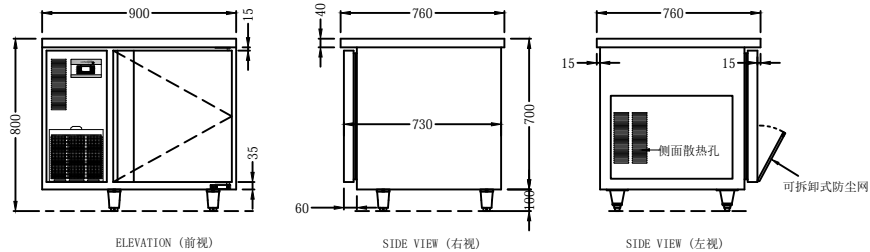
①可调节层架 ②灵活掌控空间

可拆卸密封条
Removable sealing strip

①可拆卸密封条 ②方便清洗

B | S系列B款平台雪柜

S SERIES B AIR-COOLED COUNTER CHILLER & FREEZER



- 材质Material: 201# (304可选optional)
- 冷冻门框带发热丝
Freezer door frame is with heating wire
- 可适用环境温度: +38°C
Ambient temperature :+38°C

- 制冷剂Refrigerant: R290/R134a/R404
- 冷凝水自动蒸发
Condensate evaporates automatically

■ 型号解释

SB G ★★L 1 F D X B
 S系列B款 平台 容积 门数 风冷 冷冻 600mm 玻璃门 深度

型号 Model	尺寸 (mm) Dimension	名称 Title	制冷 System	温度 Temp C	电压 Voltage	功率 power	容积 volume
SBG-0.1L1FX	900*600*800	1 door counter chiller	Air-cooled	冷藏Chiller (2~8°C)	220v/50HZ	285W	140L
SBG-0.1L1F	900*760*800	1 door counter chiller	Air-cooled	冷藏Chiller (2~8°C)	220v/50HZ	285W	180L
SBG-0.1L1FDX	900*600*800	1 door counter freezer	Air-cooled	冷冻Freezer (-12~-18°C)	220v/50HZ	650W	140L
SBG-0.1L1FD	900*760*800	1 door counter freezer	Air-cooled	冷冻Freezer (-12~-18°C)	220v/50HZ	650W	180L
SBG-0.2L2FX	1200*600*800	2 doors counter chiller	Air-cooled	冷藏Chiller (2~8°C)	220v/50HZ	285W	220L
SBG-0.2L2F	1200*760*800	2 doors counter chiller	Air-cooled	冷藏Chiller (2~8°C)	220v/50HZ	285W	300L
SBG-0.2L2FDX	1200*600*800	2 doors counter freezer	Air-cooled	冷冻Freezer (-12~-18°C)	220v/50HZ	650W	220L
SBG-0.2L2FD	1200*760*800	2 doors counter freezer	Air-cooled	冷冻Freezer (-12~-18°C)	220v/50HZ	650W	300L
SBG-0.3L2FX	1500*600*800	2 doors counter chiller	Air-cooled	冷藏Chiller (2~8°C)	220v/50HZ	285W	280L
SBG-0.3L2F	1500*760*800	2 doors counter chiller	Air-cooled	冷藏Chiller (2~8°C)	220v/50HZ	285W	390L
SBG-0.3L2FDX	1500*600*800	2 doors counter freezer	Air-cooled	冷冻Freezer (-12~-18°C)	220v/50HZ	770W	280L
SBG-0.3L2FD	1500*760*800	2 doors counter freezer	Air-cooled	冷冻Freezer (-12~-18°C)	220v/50HZ	770W	390L
SBG-0.4L3FX	1800*600*800	3 doors counter chiller	Air-cooled	冷藏Chiller (2~8°C)	220v/50HZ	385W	380L
SBG-0.4L3F	1800*760*800	3 doors counter chiller	Air-cooled	冷藏Chiller (2~8°C)	220v/50HZ	385W	500L
SBG-0.4L3FDX	1800*600*800	3 doors counter freezer	Air-cooled	冷冻Freezer (-12~-18°C)	220v/50HZ	770W	380L
SBG-0.4L3FD	1800*760*800	3 doors counter freezer	Air-cooled	冷冻Freezer (-12~-18°C)	220v/50HZ	770W	500L
SBG-0.2L2FBX	1200*600*800	2 glass doors counter chiller	Air-cooled	冷藏Chiller (2~8°C)	220v/50HZ	285W	220L
SBG-0.2L2FB	1200*760*800	2 glass doors counter chiller	Air-cooled	冷藏Chiller (2~8°C)	220v/50HZ	285W	300L
SBG-0.3L2FBX	1500*600*800	2 glass doors counter chiller	Air-cooled	冷藏Chiller (2~8°C)	220v/50HZ	285W	280L
SBG-0.3L2FB	1500*760*800	2 glass doors counter chiller	Air-cooled	冷藏Chiller (2~8°C)	220v/50HZ	285W	390L
SBG-0.4L3FBX	1800*600*800	3 glass doors counter chiller	Air-cooled	冷藏Chiller (2~8°C)	220v/50HZ	385W	380L
SBG-0.4L3FB	1800*760*800	3 glass doors counter chiller	Air-cooled	冷藏Chiller (2~8°C)	220v/50HZ	385W	500L

B | S系列B款吧台风冷冷柜

S SERIES B AIR-COOLED BAR FRIDGE



简约暗把手

Concise handle

- ① 隐形门把手设计
- ② 不妨碍行动



风冷无霜系统

Air cooled frost free system

- ① 风冷无霜
- ② 制冷快速
- ③ 冷气均匀



智能数字温控

Intelligent temperature control

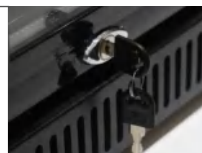
- ① 数字温控
- ② 精准控温
- ③ 精确到0.1°C



安全童锁配置

Safety child lock configuration

- ① 防止随意打开
- ② 方便管理



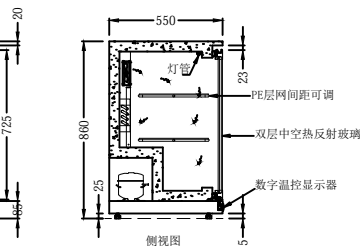
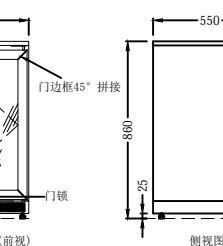
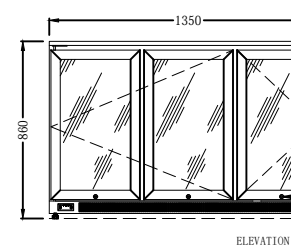
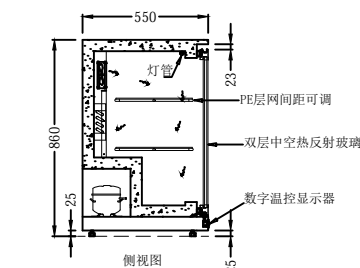
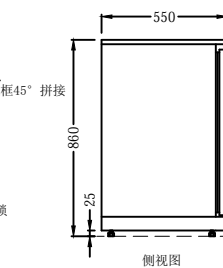
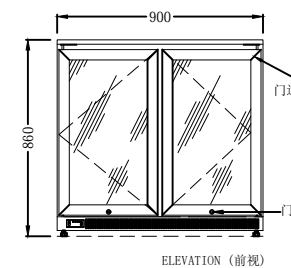
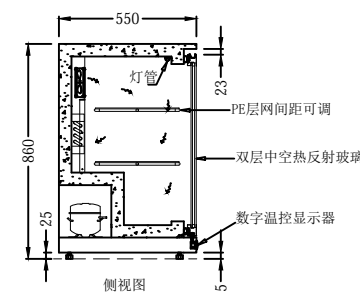
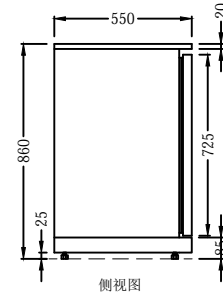
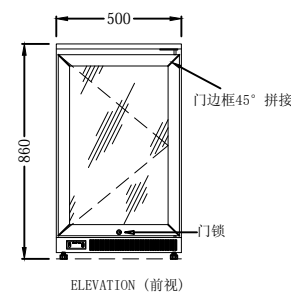
B | S系列B款吧台风冷冷柜

S SERIES B AIR-COOLED BAR FRIDGE

■ 可适应环境温度: +28°C
Ambient temperature: +28°C

■ 制冷剂Refrigerant: R290/R134a/R404

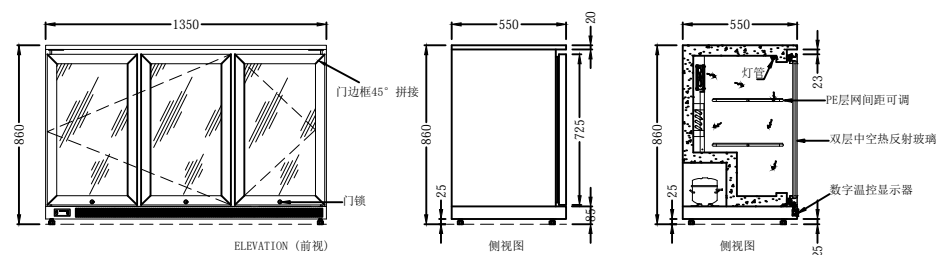
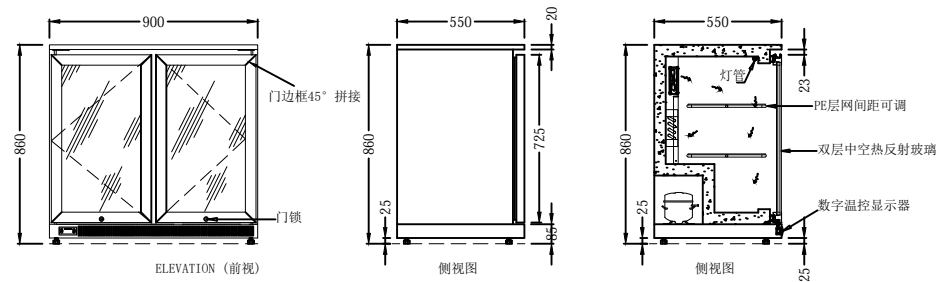
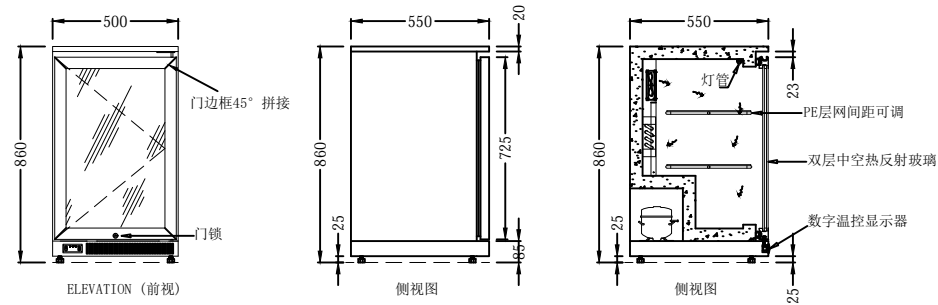
■ 冷凝水自动蒸发
Condensate evaporates automatically



B | S系列B款不锈钢吧台风冷冷柜

S SERIES B STAINLESS STEEL BAR TYPHOON REFRIGERATOR

- 可适应环境温度: +28°C
Ambient temperature :+28°C
- 制冷剂Refrigerant: R290/R134a/R404
- 冷凝水自动蒸发
Condensate evaporates automatically



型号 Model	尺寸 (mm) Dimension	名称 Title	制冷 System	温度 Temp C	电压 Voltage	功率 power	容积 volume
SHB-108LF	500*500*860	1 door bar fridge	Air-cooled	冷藏Fridge (2~8°C)	220v/50HZ	220W	108L
SHB-230L2F	900*550*860	2 doors bar fridge	Air-cooled	冷藏Fridge (2~8°C)	220v/50HZ	285W	230L
SHB-350L3F	1350*550*860	3 doors bar fridge	Air-cooled	冷藏Fridge (2~8°C)	220v/50HZ	385W	350L
SBC-108LF	500*550*860	1 door stainless steel bar fridge	Air-cooled	冷藏Fridge (2~8°C)	220v/50HZ	220W	108L
SBC-230L2F	900*550*860	2 doors stainless steel bar fridge	Air-cooled	冷藏Fridge (2~8°C)	220v/50HZ	285W	230L
SBC-350L3F	1350*550*860	3 doors stainless steel bar fridge	Air-cooled	冷藏Fridge (2~8°C)	220v/50HZ	385W	350L

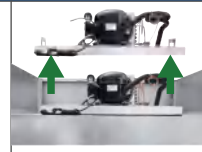
G | S系列G款高身雪柜

S SERIES G AIR-COOLED UPRIGHT CHILLER & FREEZER



模块化机组 Modular compressor unit

- ①制冷机组可拆卸式设计
- ②方便维修或更换机组



可拆卸过滤网设计 Detachable dust filter

- ①冷凝器过滤网可拆卸设计
- ②方便日常清洁或维护



进口压缩机 Secop compressor from Germany

- ①高效率 ②低能耗 ③低维修率



智能温控器 Smart thermostat

- ①数字温控 ②精准控温 ③精确到0.1°C



风循环制冷 Fierce fan cooling circulation

- ①风冷无霜 ②制冷快速 ③冷气均匀



加厚可调层架 Thickened adjustable shelf

- ①可调节层架 ②灵活掌控空间



圆角内胆 Fillet liner

- ①圆角内胆 ②方便储存 ③易清洁



360°万向轮脚 360° universal wheel foot

- ①带刹车万向轮脚 ②方便移动又稳固



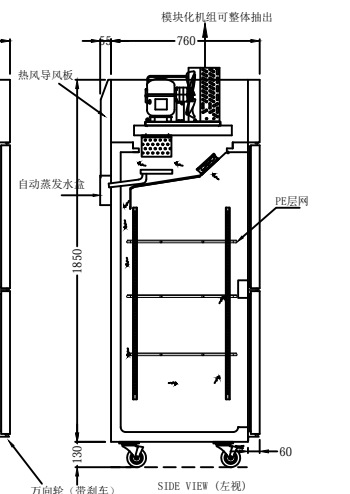
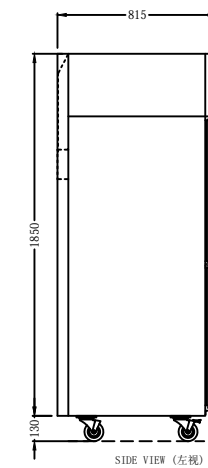
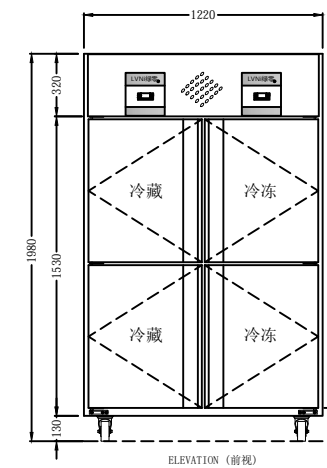
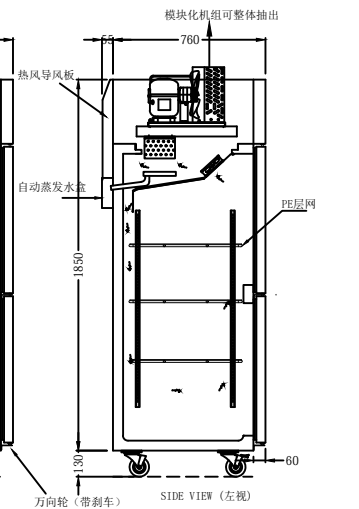
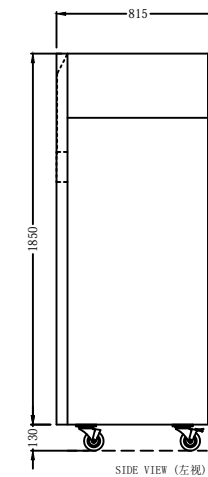
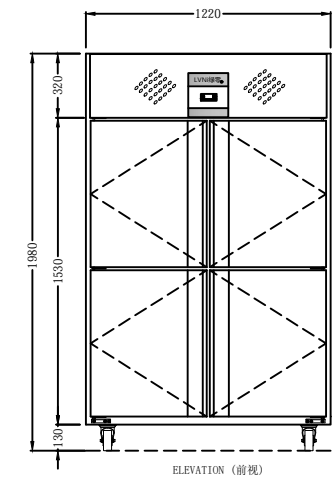
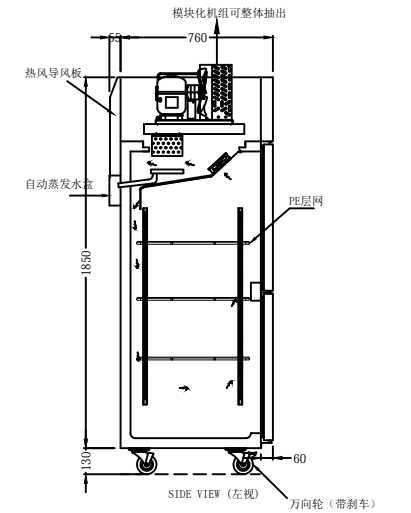
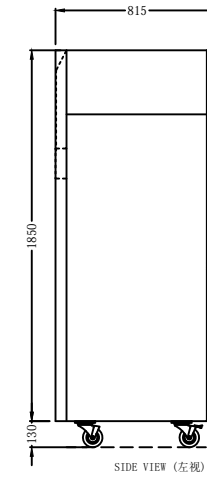
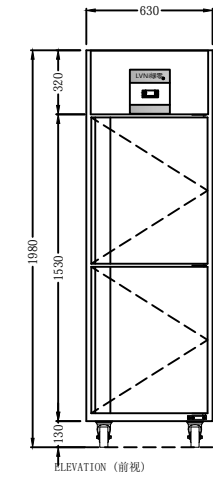
自动蒸发水冷凝器 Auto water evaporation system, no need drainage

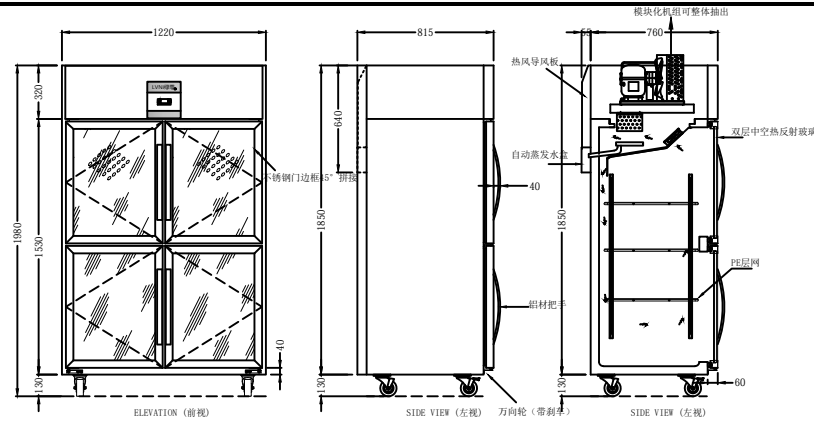
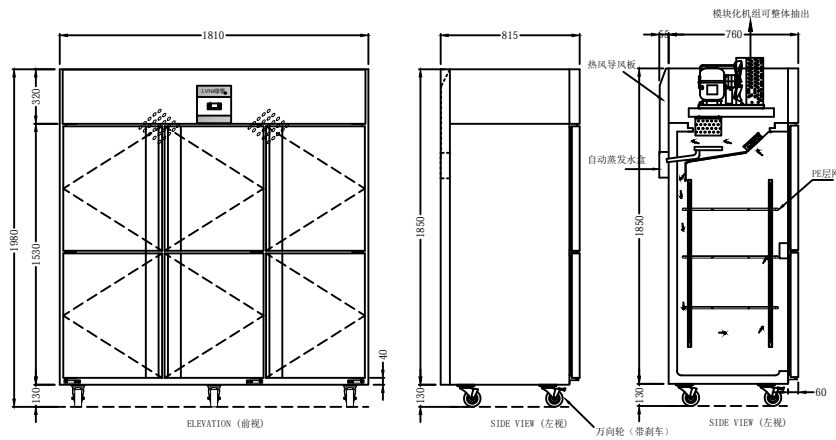
- ①自动蒸发 ②无需排水口



G | S系列G款高身雪柜

S SERIES G AIR-COOLED UPRIGHT CHILLER & FREEZER





G | S系列G款平台雪柜

S SERIES G AIR-COOLED COUNTER CHILLER & FREEZER



- 材质Material: 201# (304#可选optional)
 - 冷冻款门框带发热丝
Freezer door frame with heating wire
 - 可适应环境温度: +38°C
Ambient temperature
 - 制冷剂Refrigerant: R290/R134a/R404
 - 冷凝水自动蒸发
Condensate evaporates automatically
 - 进口压缩机
Secop compressor from Germany
 - 型号解释
- 760深度为冷凝水直排, 815深度为冷凝水自动蒸发
The depth of 760 is for direct drainage of condensate, and the depth of 815 is for automatic evaporation of condensate
- SG C ★★L 2 F D B S
S系列G款 立式 容积 门数 风冷 冷冻 玻璃门 双温

型号 Model	尺寸(mm) Dimension	名称 Title	制冷 System	温度 Temp C	电压 Voltage	功率 power	容积 volume
SGC-0.5L2F	630*760/815*1980	2 doors upright chiller	Air-cooled	冷藏Chiller (2~8°C)	220v/50HZ	660W	500L
SGC-0.5L2FD	630*760/815*1980	2 doors upright freezer	Air-cooled	冷冻Freezer (-18~-23°C)	220v/50HZ	990W	500L
SGC-1.0L4F	1220*760/815*1980	4 doors upright chiller	Air-cooled	冷藏Chiller (2~8°C)	220v/50HZ	770W	1000L
SGC-1.0L4FD	1220*760/815*1980	4 doors upright freezer	Air-cooled	冷冻Freezer (-18~-23°C)	220v/50HZ	1420W	1000L
SGC-1.0L4FS	1220*760/815*1980	4 doors dual temp.fridge	Air-cooled	冷藏Chiller (2~8°C) 冷冻Freezer (-18~-23°C)	220v/50HZ	1150W	900L (450L+450L)
SGC-1.6L6F	1810*760/815*1980	6 doors upright chiller	Air-cooled	冷藏Chiller (2~8°C)	220v/50HZ	1300W	1580L
SGC-1.6L6FD	1810*760/815*1980	6 doors upright freezer	Air-cooled	冷冻Freezer (-18~-23°C)	220v/50HZ	2200W	1580L
SGC-1.6L6FS	1810*760/815*1980	6 doors dual temp.fridge	Air-cooled	冷藏Chiller (2~8°C) 冷冻Freezer (-18~-23°C)	220v/50HZ	1120W	1580L (500L+1080L)
SGC-0.5L2FB	630*760/815*1980	2 glass doors upright chiller	Air-cooled	冷藏Chiller (2~8°C)	220v/50HZ	385W	500L
SGC-1.0L4FB	1220*760/815*1980	4 glass doors upright chiller	Air-cooled	冷藏Chiller (2~8°C)	220v/50HZ	550W	1000L
SGC-1.6L6FB	1810*760/815*1980	6 glass doors upright chiller	Air-cooled	冷藏Chiller (2~8°C)	220v/50HZ	770W	1580L

可拆卸过滤网设计
Detachable dust filter

①冷凝器过滤网可拆卸设计
②方便日常清洁或维护

自动蒸发水冷凝器
Auto water evaporation system, no need drainage

①自动站蒸发
②无需排水口

可替换轮脚
Wheels optional

①可调节子弹脚 ②地面不平也放得稳

90°自动回归门
90° automatic return door

①90°自动回归门 ②避免能源损耗

圆角内胆
Fillet liner

①圆角内胆 ②方便储存 ③易清洁

智能温控器
Smart thermostat

①数字温控 ②精准控温 ③精确到0.1°C

加厚可调层架
Thickened adjustable shelf

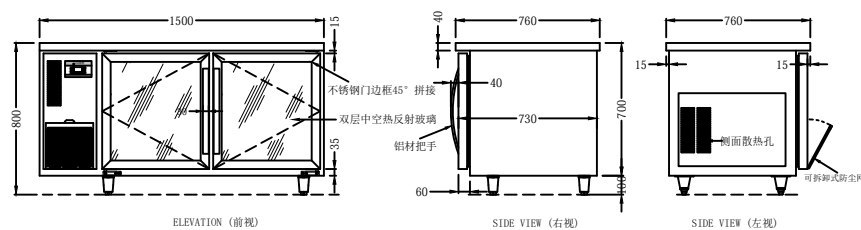
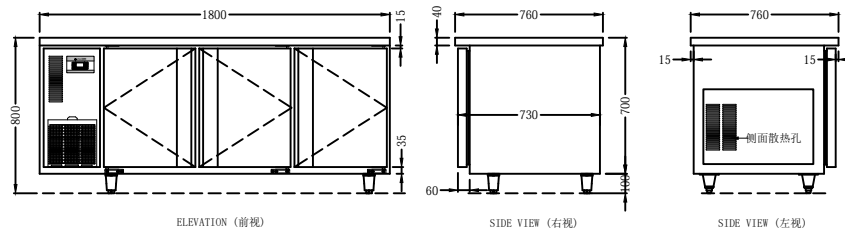
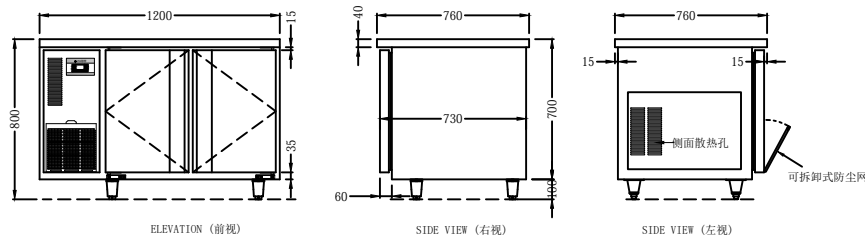
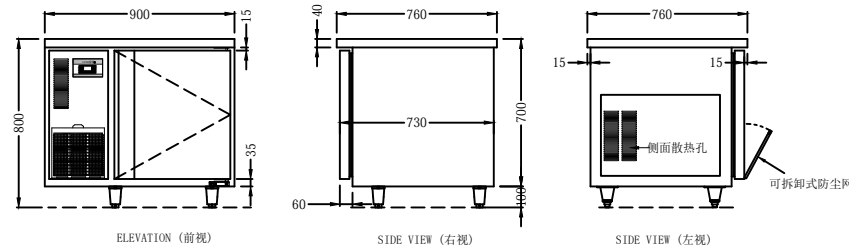
①可调节层架 ②灵活掌控空间

可拆卸密封条
Removable sealing strip

①可拆卸密封条 ②方便清洗

G | S系列G款平台雪柜

S SERIES G AIR-COOLED COUNTER CHILLER & FREEZER



- 材质Material : 201# (304#可选optional)
- 冷冻款门框带发热丝
Freezer door frame is with heating wire
- 可适应环境温度: +38°C
Ambient temperature : +38°C
- 制冷剂Refrigerant: R290/R134a/R404
- 冷凝水自动蒸发
Condensate evaporates automatically
- 进口压缩机
Secop compressor from Germany

■ 型号解释



型号 Model	尺寸 (mm) Dimension	名称 Title	制冷 System	温度 Temp C	电压 Voltage	功率 power	容积 volume
SGG-0.1L1FX	900*600*800	1 door counter chiller	Air-cooled	冷藏Chiller (2~8°C)	220v/50HZ	285W	140L
SGG-0.1L1F	900*760*800	1 door counter chiller	Air-cooled	冷藏Chiller (2~8°C)	220v/50HZ	285W	180L
SGG-0.1L1FDX	900*600*800	1 door counter freezer	Air-cooled	冷冻Freezer (-18~-23°C)	220v/50HZ	650W	140L
SGG-0.1L1FD	900*760*800	1 door counter freezer	Air-cooled	冷冻Freezer (-18~-23°C)	220v/50HZ	650W	180L
SGG-0.2L2FX	1200*600*800	2 doors counter chiller	Air-cooled	冷藏Chiller (2~8°C)	220v/50HZ	550W	220L
SGG-0.2L2F	1200*760*800	2 doors counter chiller	Air-cooled	冷藏Chiller (2~8°C)	220v/50HZ	550W	300L
SGG-0.2L2FDX	1200*600*800	2 doors counter freezer	Air-cooled	冷冻Freezer (-18~-23°C)	220v/50HZ	800W	200L
SGG-0.2L2FD	1200*760*800	2 doors counter freezer	Air-cooled	冷冻Freezer (-18~-23°C)	220v/50HZ	800W	300L
SGG-0.3L2FX	1500*600*800	2 doors counter chiller	Air-cooled	冷藏Chiller (2~8°C)	220v/50HZ	550W	280L
SGG-0.3L2F	1500*760*800	2 doors counter chiller	Air-cooled	冷藏Chiller (2~8°C)	220v/50HZ	550W	390L
SGG-0.3L2FDX	1500*600*800	2 doors counter freezer	Air-cooled	冷冻Freezer (-18~-23°C)	220v/50HZ	900W	280L
SGG-0.3L2FD	1500*760*800	2 doors counter freezer	Air-cooled	冷冻Freezer (-18~-23°C)	220v/50HZ	900W	390L
SGG-0.4L3FX	1800*600*800	3 doors counter chiller	Air-cooled	冷藏Chiller (2~8°C)	220v/50HZ	660W	380L
SGG-0.4L3F	1800*760*800	3 doors counter chiller	Air-cooled	冷藏Chiller (2~8°C)	220v/50HZ	660W	500L
SGG-0.4L3FDX	1800*600*800	3 doors counter freezer	Air-cooled	冷冻Freezer (-18~-23°C)	220v/50HZ	900W	380L
SGG-0.4L3FD	1800*760*800	3 doors counter freezer	Air-cooled	冷冻Freezer (-18~-23°C)	220v/50HZ	900W	500L
SGG-0.2L2FBX	1200*600*800	2 glass doors counter chiller	Air-cooled	冷藏Chiller (2~8°C)	220v/50HZ	285W	200L
SGG-0.2L2FB	1200*760*800	2 glass doors counter chiller	Air-cooled	冷藏Chiller (2~8°C)	220v/50HZ	285W	300L
SGG-0.3L2FBX	1500*600*800	2 glass doors counter chiller	Air-cooled	冷藏Chiller (2~8°C)	220v/50HZ	285W	280L
SGG-0.3L2FB	1500*760*800	2 glass doors counter chiller	Air-cooled	冷藏Chiller (2~8°C)	220v/50HZ	285W	390L
SGG-0.4L3FBX	1800*600*800	3 glass doors counter chiller	Air-cooled	冷藏Chiller (2~8°C)	220v/50HZ	385W	380L
SGG-0.4L3FB	1800*760*800	3 glass doors counter chiller	Air-cooled	冷藏Chiller (2~8°C)	220v/50HZ	385W	500L

G | S系列G款高身插盘雪柜

S SERIES G AIR-COOLED UPRIGHT PLUG-IN CHILLER & FREEZER



进口压缩机
Secop compressor from Germany
①高效率 ②低能耗 ③低维修率



智能温控器
Smart thermostat
①数字温控 ②精准控温 ③精确到0.1°C



风循环制冷
Fierce fan cooling circulation
①风冷无霜 ②制冷快速 ③冷气均匀



烤盘间隙可调
Adjustable pan gap
①适放置28盘600*400mm烤盆
②间距可调



圆角内胆
Fillet liner
①圆角内胆 ②方便储存 ③易清洁

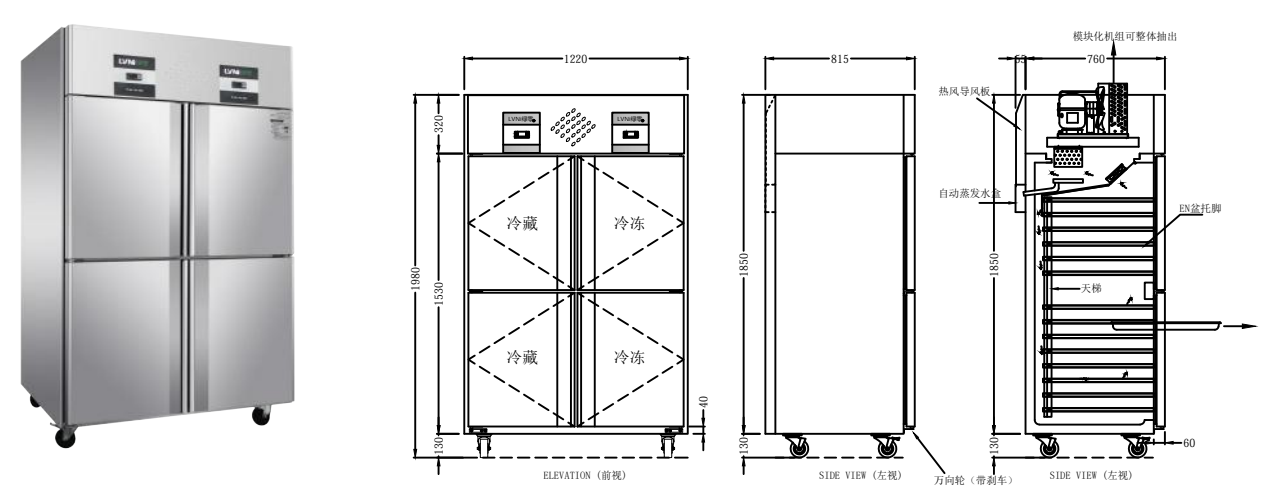
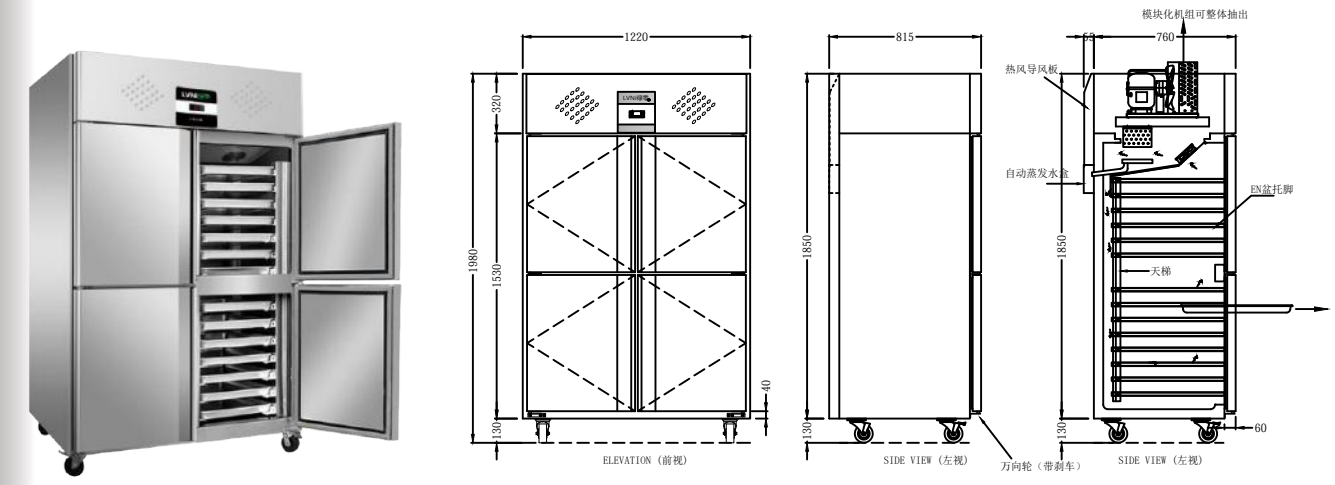
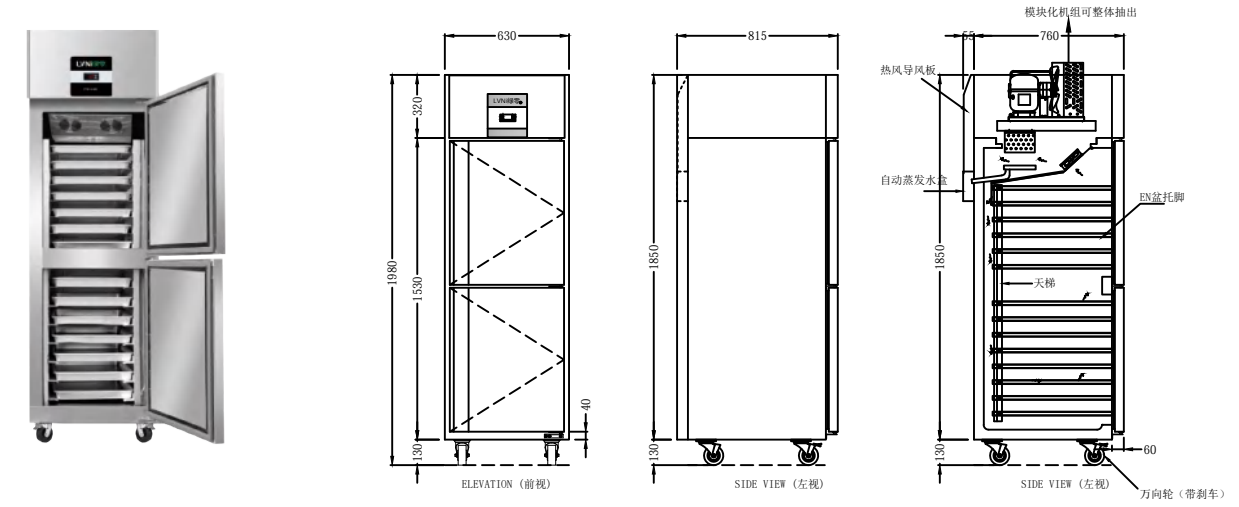


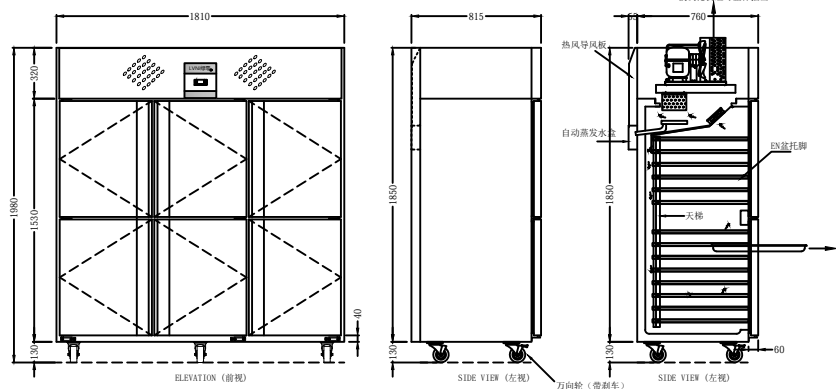
360°万向轮脚
360° universal wheel foot
①带刹车万向轮脚 ②方便移动又稳固



G | S系列G款高身插盘雪柜

S SERIES G AIR-COOLED UPRIGHT PLUG-IN CHILLER & FREEZER





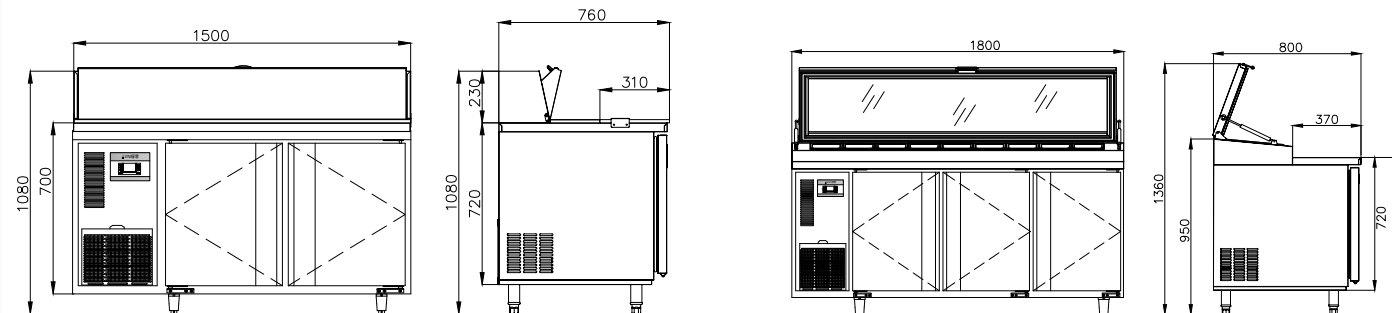
G | S系列G款卧式披萨风冷冷柜

S SERIES G AIR-COOLED PIZZA REFRIGERATOR



- 材质Material : 201# (304#) 可选optional
- 冷冻款门框带发热丝
Freezer door frame is with heating wire
- 制冷剂Refrigerant: R290/R134a/R404
- 可适应环境温度: +38°C
Ambient temperature : +38°C
- 自动蒸发冷凝水
Condensate evaporates automatically
- 进口压缩机
Secop compressor from Germany

型号 Model	尺寸 (mm) Dimension	名称 Title	制冷 System	温度 Temp °C	电压 Voltage	功率 power
SKC-0.5L2F	630*815*1980	2 doors upright plug-in chiller	Air-cooled	冷藏Chiller (2~8°C)	220v/50HZ	660W
SKC-1.0L4F	1150*815*1980	4 doors upright plug-in chiller	Air-cooled	冷藏Chiller (2~8°C)	220v/50HZ	770W
SKC-1.0L4FS	1150*815*1980	4 doors upright plug-in freezer	Air-cooled	冷藏Chiller (2~8°C) 冷冻Freezer (-18~-23°C)	220v/50HZ	1150W
SKC-1.6L6F	1705*815*1980	6 doors upright plug-in chiller	Air-cooled	冷藏Chiller (2~8°C)	220v/50HZ	1300W
SKC-1.6L6FS	1705*815*1980	6 doors upright plug-in freezer	Air-cooled	冷藏Chiller (2~8°C) 冷冻Freezer (-18~-23°C)	220v/50HZ	1120W

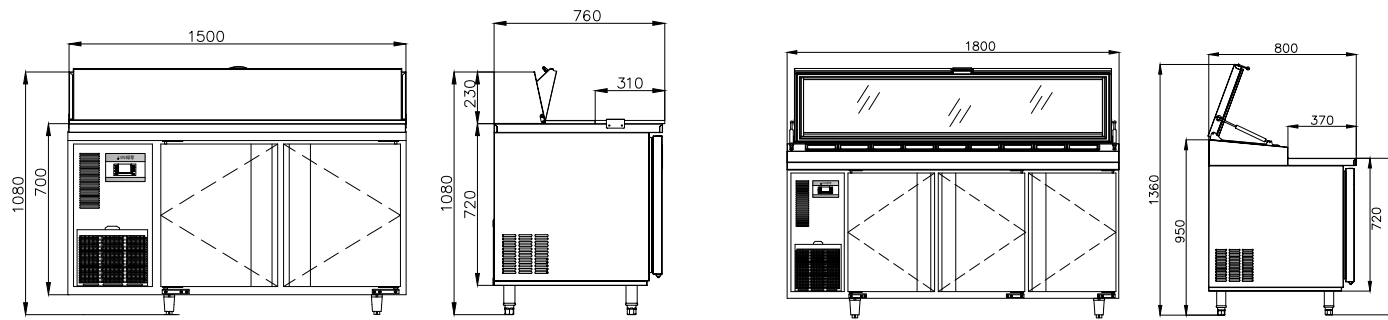


- 可适应环境温度: +38°C
Ambient temperature : +38°C
- 自动蒸发冷凝水
Condensate evaporates automatically
- 进口压缩机
Secop compressor from Germany
- 材质Material : 201# (304#) 可选optional
- 制冷剂Refrigerant: R290/R134a/R404

型号 Model	尺寸 (mm) Dimension	名称 Title	制冷 System	温度 Temp °C	电压 Voltage	功率 power	份数盆 Portion basin
SPS-900	900*760*1050	1 door salad/pizza chiller	Air-cooled	冷藏Chiller (2~8°C)	220v/50HZ	285W	6个
SPS-1200	1200*760*1050	2 doors salad/pizza chiller	Air-cooled	冷藏Chiller (2~8°C)	220v/50HZ	550W	6个
SPS-1500	1500*760*1050	2 doors salad/pizza chiller	Air-cooled	冷藏Chiller (2~8°C)	220v/50HZ	550W	6个
SPS-1800	1800*760*1050	3 doors salad/pizza chiller	Air-cooled	冷藏Chiller (2~8°C)	220v/50HZ	660W	10个

G | S系列G款卧式沙拉风冷冷柜

S SERIES G AIR-COOLED SALAD REFRIGERATOR



■ 可适应环境温度: +38°C
Ambient temperature : +38°C

■ 进口压缩机
Secop compressor from Germany

■ 自动蒸发冷凝水
Condensate evaporates automatically

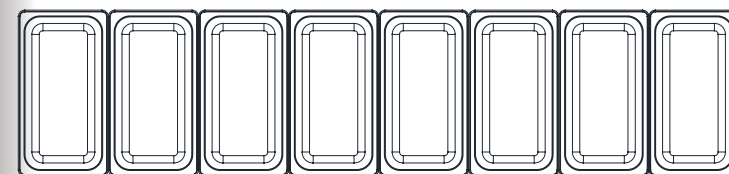
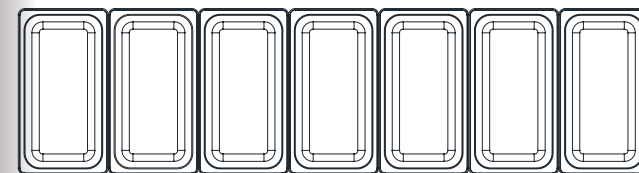
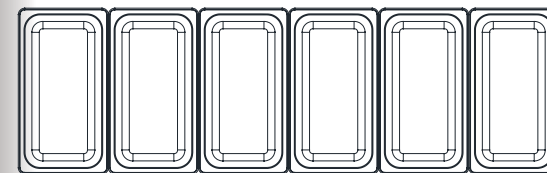
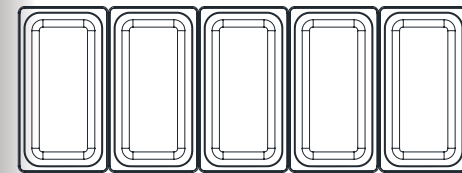
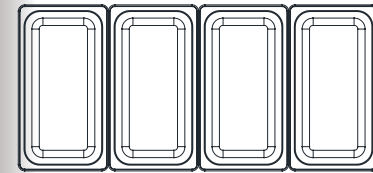
■ 材质Material : 201# (304#) 可选optional

■ 制冷剂Refrigerant: R290/R134a/R404

型号 Model	尺寸(mm) Dimension	名称 Title	制冷 System	温度 Temp C	电压 Voltage	功率 power	容积 volume
SSL-900	900*760*1050	1 door salad/pizza chiller	Air-cooled	冷藏Chiller(2~8°C)	220v/50HZ	285W	160L
SSL-1200	1200*760*1050	2 doors salad/pizza chiller	Air-cooled	冷藏Chiller(2~8°C)	220v/50HZ	550W	220L
SSL-1500	1500*760*1050	2 doors salad/pizza chiller	Air-cooled	冷藏Chiller(2~8°C)	220v/50HZ	550W	320L
SSL-1800	1800*760*1050	3 doors salad/pizza chiller	Air-cooled	冷藏Chiller(2~8°C)	220v/50HZ	660W	420L

台上式沙拉台

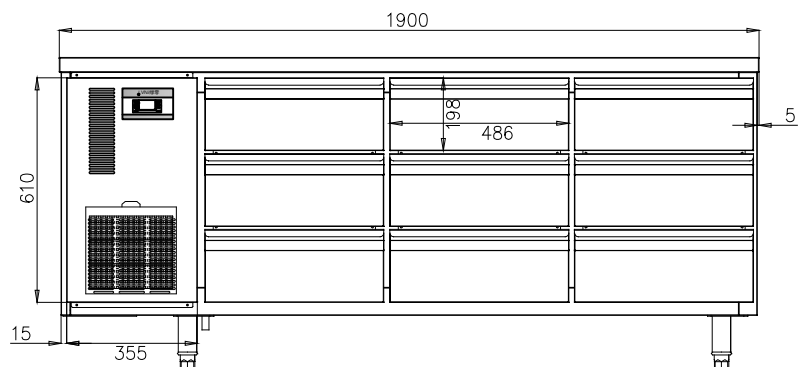
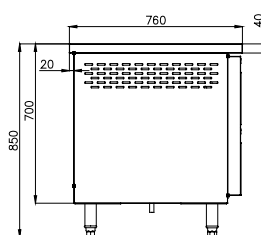
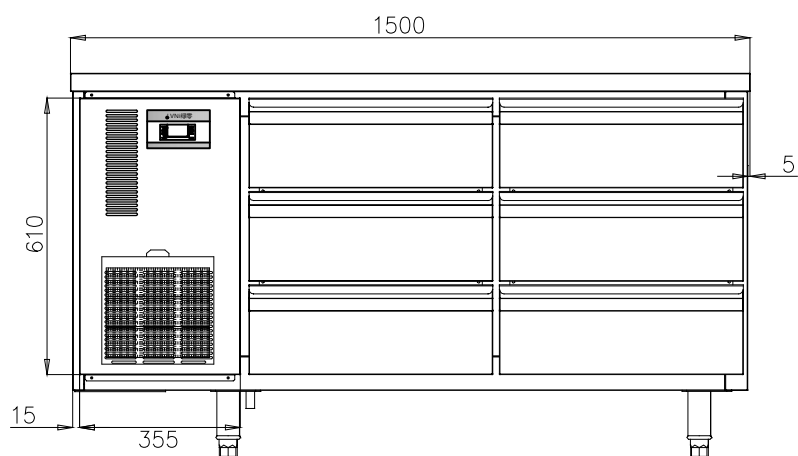
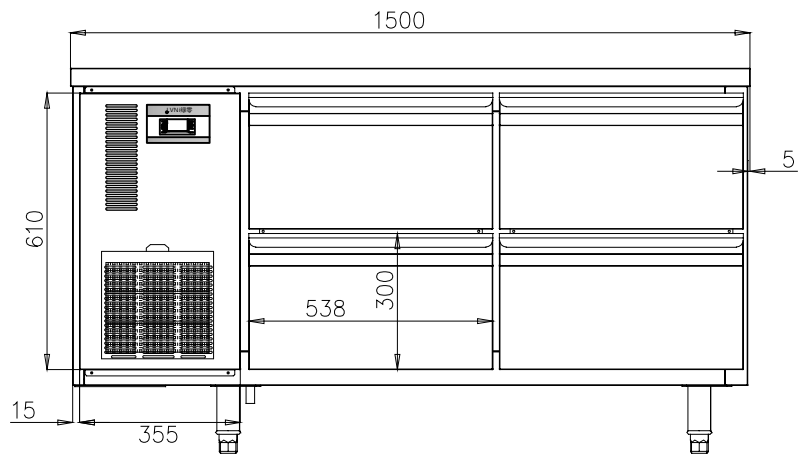
COUNTERTOP SALAD TABLE



型号 Model	分类 Classification	规格 (mm) Dimensions	功率 (W) Power	重量 (KG) Weight	制冷剂 Ref.	温度范围 (°C) Temperature	制冷方式 Refrigeraton
TZ1115C-SL	Countertop Salad Table	1115x395x425	280	25	R134a	2°C~8°C	Static cooling
TZ1295C-SL	Countertop Salad Table	1295x395x425	280	30	R134a	2°C~8°C	Static cooling
TZ1475C-SL	Countertop Salad Table	1475x395x425	280	35	R134a	2°C~8°C	Static cooling
TZ1655C-SL	Countertop Salad Table	1655x395x425	280	40	R134a	2°C~8°C	Static cooling
TZ1835C-SL	Countertop Salad Table	1835x395x425	280	45	R134a	2°C~8°C	Static cooling

G | S系列G款卧式抽屉风冷冷柜

S SERIES G AIR-COOLED COUNTER CHILLER & FREEZER WITH DRAWERS



■ 可适应环境温度: +38°C
Ambient temperature : +38°C

■ 自动蒸发冷凝水
Condensate evaporates automatically

■ 进口压缩机
Secop compressor from Germany

■ 材质Material : 201# (304#) 可选optional

■ 制冷剂Refrigerant: R290/R134a/R404

■ 型号解释

SG G ★★L 1 F D N (W)
S系列G款平台 容积 门数 风冷 冷冻 一组两抽 一组三抽

型号 Model	尺寸 (mm) Dimension	名称 Title	制冷 System	温度 Temp C	电压 Voltage	功率 Power	抽屉数 Drawer
SGG-0.1L1FN	900*760/600*800	2 drawers counter chiller	Air-cooled	冷藏Chiller (2~8°C)	220v/50HZ	550W	2个
SGG-0.1L1FDN	900*760/600*800	2 drawers counter freezer	Air-cooled	冷冻Freezer (-18~-23°C)	220v/50HZ	900W	2个
SGG-0.2L2FNN	1200*760/600*800	4 drawers counter chiller	Air-cooled	冷藏Chiller (2~8°C)	220v/50HZ	550W	4个
SGG-0.2L2FDNN	1200*760/600*800	4 drawers counter freezer	Air-cooled	冷冻Freezer (-18~-23°C)	220v/50HZ	900W	4个
SGG-0.3L2FNN	1500*760/600*800	4 drawers counter chiller	Air-cooled	冷藏Chiller (2~8°C)	220v/50HZ	550W	4个
SGG-0.3L2FDNN	1500*760/600*800	4 drawers counter freezer	Air-cooled	冷冻Freezer (-18~-23°C)	220v/50HZ	900W	4个
SGG-0.4L3FNNN	1800*760/600*800	6 drawers counter chiller	Air-cooled	冷藏Chiller (2~8°C)	220v/50HZ	660W	6个
SGG-0.4L3FDNNN	1800*760/600*800	6 drawers counter freezer	Air-cooled	冷冻Freezer (-18~-23°C)	220v/50HZ	1000W	6个
SGG-0.1L1FW	900*760/600*800	3 drawers counter chiller	Air-cooled	冷藏Chiller (2~8°C)	220v/50HZ	550W	3个
SWG-0.1L1FDW	900*760/600*800	3 drawers counter freezer	Air-cooled	冷冻Freezer (-18~-23°C)	220v/50HZ	900W	3个
SGG-0.2L2FWW	1200*760/600*800	6 drawers counter chiller	Air-cooled	冷藏Chiller (2~8°C)	220v/50HZ	550W	6个
SGG-0.2L2FDWW	1200*760/600*800	6 drawers counter freezer	Air-cooled	冷冻Freezer (-18~-23°C)	220v/50HZ	900W	6个
SGG-0.3L2FWW	1500*760/600*800	6 drawers counter chiller	Air-cooled	冷藏Chiller (2~8°C)	220v/50HZ	550W	6个
SGG-0.3L2FDWW	1500*760/600*800	6 drawers counter freezer	Air-cooled	冷冻Freezer (-18~-23°C)	220v/50HZ	900W	6个
SGG-0.4L3FWWW	1800*760/600*800	9 drawers counter chiller	Air-cooled	冷藏Chiller (2~8°C)	220v/50HZ	660W	9个
SGG-0.4L3FDWWW	1800*760/600*800	9 drawers counter freezer	Air-cooled	冷冻Freezer (-18~-23°C)	220v/50HZ	1000W	9个

TG | TG款高身雪柜系列

TG SERIES AIR-COOLED UPRIGHT CHILLER & FREEZER

TG | TG款高身雪柜系列

TG SERIES AIR-COOLED UPRIGHT CHILLER & FREEZER



进口压缩机
Secop compressor from Germany
①高效率 ②低能耗 ③低维修率



智能温控器
Smart thermostat
①数字温控 ②精准控温 ③精确到0.1°C



风循环制冷
Fierce fan cooling circulation
①风冷无霜 ②制冷快速 ③冷气均匀



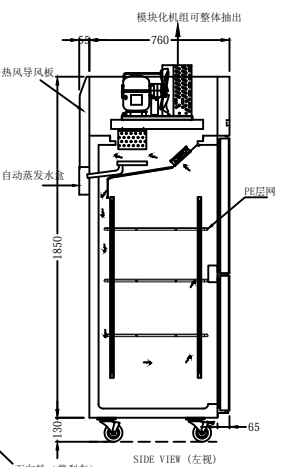
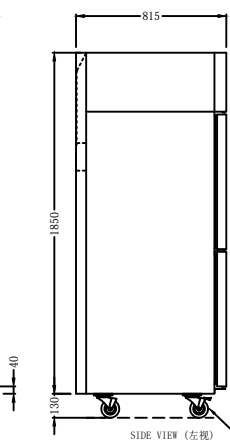
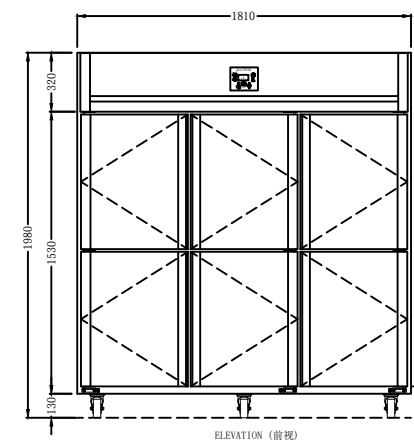
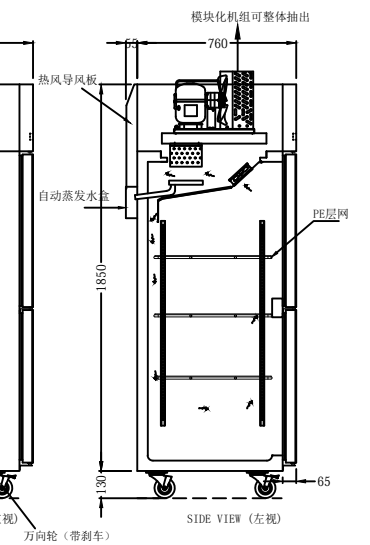
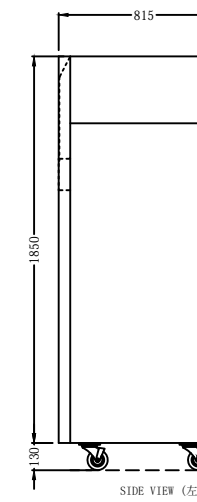
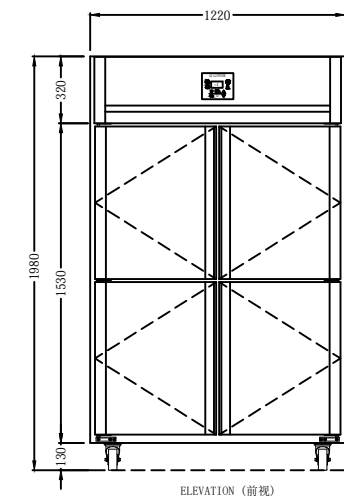
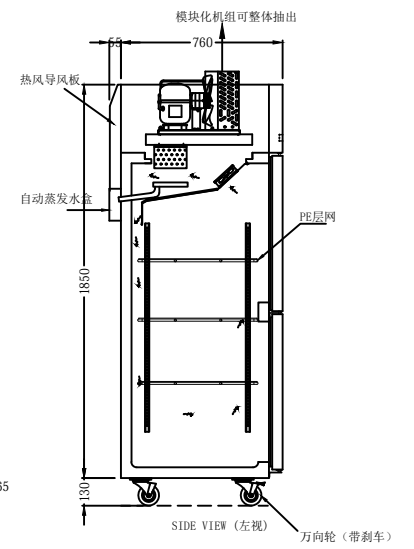
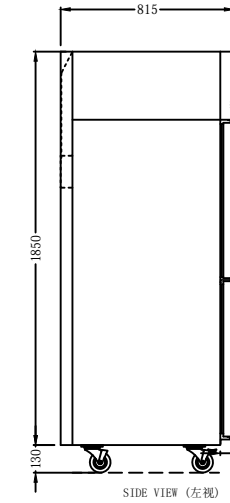
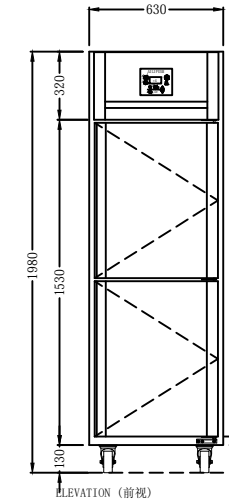
加厚可调层架
Thickened adjustable shelf
①可调节层架 ②灵活掌控空间



圆角内胆
Fillet liner
①圆角内胆 ②方便储存 ③易清洁



360°万向轮脚
360° universal wheel foot
①带刹车万向轮脚 ②方便移动又稳固



Product advantages

产品优点

镀锌底及背
Galvanized bottom and back

304不锈钢外壳及内胆
304 stainless steel shell and liner

采用150mm高的可调子弹脚
150mm high adjustable bullet foot

自动化水设计
Condensate evaporates automatically

共配5个PE层网
5 PE layer network

数字温控
digital temperature control

220V/50Hz

内胆圆弧设计方便清洁
Arc design of the inner tank

Alternative configuration

备选配置

304不锈钢背
304 stainless steel back

304不锈钢底
304 stainless steel bottom

配灯
Lighting

发热玻璃门
heating glass door

双通门
Double-pass door

双通发热膜玻璃门(不适用于低温柜)
Double-pass heating film glass door
(not suitable for low-temperature cabinets)

下门改2抽屉(不适用于低温柜)
Change the door to 2 drawers
(not suitable for low-temperature cabinets)

下门改3抽屉(不适用于低温柜)
Change the door to 3 drawers
(not suitable for low temperature cabinets)

轮子wheel

型号 Model	尺寸 Dimension	名称 Title	制冷 System	温度 Temp °C	电压 Voltage	雪种 Ref.	容积 Volume
TG-0.5L1F	630*760/815*1980	1 door upright chiller	Air-cooled	+2~+8°C	220V/50Hz	R134a	412L
TG-0.5L1FM	630*760/815*1980	1 door upright chiller	Air-cooled	-2~+2°C	220V/50Hz	R134a	412L
TG-0.5L1FD	630*760/815*1980	1 door upright freezer	Air-cooled	-23~-18°C	220V/50Hz	R404a	412L
TG-0.5L2F	630*760/815*1980	2 doors upright chiller	Air-cooled	+2~+8°C	220V/50Hz	R134a	412L
TG-0.5L2FM	630*760/815*1980	2 doors upright chiller	Air-cooled	-2~+2°C	220V/50Hz	R134a	412L
TG-0.5L2FD	630*760/815*1980	2 doors upright freezer	Air-cooled	-23~-18°C	220V/50Hz	R404a	412L
TG-1.0L2F	1220*760/815*1980	2 doors upright chiller	Air-cooled	+2~+8°C	220V/50Hz	R134a	880L
TG-1.0L2FM	1220*760/815*1980	2 doors upright chiller	Air-cooled	-2~+2°C	220V/50Hz	R134a	880L
TG-1.0L2FD	1220*760/815*1980	2 doors upright freezer	Air-cooled	-23~-18°C	220V/50Hz	R404a	880L
TG-1.0L2FS	1220*760/815*1980	2 doors dual temp. fridge	Air-cooled	+2~+8°C /-23~-18°C	220V/50Hz	R404a	880L
TG-1.0L4F	1220*760/815*1980	4 doors upright chiller	Air-cooled	+2~+8°C	220V/50Hz	R134a	880L
TG-1.0L4FM	1220*760/815*1980	4 doors upright chiller	Air-cooled	-2~+2°C	220V/50Hz	R134a	880L
TG-1.0L4FD	1220*760/815*1980	4 doors upright freezer	Air-cooled	-23~-18°C	220V/50Hz	R404a	880L
TG-1.0L4FS	1220*760/815*1980	4 doors dual temp. fridge	Air-cooled	+2~+8°C /-23~-18°C	220V/50Hz	R404a	880L
TG-1.6L3F	1830*760/815*1980	3 doors upright chiller	Air-cooled	+2~+8°C	220V/50Hz	R134a	1300L
TG-1.6L3FM	1830*760/815*1980	3 doors upright chiller	Air-cooled	-2~+2°C	220V/50Hz	R134a	1300L
TG-1.6L3FD	1830*760/815*1980	3 doors upright freezer	Air-cooled	-23~-18°C	220V/50Hz	R404a	1300L
TG-1.6L3FS	1830*760/815*1980	3 doors dual temp. fridge	Air-cooled	+2~+8°C /-23~-18°C	220V/50Hz	R404a	1300L
TG-1.6L6F	1830*760/815*1980	6 doors upright chiller	Air-cooled	+2~+8°C	220V/50Hz	R134a	1300L
TG-1.6L6FM	1830*760/815*1980	6 doors upright chiller	Air-cooled	-2~+2°C	220V/50Hz	R134a	1300L
TG-1.6L6FD	1830*760/815*1980	6 doors upright freezer	Air-cooled	-23~-18°C	220V/50Hz	R404a	1300L
TG-1.6L4FS	1830*760/815*1980	6 doors dual temp. fridge	Air-cooled	+2~+8°C /-23~-18°C	220V/50Hz	R404a	1300L

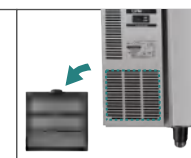
TG | TG款平台雪柜系列

TG SERIES AIR-COOLED COUNTER CHILLER & FREEZER



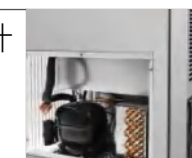
可拆卸过滤网设计 Detachable dust filter

- ①冷凝器过滤网可拆卸设计
- ②方便日常清洁或维护



外街式紧凑化机组设计 Modular compressor unit

- ①外街式紧凑化机组设计
- ②内部使用空间更大



自动蒸发水冷凝器 Auto water evaporation system, no need drainage

- ①自动站蒸发
- ②无需排水口



智能温控器 Smart thermostat

- ①数字温控 ②精准控温 ③精确到0.1°C



150mm高的可调子弹脚 150mm high adjustable bullet foot

- ①可调节子弹脚 ②地面不平也放得稳



加厚可调层架 Thickened adjustable shelf

- ①可调节层架 ②灵活掌控空间



圆角内胆 Fillet liner

- ①圆角内胆 ②方便储存 ③易清洁



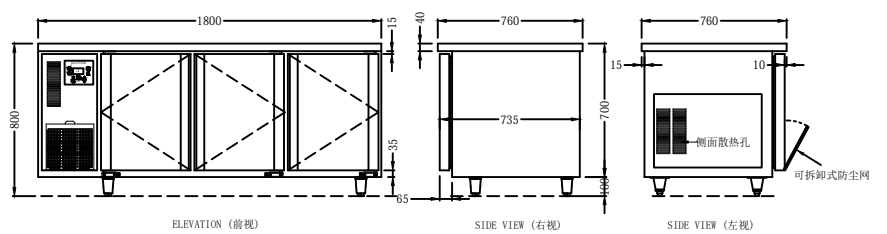
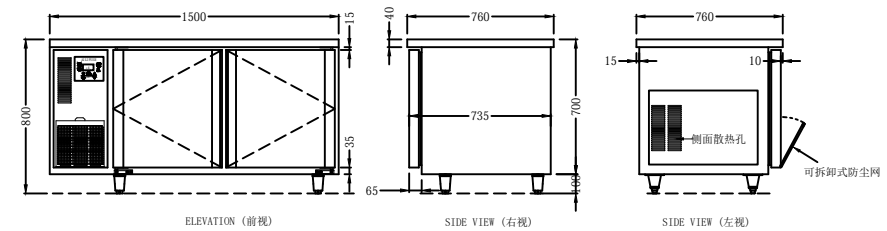
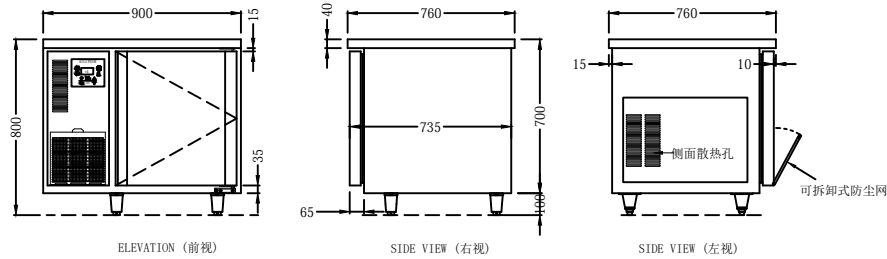
可拆卸密封条 Removable sealing strip

- ①可拆卸密封条 ②方便清洗



TG | TG款平台雪柜系列

TG SERIES AIR-COOLED COUNTER CHILLER & FREEZER



Product advantages 产品优点

304不锈钢外壳及内胆
304 stainless steel shell and liner

镀锌底及背
Galvanized bottom and back

采用150mm高的可调子弹脚
150mm high adjustable bullet foot

每个柜室配1个PE层网(仅限柜门式)
Each cabinet room is equipped with 1 PE layer net (only for cabinet door type)

自动化水设计
Auto water evaporation system, no need drainage

数字温控
digital temperature control

220V/50Hz

抽拉式机组设计, 便于清洁及维修
Pull-out unit design, easy to clean and maintain

内胆圆弧设计方便清洁
The arc design of the inner tank is convenient for cleaning

Alternative configuration 备选配置

304不锈钢底
304 stainless steel bottom

304不锈钢背
304 stainless steel back

高温雪柜配日光灯
chiller with fluorescent lamp

低温雪柜配LED灯
freezer with LED light

发热玻璃门
heating glass door

双通门
Double-pass door

单门改2抽屉
Single door changed to 2 drawers

单门改3抽屉
Single door changed to 3 drawers

单门改2/3+1/3抽屉
Single door changed to 2/3+1/3 drawer

背挡板
Splash back

50mm高踢脚板
50mm high skirting board

不锈钢裙脚
right unit

台面开口沙拉槽
Split unit optional

右边机组
right unit

分体机组可选
Split unit optional

轮子wheel

220V160Hz

型号 Model	尺寸 Dimension	名称 Title	制冷 System	温度 Temp °C	电压 Voltage	雪种 Ref.	容积 Volume
TG-0.1L1F	910*760*850	1 door counter chiller	Air-cooled	+1~+4°C	220V/50Hz	R134a	145L
TG-0.1L1FM	910*760*850	1 door counter chiller	Air-cooled	-2~+2°C	220V/50Hz	R134a	145L
TG-0.1L1FD	910*760*850	1 door counter freezer	Air-cooled	-22~-18°C	220V/50Hz	R404a	145L
TG-0.2L2F	1200*760*850	2 doors counter chiller	Air-cooled	+1~+4°C	220V/50Hz	R134a	263L
TG-0.2L2FM	1200*760*850	2 doors counter chiller	Air-cooled	-2~+2°C	220V/50Hz	R134a	263L
TG-0.2L2FD	1200*760*850	2 doors counter freezer	Air-cooled	-22~-18°C	220V/50Hz	R404a	263L
TG-0.3L2F	1500*760*850	2 doors counter chiller	Air-cooled	+1~+4°C	220V/50Hz	R134a	370L
TG-0.3L2FM	1500*760*850	2 doors counter chiller	Air-cooled	-2~+2°C	220V/50Hz	R134a	370L
TG-0.3L2FD	1500*760*850	2 doors counter freezer	Air-cooled	-22~-18°C	220V/50Hz	R404a	370L
TG-0.4L2F	1800*760*850	2 doors counter chiller	Air-cooled	+1~+4°C	220V/50Hz	R134a	478L
TG-0.4L2FM	1800*760*850	2 doors counter chiller	Air-cooled	-2~+2°C	220V/50Hz	R134a	478L
TG-0.4L2FD	1800*760*850	2 doors counter freezer	Air-cooled	-22~-18°C	220V/50Hz	R404a	478L
TG-0.4L3F	1800*760*850	3 doors counter chiller	Air-cooled	+1~+4°C	220V/50Hz	R134a	478L
TG-0.4L3FM	1800*760*850	3 doors counter chiller	Air-cooled	-2~+2°C	220V/50Hz	R134a	478L
TG-0.4L3FD	1800*760*850	3 doors counter freezer	Air-cooled	-22~-18°C	220V/50Hz	R404a	478L

GN | GN款高身雪柜

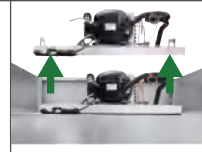
GN SERIES AIR-COOLED UPRIGHT CHILLER & FREEZER



可拆卸机组设计

Detachable compressor uni

- ①制冷机组可拆卸式设计
- ②方便维修或更换机组



可拆卸过滤网设计

Detachable dust filter

- ①冷凝器过滤网可拆卸设计
- ②方便日常清洁或维护



进口压缩机

Secop compressor from Germany

- ①高效率 ②低能耗 ③低维修率



智能温控器

Smart thermostat

- ①数字温控 ②精准控温 ③精确到0.1°C



风循环制冷

Fierce fan cooling circulation

- ①风冷无霜 ②制冷快速 ③冷气均匀



加厚可调层架

Thickened adjustable shelf

- ①可调节层架 ②灵活掌控空间



圆角内胆

Fillet liner

- ①圆角内胆 ②方便储存 ③易清洁



360°万向轮脚

360° universal wheel foot

- ①带刹车万向轮脚 ②方便移动又稳固



自动蒸发水冷凝器

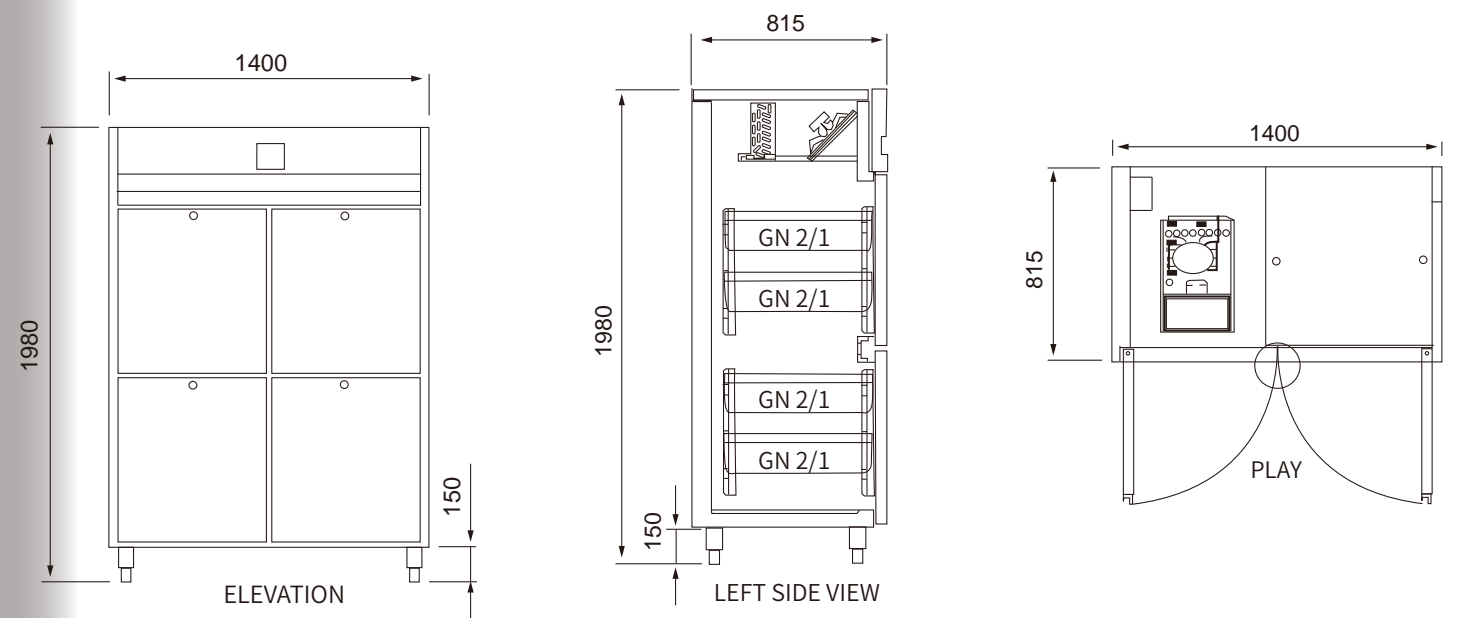
Auto water evaporation system, no need drainage

- ①自动蒸发 ②无需排水口



GN | GN款高身雪柜系列

GN SERIES AIR-COOLED UPRIGHT CHILLER & FREEZER



Product advantages

产品优点

镀锌底及背
Galvanized bottom and back

304不锈钢外壳及内胆
304 stainless steel shell and liner

采用150mm高的可调子弹脚
150mm high adjustable bullet foot

自动化水设计
Auto water evaporation system, no need drainage

每个柜室配2对托角和2个PE层网
Auto water evaporation system, no need drainage

适用于2/1GN盘
Suitable for 2/1GN

数字温控
digital temperature control

220V/50Hz

内胆圆弧设计方便清洁
The arc design of the inner tank is convenient for cleaning

Alternative configuration

备选配置

304不锈钢背
304 stainless steel back

304不锈钢底
304 stainless steel bottom

配灯Lighting

发热玻璃门
Heating glass door

双通门Double-pass door

双通发热膜玻璃门(不适用于低温柜)
Double-pass heating film glass door (not suitable for low-temperature cabinets)

下门改2抽屉(不适用于低温柜)
Change the door to 2 drawers (not suitable for freezer)

下门改3抽屉(不适用于低温柜)
Change the door to 3 drawers (not suitable for freezer)

轮子Wheel

220V/60Hz

GN | GN款平台雪柜系列

GN SERIES AIR-COOLED COUNTER CHILLER & FREEZER



型号 Model	尺寸 Dimension	名称 Title	制冷 System	温度 Temp. °C	电压 Voltage	雪种 Ref.	容积 Volume
ALPS-0.5L1F	737*815*1980	1 door upright chiller	Air-cooled	+1~+4°C	220V/50Hz	R134a	550L
ALPS-0.5L1FM	737*815*1980	1 door upright chiller	Air-cooled	-2~+2°C	220V/50Hz	R134a	550L
ALPS-0.5L1FD	737*815*1980	1 door upright freezer	Air-cooled	-22~-18°C	220V/50Hz	R404a	550L
ALPS-1.0L2F	1400*815*1980	2 doors upright chiller	Air-cooled	+1~+4°C	220V/50Hz	R134a	1170L
ALPS-1.0L2FM	1400*815*1980	2 doors upright chiller	Air-cooled	-2~+2°C	220V/50Hz	R134a	1170L
ALPS-1.0L2FD	1400*815*1980	2 doors upright freezer	Air-cooled	-22~-18°C	220V/50Hz	R404a	1170L
ALPS-0.5L2F	737*815*1980	2 doors upright chiller	Air-cooled	+1~+4°C	220V/50Hz	R134a	550L
ALPS-0.5L2FM	737*815*1980	2 doors upright chiller	Air-cooled	-2~+2°C	220V/50Hz	R134a	550L
ALPS-0.5L2FD	737*815*1980	2 doors upright freezer	Air-cooled	-22~-18°C	220V/50Hz	R404a	550L
ALPS-1.0L4F	1400*815*1980	4 doors upright chiller	Air-cooled	+1~+4°C	220V/50Hz	R134a	1170L
ALPS-1.0L4FM	1400*815*1980	4 doors upright chiller	Air-cooled	-2~+2°C	220V/50Hz	R134a	1170L
ALPS-1.0L4FD	1400*815*1980	4 doors upright freezer	Air-cooled	-22~-18°C	220V/50Hz	R404a	1170L

150mm高的可调子弹脚
150mm high adjustable bullet foot

①可调节子弹脚 ②地面不平也放得稳



抽拉式机组设计
Pull-out unit design

①模块化机组设计 ②方便清洁和维修



圆角内胆
Fillet liner

①圆角内胆 ②方便储存 ③易清洁



智能温控器
digital temperature control

①数字温控 ②精准控温 ③精确到0.1°C



适用于1/1GN盘
Suitable for 1/1GN disks



灯光设计
Lighting Design

①高温雪柜配日光灯 ②低温雪柜配LED灯



GN | GN款平台雪柜系列

GN SERIES AIR-COOLED COUNTER CHILLER & FREEZER



Product advantages

产品优点

304不锈钢外壳及内胆
304 stainless steel shell and liner

镀锌底及背
Galvanized bottom and back

采用150mm高的可调子弹脚
150mm high adjustable bullet foot

每个柜室配2对托角和2个PE层网(仅限柜门式)
Each cabinet room is equipped with 2 pairs of brackets and 2 PE layer nets (only for cabinet door type)

适用于1/1GN盘 Suitable for 1/1GN

自动化水设计
Auto water evaporation system, no need drainage

数字温控
digital temperature control

220V/50Hz

抽拉式机组设计, 便于清洁及维修
Pull-out unit design, easy to clean and maintain

内胆圆弧设计方便清洁
The arc design of the inner tank is convenient for cleaning

Alternative configuration

备选配置

304不锈钢底
304 stainless steel bottom

304不锈钢背
304 stainless steel back

高温雪柜配日光灯
chiller with fluorescent lamp

低温雪柜配LED灯
freezer with LED light

发热玻璃门
heating glass door

双通门
Double-pass door

单门改2抽屉
Single door changed to 2 drawers

单门改3抽屉
Single door changed to 3 drawers

单门改2/3+1/3抽屉
Single door changed to 2/3+1/3 drawer

背挡板 Splash back

50mm高踢脚板
50mm high skirting board

不锈钢裙脚
stainless steel foot

轮子 wheel

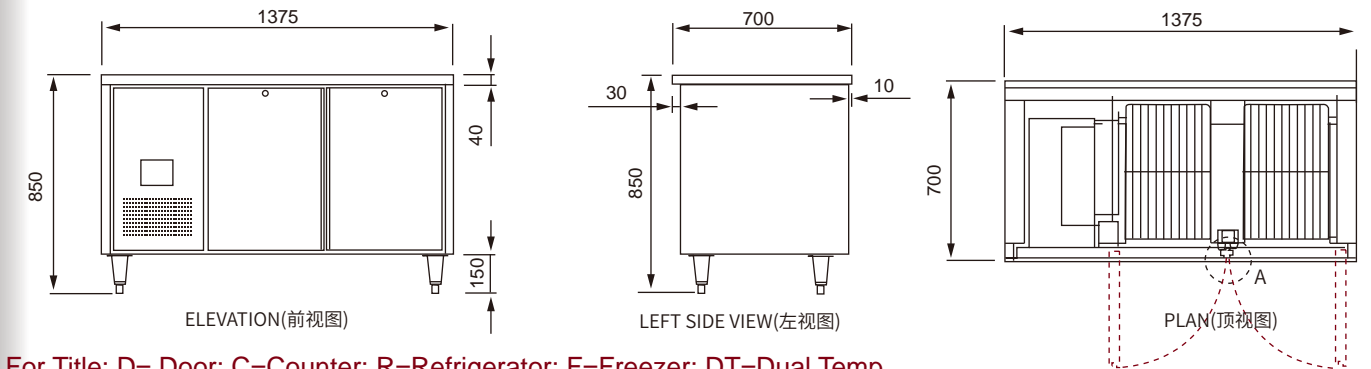
台面开口沙拉槽
countertop salad sink

右边机组 right unit

分体机组可选
Split unit optional

220V160Hz

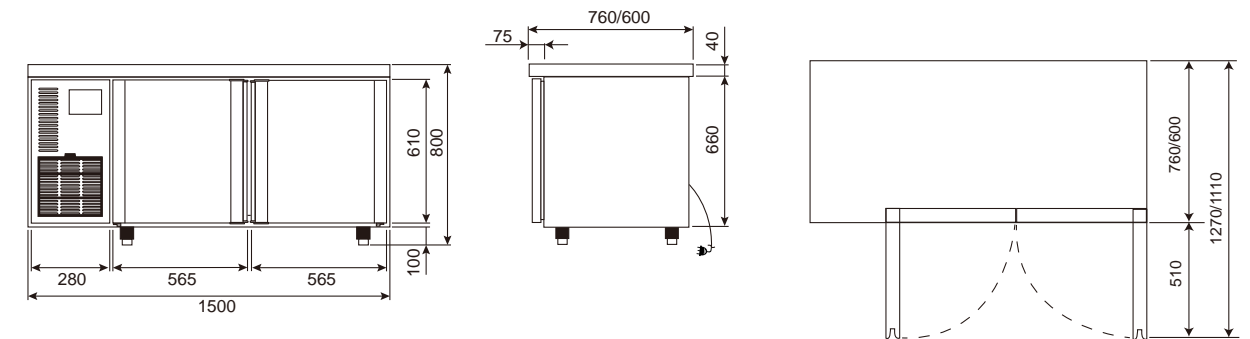
1/1GN平台雪柜系列 1/1GN COUNTER CHILLER & FREEZER



For Title: D= Door; C=Counter; R=Refrigerator; F=Freezer; DT=Dual Temp

型号 Model	尺寸 Dimension	名称 Title	制冷 System	温度 Temp C	电压 Voltage	雪种 Ref.	容积 Volume
ALPS-0.1L1F	910*700*850	1/1gn counter chiller & freezer	Air-cooled	+1~+4°C	220V/50Hz	R134a	128L
ALPS-0.1L1FM	910*700*850	1/1gn counter chiller & freezer	Air-cooled	-2~+2°C	220V/50Hz	R134a	128L
ALPS-0.1L1FD	910*700*850	1/1gn counter chiller & freezer	Air-cooled	-22~-18°C	220V/50Hz	R404a	128L
ALPS-0.3L2F	1375*700*850	1/1gn counter chiller & freezer	Air-cooled	+1~+4°C	220V/50Hz	R134a	280L
ALPS-0.3L2FM	1375*700*850	1/1gn counter chiller & freezer	Air-cooled	-2~+2°C	220V/50Hz	R134a	280L
ALPS-0.3L2FD	1375*700*850	1/1gn counter chiller & freezer	Air-cooled	-22~-18°C	220V/50Hz	R404a	280L
ALPS-0.4L3F	1840*700*850	1/1gn counter chiller & freezer	Air-cooled	+1~+4°C	220V/50Hz	R134a	430L
ALPS-0.4L3FM	1840*700*850	1/1gn counter chiller & freezer	Air-cooled	-2~+2°C	220V/50Hz	R134a	430L
ALPS-0.4L3FD	1840*700*850	1/1gn counter chiller & freezer	Air-cooled	-22~-18°C	220V/50Hz	R404a	430L

2/1GN平台雪柜系列 2/1GN COUNTER CHILLER & FREEZER



For Title: D= Door; C=Counter; R=Refrigerator; F=Freezer; DT=Dual Temp

型号 Model	尺寸 Dimension	名称 Title	制冷 System	温度 Temp C	电压 Voltage	雪种 Ref.	容积 Volume
ALPS-0.2L1F	1115*770*850	2/1gn counter chiller & freezer	Air-cooled	+1~+4°C	220V/50Hz	R134a	232L
ALPS-0.2L1FM	1115*770*850	2/1gn counter chiller & freezer	Air-cooled	-2~+2°C	220V/50Hz	R134a	232L
ALPS-0.2L1FD	1115*770*850	2/1gn counter chiller & freezer	Air-cooled	-22~-18°C	220V/50Hz	R404a	232L
ALPS-0.4L2F	1785*700*850	2/1gn counter chiller & freezer	Air-cooled	+1~+4°C	220V/50Hz	R134a	492L
ALPS-0.4L2FM	1785*700*850	2/1gn counter chiller & freezer	Air-cooled	-2~+2°C	220V/50Hz	R134a	492L
ALPS-0.4L2FD	1785*700*850	2/1gn counter chiller & freezer	Air-cooled	-22~-18°C	220V/50Hz	R404a	492L

BANQUET

宴会冷、热柜 BANQUET CART CHILLER & WARMER



适用于2/1GN盘
Suitable for 2/1GN



智能温控器
Smart Thermostat
①数字温控 ②精准控温



304不锈钢外壳及内胆
304 stainless steel shell and liner
steel exterior and interior



150mm高重型
旋转式制动轮子
150mm high heavy-duty swivel
brake wheels



内胆圆弧设计方便清洁
The arc design of the inner tank is
convenient for cleaning



ALTERNATIVE CONFIGURATION 备选配置

单门配16对托角
Single door with 16 pairs of brackets
双门配32对托角
Double door with 32 pairs of brackets

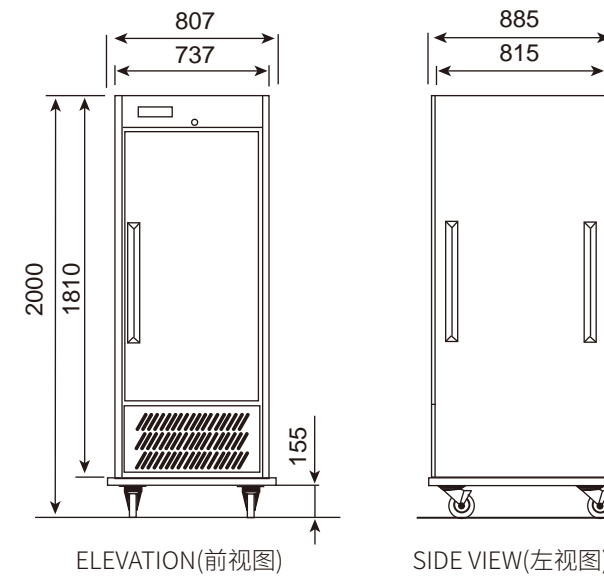
220~240V/50~60Hz

110V/60Hz

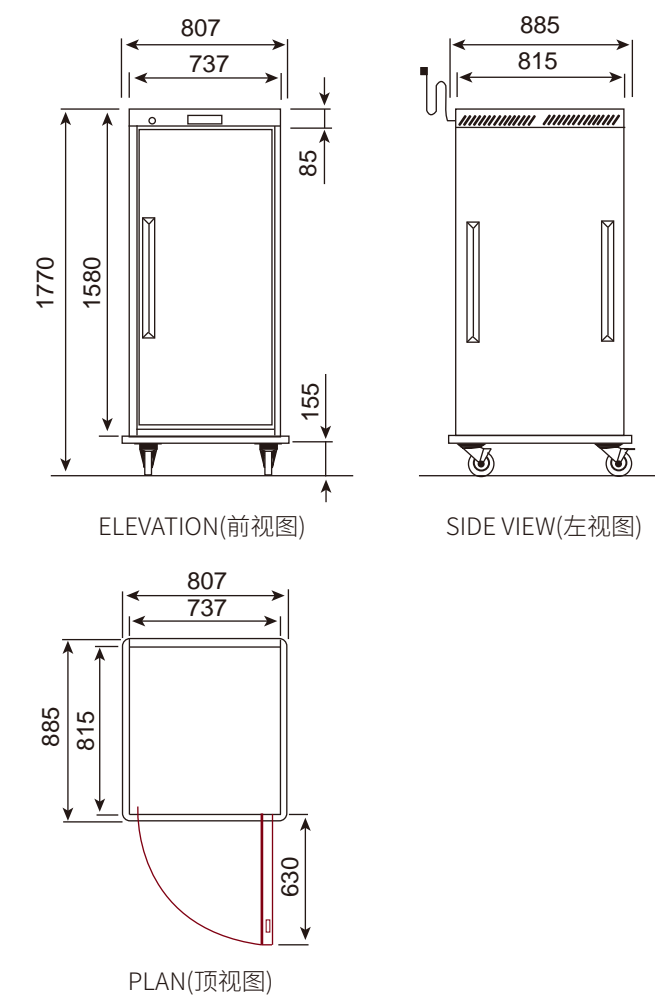
宴会冷、热柜

BANQUET CART CHILLER & WARMER

冷柜系列BANQUET CART CHILLER



热柜系列BANQUET CART WARMER



For Title: D= Door; B=Banquet; F=Freezer;H=Hot; C=Cabinet.

型号 Model	尺寸 Dimension	名称 Title	制冷 System	温度 Temp °C	电压 Voltage	雪种 Ref.	容积 Volume
ALPS-R1D	807*885*2000	1D B F	Air-cooled	+1~+4°C	220V/50Hz	R134a	495L
ALPS-R2D	1470*885*2000	2D B F	Air-cooled	+1~+4°C	220V/50Hz	R134a	1055L
ALPS-H1D	807*885*1770	1D B H C	—	+78~+82°C	220V/50Hz	—	525L
ALPS-H2D	630*760*1980	2D B H C	—	+78~+82°C	220V/50Hz	—	1180L

CHEF BASE

炉台柜

CHEF BASE
REFRIGERATOR SERIES



Product advantages 产品特点

304不锈钢外壳及内胆
304 stainless steel shell and liner

镀锌底及背
Galvanized bottom and back

适用于1/1GN盘
Suitable for 1/1GN

自动化水设计
Auto water evaporation system, no need drainage

110V/60Hz

数字温控
digital temperature control

抽拉式机组设计便于清洁及维修
Pull-out unit design, easy to clean and maintain

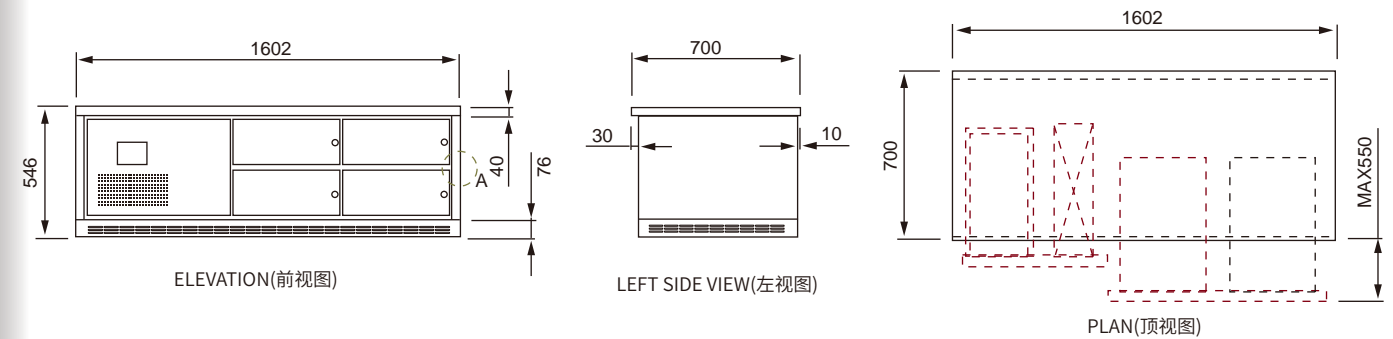
Alternative configuration 备选配置

304不锈钢底
304 stainless steel bottom

304不锈钢背
304 stainless steel back

右边机组
right unit

分体机组可选
Split unit optional



For Title : Dr=Drawer; Cb=Chefbase; R=Refrigerator; F=Freezer

型号 Model	尺寸 Dimension	名称 Title	制冷 System	温度 Temp C	电压 Voltage	雪种 Ref.	容积 Volume
ALPS-1G1NF	1145*700*546	2Dr Cb R	Air-cooled	+1~+4°C	220V/50Hz	R134a	75L
ALPS-1G1NFM	1145*700*546	2Dr Cb R	Air-cooled	-2~+2°C	220V/50Hz	R134a	75L
ALPS-1G1NFD	1145*700*546	2Dr Cb F	Air-cooled	-22~-18°C	220V/50Hz	R404a	75L
ALPS-1G2NF	1602*700*546	4Dr Cb R	Air-cooled	+1~+4°C	220V/50Hz	R134a	180L
ALPS-1G2NFM	1602*700*546	4Dr Cb R	Air-cooled	-2~+2°C	220V/50Hz	R134a	180L
ALPS-1G2NFD	1602*700*546	4Dr Cb F	Air-cooled	-22~-18°C	220V/50Hz	R404a	180L
ALPS-1G3NF	2060*700*546	6Dr Cb R	Air-cooled	+1~+4°C	220V/50Hz	R134a	250L
ALPS-1G3NFM	2060*700*546	6Dr Cb R	Fan-cooling	-2~+2°C	220V/50Hz	R134a	250L
ALPS-1G3NFD	2060*700*546	6Dr Cb F	Air-cooled	-22~-18°C	220V/50Hz	R404a	250L

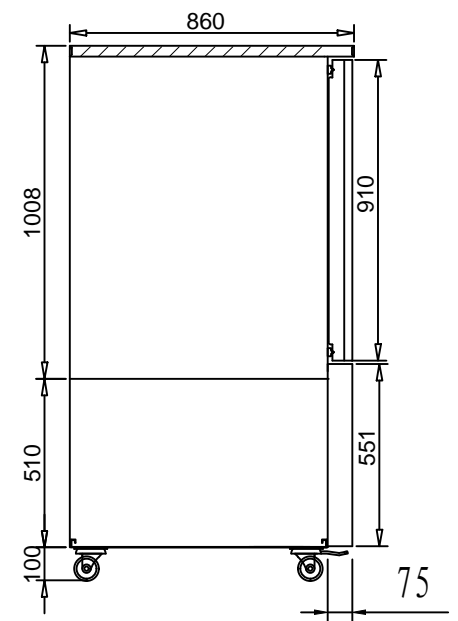
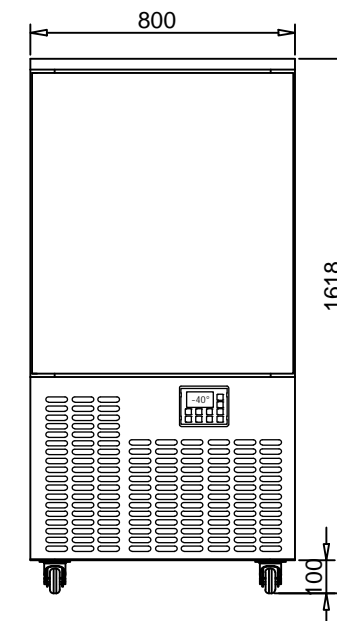
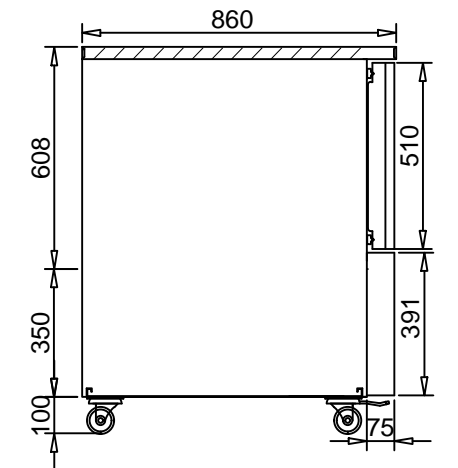
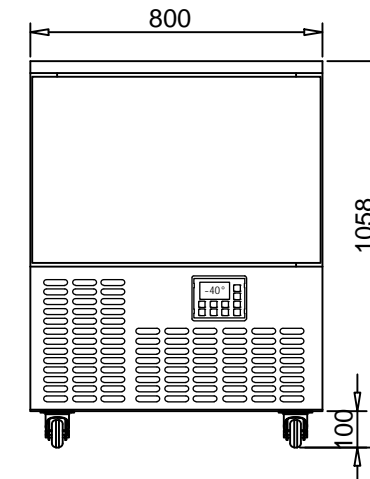
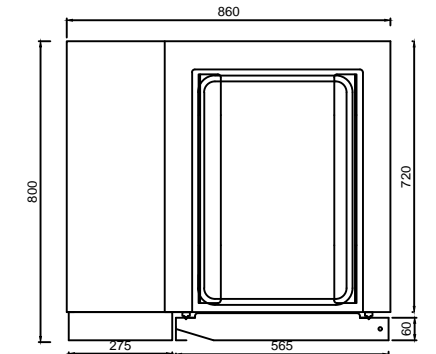
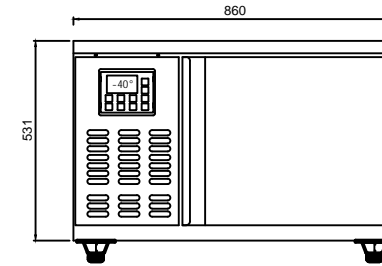
BLAST FREEZER

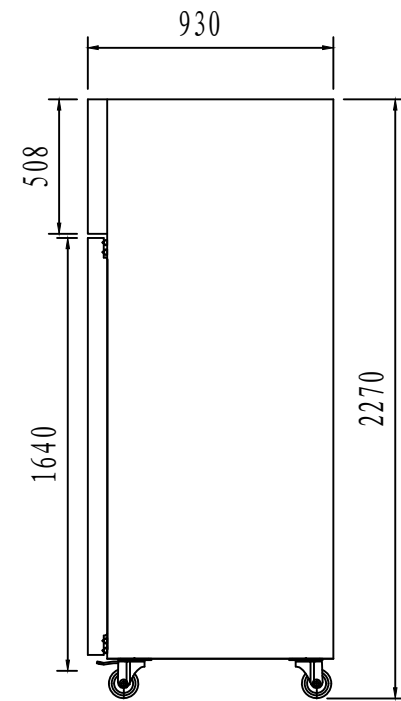
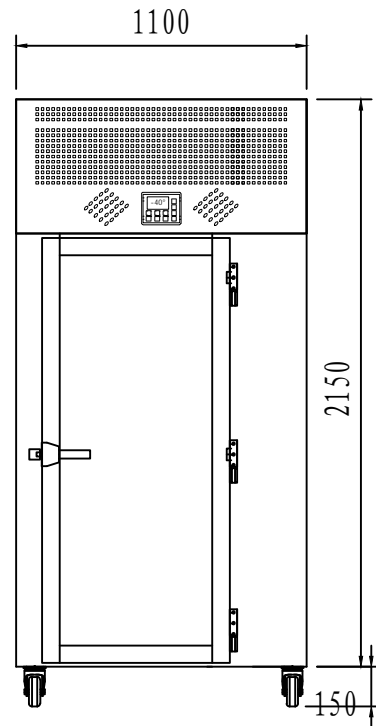
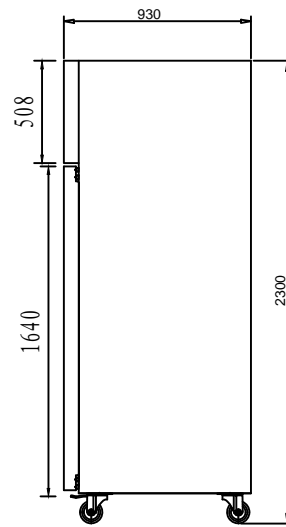
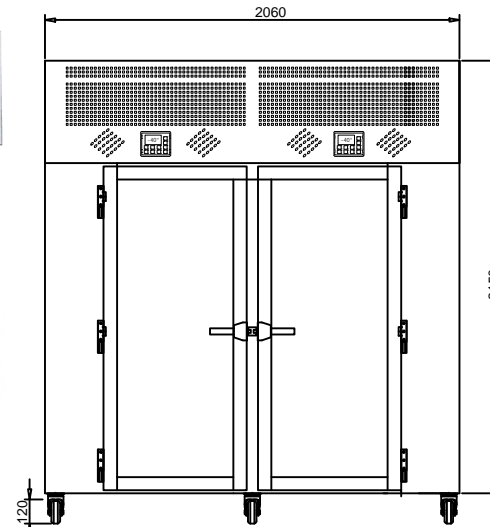
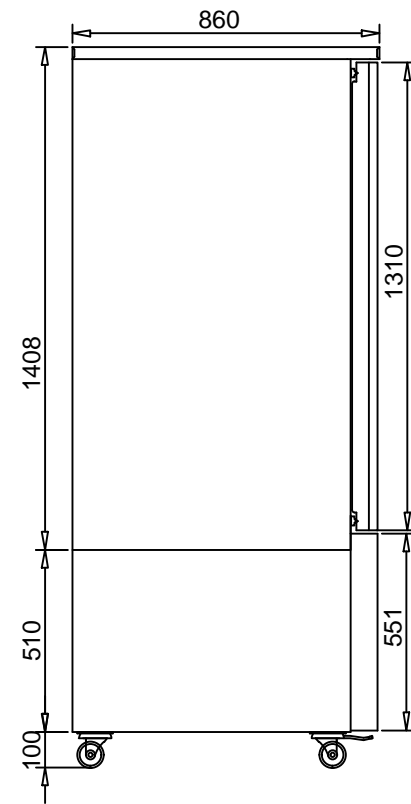
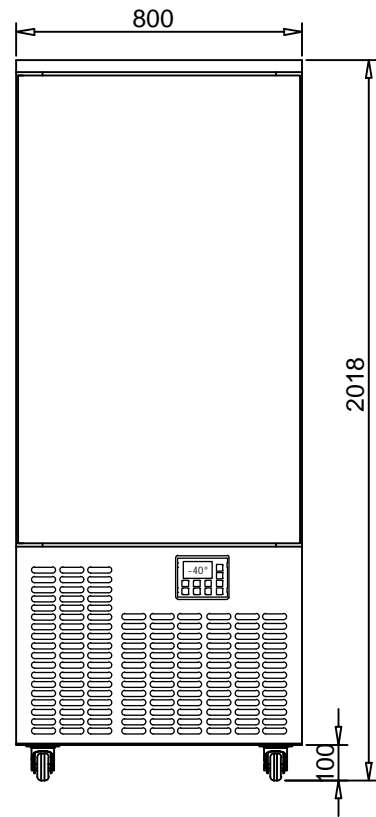
速冻柜 BLAST FREEZER



<p>烘焙 Baking</p> <p>速冻柜急冻 → 冷冻柜储藏 烤箱 ← 醒发箱 ←</p>	
<p>冰淇淋 Ice cream</p> <p>搅拌机 → 速冻柜急冻 冰淇淋展示柜 ← 冷冻柜储藏 ←</p>	
<p>甜品 Ice cream</p> <p>烤箱 → 速冻柜急冻 冷冻柜储藏 ←</p>	
<p>酱料 Sauce</p> <p>酱料炉 → 速冻柜快速冷却 真空包装 ←</p>	
<p>烤肉 Roast meat</p> <p>万能蒸烤箱 → 速冻柜急冻 万能蒸烤箱 ← 冷冻柜储藏 ←</p>	
<p>海鲜 Seafood</p> <p>速冻柜急冻 → 冷冻柜储藏 万能蒸烤箱 ← 解冻柜 ←</p>	

多功能速冻柜 BLAST FREEZER





型号 Model	尺寸 Dimension	名称 Title	制冷 System	温度 Temp C	电压 Voltage	雪种 Ref.	盘 trays
LN-E3	860*800*705	Blast Freezer	Air-cooled	+3°C~-40°C	AC220V 2N~50HZ	R-404a	3盘
LN-E5	800*870*1060	Blast Freezer	Air-cooled	+3°C~-40°C	AC220V 2N~50HZ	R-404a	5盘
LN-E10	860*800*1620	Blast Freezer	Air-cooled	+3°C~-40°C	AC220V 2N~50HZ	R-404a	10盘
LN-E15	800*870*1060	Blast Freezer	Air-cooled	+3°C~-40°C	AC220V 2N~50HZ	R-404a	15盘
LN-E15T	1100*930*2240	Blast Freezer	Air-cooled	+3°C~-40°C	AC220V 2N~50HZ	R-404a	15盘
LN-E22T	1450*1180*1940	Blast Freezer	Air-cooled	+3°C~-40°C	AC380V 3N~50HZ	R-404a	22盘
LN-E30T	1450*1180*2240	Blast Freezer	Air-cooled	+3°C~-40°C	AC380V 3N~50HZ	R-404a	30盘
LN-E40T	1700*1180*2200	Blast Freezer	Air-cooled	+3°C~-40°C	AC380V 3N~50HZ	R-404a	40盘
LN-E60T	2840*1180*2240	Blast Freezer	Air-cooled	+3°C~-40°C	AC380V 3N~50HZ	R-404a	60盘

深冷(风冷)速冻柜

BLAST FREEZER



①设备采用欧洲进口泰康\TECUMSEH、北京比泽尔\BITZER等品牌压缩机

①The equipment adopts TAIKANG、TECUMSEH、BITZER and other brand compressors

②深层冷冻:+90度至-18度/240分钟

②Deep freezing: +90°C to -18°C / 240 minutes

③快速冷冻:+90至+3度/90分钟

③Quick freezing: +90°C to +3°C / 90 minutes

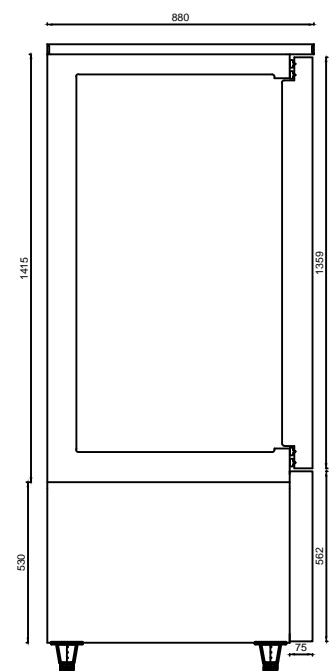
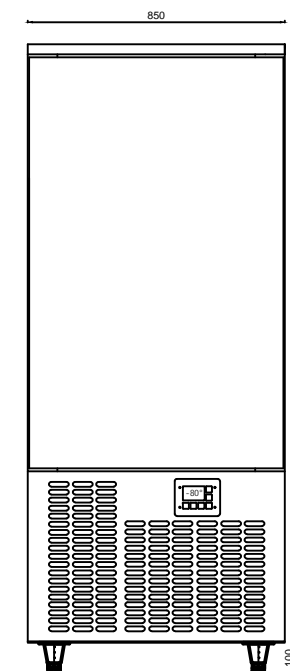
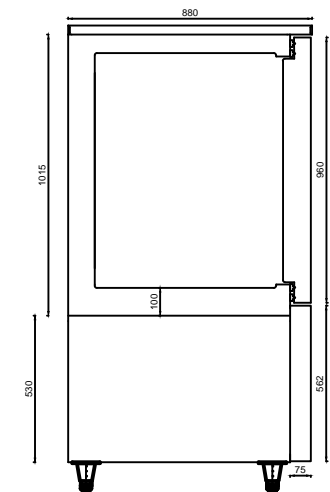
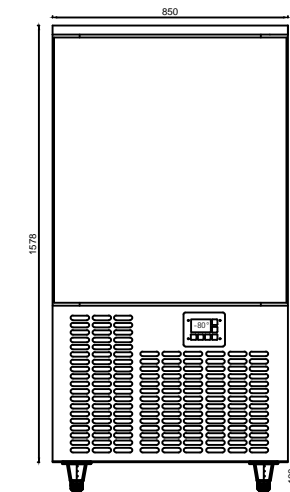
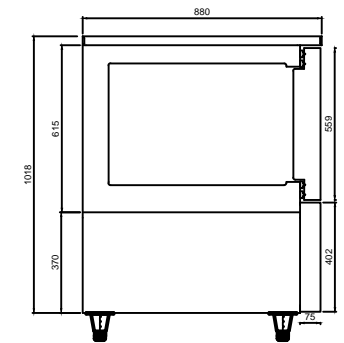
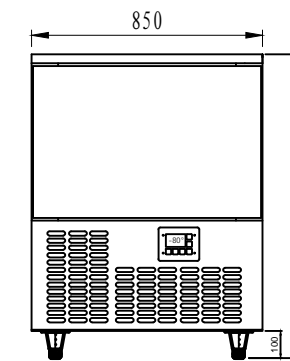
④本产品适用于餐饮、甜品、烘焙、冰激凌等行业。

④This product is suitable for catering, desserts, baking, ice cream and other industries.

型号 Model	尺寸 Dimension	名称 Title	制冷 System	温度 Temp C	电压 Voltage	雪种 Ref.	盘 trays
LN-SCE5	850*890*1120	Blast Freezer	Air-cooled	+3°C~-80°C	AC220V 2N~50HZ	R-404a混合雪种/R-23	5盘
LN-SCE10	850*890*1680	Blast Freezer	Air-cooled	+3°C~-80°C	AC220V 2N~50HZ	R-404a混合雪种/R-23	10盘
LN-SCE15	850*890*2080	Blast Freezer	Air-cooled	+3°C~-80°C	AC380V 3N~50HZ	R-404a混合雪种/R-23	15盘
LN-SCE22T	1450*1180*1940	Blast Freezer	Air-cooled	+3°C~-80°C	AC380V 3N~50HZ	R-404a混合雪种/R-23	22盘
LN-SCE30T	1450*1180*2240	Blast Freezer	Air-cooled	+3°C~-80°C	AC380V 3N~50HZ	R-404a混合雪种/R-23	30盘
LN-ES10K	850*890*1120	Blast Freezer	Air-cooled	+3°C~-80°C	AC220V 2N~50HZ	R-404a/R-23	10kg
LN-ES20K	850*890*1680	Blast Freezer	Air-cooled	+3°C~-80°C	AC220V 2N~50HZ	R-404a/R-23	20kg
LN-ES30K	850*890*2080	Blast Freezer	Air-cooled	+3°C~-80°C	AC380V 3N~50HZ	R-404a/R-23	30kg
LN-ES100K	2130*1100*2030	Blast Freezer	Air-cooled	+3°C~-80°C	AC380V 3N~50HZ	R-404a/R-23	100kg
LN-ES200K	3000*1100*2030	Blast Freezer	Air-cooled	+3°C~-80°C	AC380V 3N~50HZ	R-404a/R-23	200kg

深冷(风冷)速冻柜

BLAST FREEZER



PUSH-IN FRIDGE

推入式雪柜系列 PUSH-IN FRIDGE & FREEZER SERIES



Product advantages

产品优点

自动化水设计
Self evaporating, condensation
water drainage not required

304不锈钢外壳及内胆
304 grade stainless steel exterior and interior

适用于2/1GN推车
Accommodate 2/1 GN size

数字温控
Digital Control

220~240V/50~60Hz

内胆圆弧设计方便清洁
The liner arc design is convenient to clean

Alternative configuration

备选配置

304不锈钢背
304 stainless steel back

配日光灯或LED灯
With fluorescent or LED lights

发热膜玻璃门
Heated glass door in lieu of stainless steel door

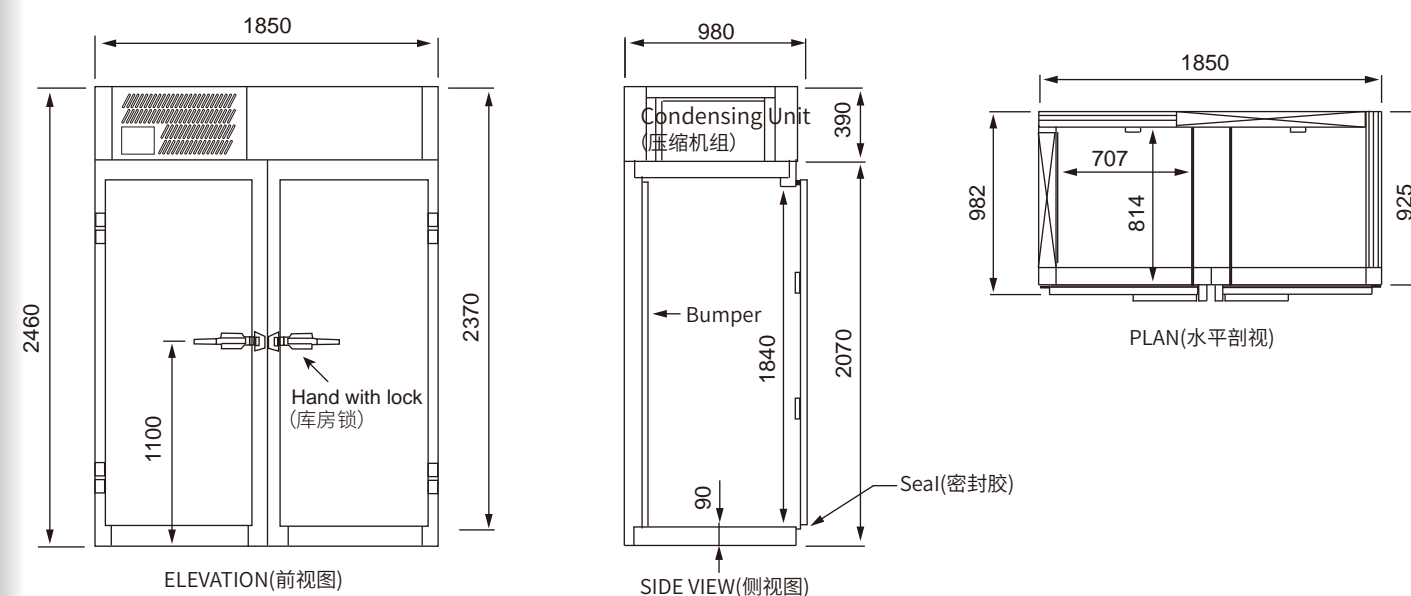
双通门
Roll through door

1.5mm厚底板
1.5mm floor panel

配斜坡
Ramp with insulated floor

柜门弹簧锁
Latch door lock

110V/60Hz



For Title: D=Door; PT=Pass Through; WI=ROLL-In; R=Refrigerator; F=Freezer

型号 Model	尺寸 Dimension	名称 Title	制冷 System	温度 Temp °C	电压 Voltage	雪种 Ref.	容积 Volume
ALPS-P1F	905*980*2460	1D WI R	Air-cooled	+1~+4°C	220V/50Hz	R134a	1035L
ALPS-P1FM	905*980*2460	1D WI R	Air-cooled	-2~+2°C	220V/50Hz	R134a	1035L
ALPS-P1FD	905*980*2460	1D WI F	Air-cooled	-22~-18°C	220V/50Hz	R404a	1035L
ALPS-P2F	1850*980*2460	2D WI R	Air-cooled	+1~+4°C	220V/50Hz	R134a	2450L
ALPS-P2FM	1850*980*2460	2D WI R	Air-cooled	-2~+2°C	220V/50Hz	R134a	2450L
ALPS-P2FD	1850*980*2460	2D WI F	Air-cooled	-22~-18°C	220V/50Hz	R404a	2450L
ALPS-P1F-PT	905*980*2460	1D PT WI R	Air-cooled	+1~+4°C	220V/50Hz	R134a	1090L
ALPS-P1FM-PT	905*980*2460	1D PT WI R	Air-cooled	-2~+2°C	220V/50Hz	R134a	1090L
ALPS-P1FD-PT	905*980*2460	1D PT WI F	Air-cooled	-22~-18°C	220V/50Hz	R404a	1090L
ALPS-P2F-PT	1850*980*2460	2D PT WI R	Air-cooled	+1~+4°C	220V/50Hz	R134a	2590L
ALPS-P2FM-PT	1850*980*2460	2D PT WI R	Air-cooled	-2~+2°C	220V/50Hz	R134a	2590L
ALPS-P2FD-PT	1850*980*2460	2D PT WI F	Air-cooled	-22~-18°C	220V/50Hz	R404a	2590L

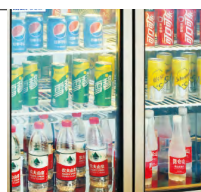
BEVERAGE COOLER SERIES

饮料展示柜 BEVERAGE COOLER SERIES



双层充氩气镀膜玻璃
Filled with double glazed
Argon gas sliding doors

①美观耐用 ②透视新鲜



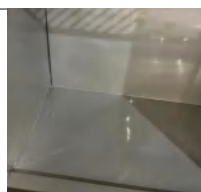
风冷无霜, 自动蒸发霜水
Self evaporating, condensation
water drainage not required

①制冷快速 ②冷气均匀



304不锈钢外壳及
304BA镜钢内胆
304 grade stainless steel exterior
and 340 grade BA mirror stainless
steel interior

①耐腐蚀 ②易清洁



智能温控器
Smart Thermostat

①数字温控 ②精准控温



PRODUCT FEATURES

产品优点

自动化水设计
Self evaporating, condensation
water drainage not required

镀锌底及背
Galvanized steel back and base

柜门配圆锁
Fitted with fluorescent lamp

配日光灯
Fitted with fluorescent lamp

220~240V/50~60Hz

内胆圆弧设计方便清洁
The liner arc design is convenient to clean

ALTERNATIVE

备选配置

304不锈钢背板
304 stainless steel back

304不锈钢底板
304 stainless steel base

黑色外壳
Black colour bond exterior

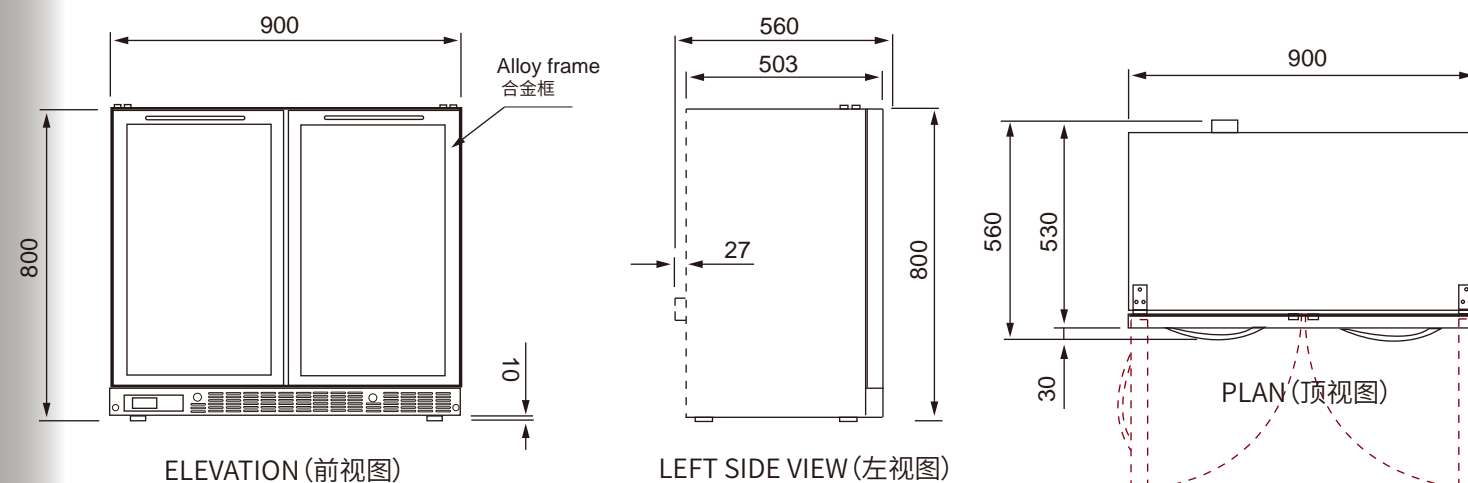
黑色背板
Black colour bond back

不锈钢实心门
Stainless steel solid door

改为高身饮品柜

柜身高度为900mm(带台面)
Changes as upright beverage display coolers

110V/60Hz



型号 Model	尺寸 Dimension	名称 Title	制冷 System	温度 Temp C	电压 Voltage	雪种 Ref.	容积 Volume
ALPS-BC1GD	600*560*800	1 door beer refrigerator	Air-cooled	+2~+8°C	220V/50Hz	R134a	115L
ALPS-BC2GD	900*560*800	2 door beer refrigerator	Air-cooled	+2~+8°C	220V/50Hz	R134a	170L
ALPS-BC3GD	1350*560*800	3 door beer refrigerator	Air-cooled	+2~+8°C	220V/50Hz	R134a	268L
ALPS-BR1GD	600*560*900	1 door beer refrigerator	Air-cooled	+2~+8°C	220V/50Hz	R134a	120L
ALPS-BR2GD	900*560*900	2 door beer refrigerator	Air-cooled	+2~+8°C	220V/50Hz	R134a	180L
ALPS-BR3GD	1350*560*900	3 door beer refrigerator	Air-cooled	+2~+8°C	220V/50Hz	R134a	278L

WINE FRIDGE

红酒展示柜系列 WINE FRIDGE DISPLAY



PRODUCT FEATURES

产品优点

酒柜内配LED照明灯
Built-in LED lighting

顶部蒸发器可拆卸
Removable top evaporator section

操作简便的数字控制面板配搭故障提示系统
Digital controller for easy operation and fail-safe performance, featuring clear digital display

配置化水装置, 无需连接排水管
Defrost water-Vvaporiser, drain connection not required

门边发热线防止冷凝水的产生
Anti-condensation door/ drawer frame heaters

有效率的风冷系统
Efficient forced air cooling system

220~240V/50~60Hz

内胆圆弧设计方便清洁
The liner arc design is convenient to clean

电镀不锈钢酒架(酒瓶摆放方式可选)
Slanted chrome coated stainless steel wine rack (different orientations available)

ALTERNATIVE

备选配置

分体式及整体式机组
Available in remote or self-contained condensing unit

柜门配圆锁、电磁锁及客户指定锁
Cylindrical lock, magnetic Lock or any customised Lock for door

底部可配花纹装饰玻璃
Floral pattern decorative glass in base section

不同颜色和板材可选
Different colors and finishes

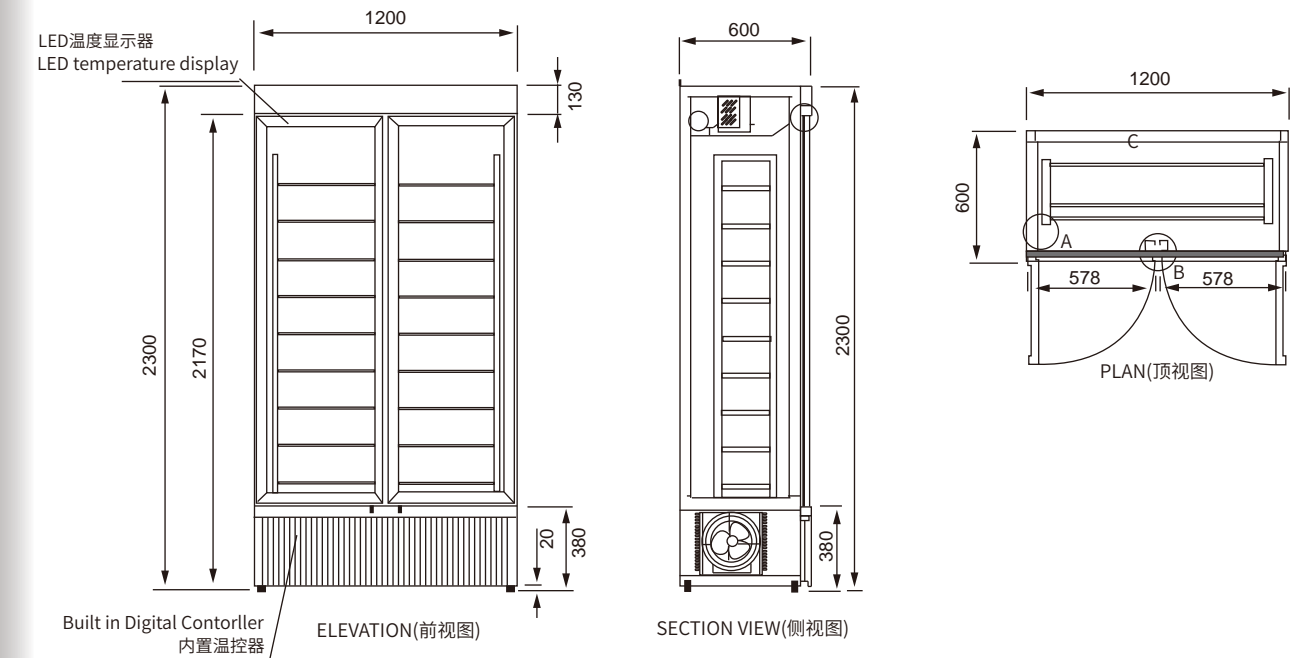
所有可见边V-Cut
V-cut for all visible bends

单、双、三、四面玻璃可选
Choice of 1-, 2- 3-or 4-sides glass

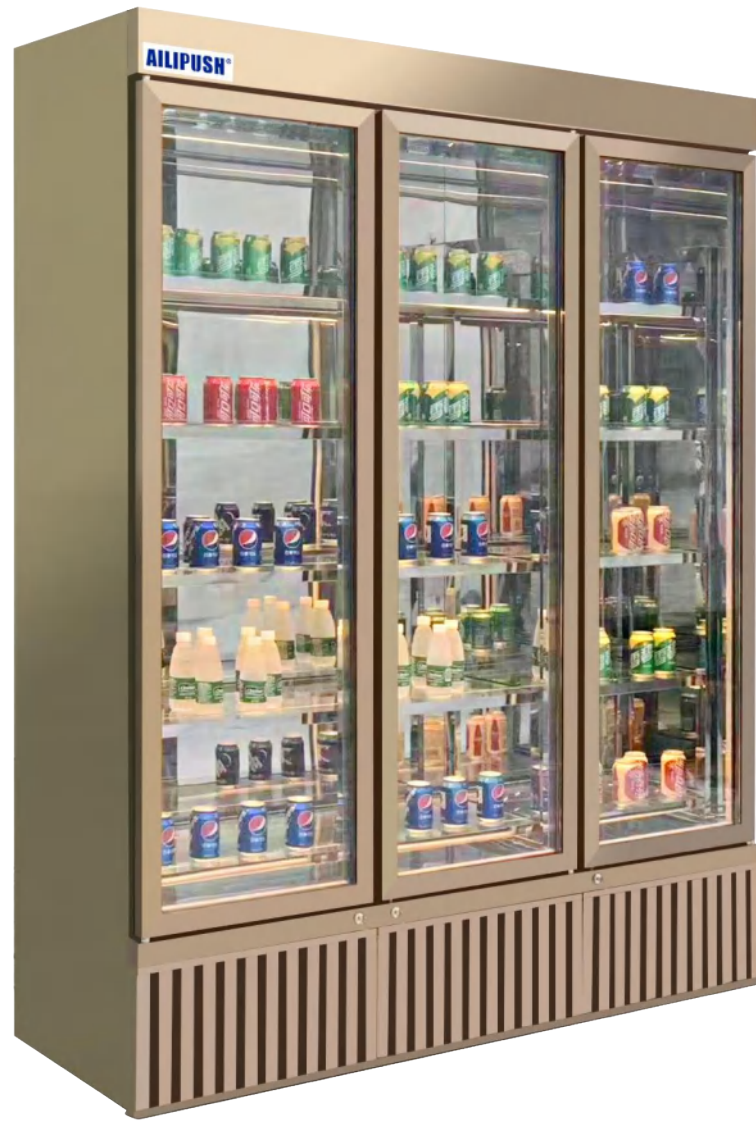
遥控式LED灯控制器可选
Remote system for LED light

遥控式亮度调节器可选
Remote system for light intensity

110V/60Hz



型号 Model	尺寸 Dimension	名称 Title	制冷 System	温度 Temp C	电压 Voltage	雪种 Ref.	容积 Volume
ALPS-WE1GD	600*600*2300	1 door wine cellar	Air-cooled	+12~+18°C	220V/50Hz	R134a	45Bottles
ALPS-WE2GD	1200*600*2300	2 door wine cellar	Air-cooled	+12~+18°C	220V/50Hz	R134a	117Bottles
ALPS-WE3GD	1800*600*2300	3 door wine cellar	Air-cooled	+12~+18°C	220V/50Hz	R134a	171Bottles



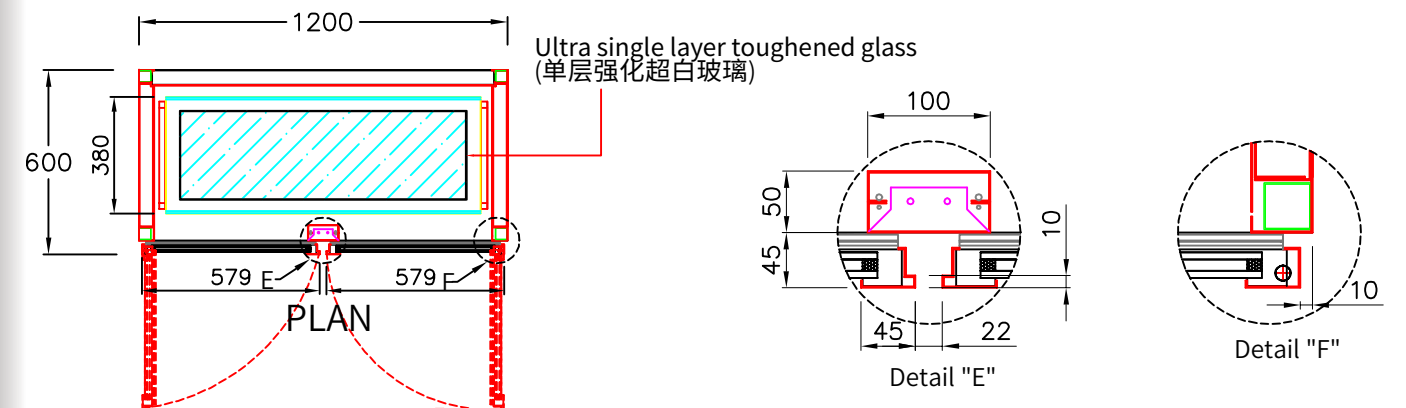
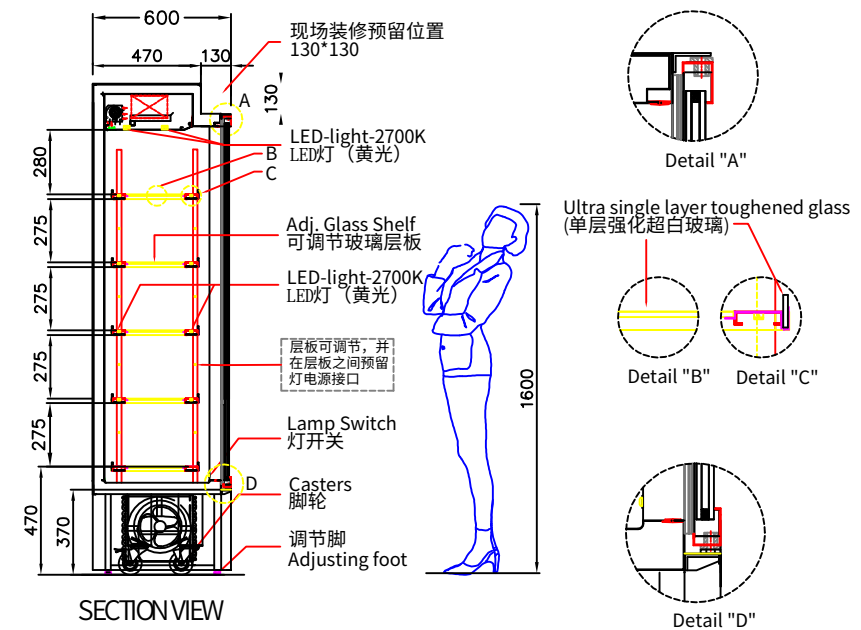
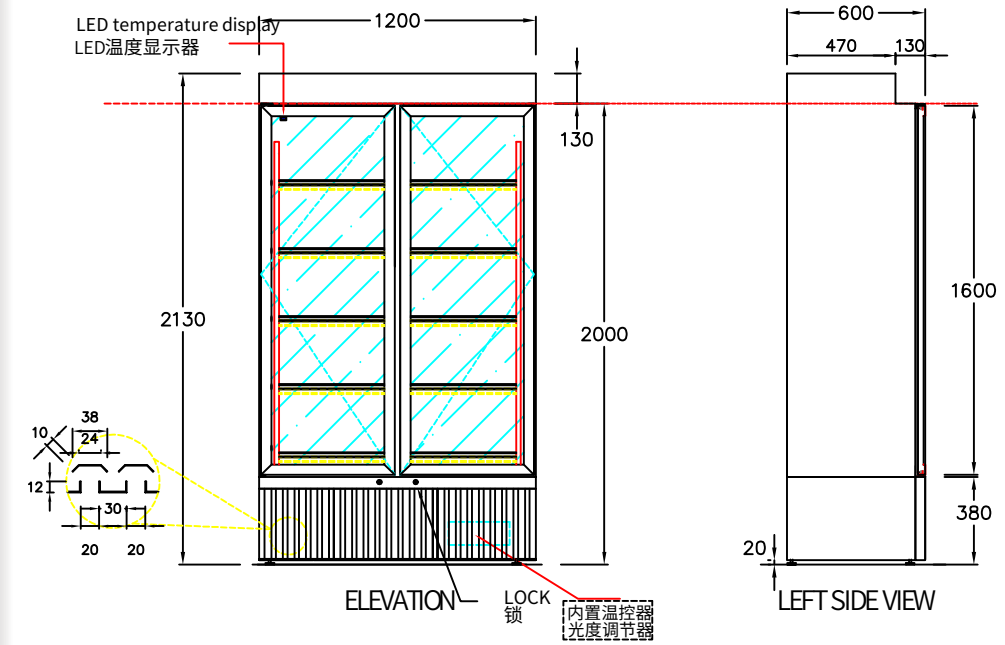
产品规格Product Specification

- ① 制冷方式:风冷
① Cooling system: air cooling
- ② 温度范围:+2~+8°C
② Temperature range: +2~+8°C
- ③ 压缩机功率:1/2HP(思科普)
③ Compressor power: 1/2HP (Secop)
- ④ 制冷剂:R134a
④ Refrigerant: R134a
- ⑤ 温控:数字温控
⑤ Temperature control: digital temperature control
- ⑥ 玻璃规格:双层中空钢化发热玻璃
⑥ Glass specifications: double-layer hollow tempered heating glass
- ⑦ 灯:LED-light-2700K(暖黄LED灯)
⑦ Light: LED-light-2700K (warm yellow LED light)
- ⑧ 亮度调节器
⑧ Brightness adjuster
- ⑨ 层架:镜钢架1x Custom Mirror
⑨ Shelf: mirror steel frame 1x Custom Mirror
- ⑩ 单层强化超白玻璃层板4x
⑩ Single-layer strengthened ultra-clear glass laminate 4x

材料Material

- ① 内部材料:镜钢
① Inner Material: Mirror S/S
- ② 底部材料:锌铁
② Bottom material: Zinc iron
- ③ 外部材料:镜钢
③ External material: Mirror S/S
- ④ 背部材料:锌铁
④ Back material: Zinc iron
- ⑤ 外型尺寸:(1200x600x2130(W*D*Hmm))
⑤ Dimensions: (1200x600x2130(W*D*Hmm))
- ⑥ 自动化水
⑥ Automatic evaporation

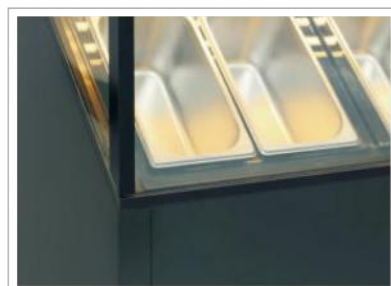
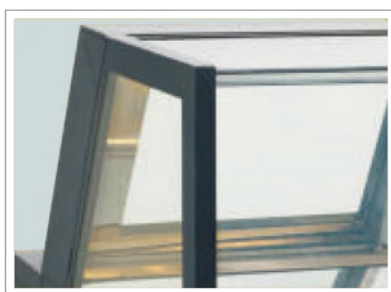
型号 Model	尺寸 Dimension	名称 Title	制冷 System	温度 Temp °C	电压 Voltage	雪种 Ref.	容积 Volume
ALPS-DC1GD	600*600*2130	Beverage Display	Air-cooled	2~8°C	220V/50Hz	R134a	500L
ALPS-DC2GD	1200*600*2130	Beverage Display	Air-cooled	2~8°C	220V/50Hz	R134a	1000L
ALPS-DC3GD	1800*600*2130	Beverage Display	Air-cooled	2~8°C	220V/50Hz	R134a	1600L



Beverage display drawings
饮料展示柜示意图

ICE CREAM

落地式单排冰淇淋展示柜 SINGLE ROW ICE CREAM SHOWCASE



Product advantages 产品优点

外观精美的双层超白钢化除雾玻璃
Beautifully -looking double-layer super-white tempereddefogging glass

暖白色LED灯带
Warm white LED strip lighting

顶前玻璃45°角接驳
45 degree angled edges for top and front glass

嵌入式配固定百叶
Built-in type with die-punched type louver

玻璃趟门配不锈钢门框
Glass sliding doors with stainless steel frame on the operator's side

操作简便的数字控制面板配搭故障提示系统
Digital controller for easy operation and fail-safe performance,featuring clear digital display

自动除霜
Automatic defrost

配置化水装置,无需连接排水管
Defrost water-Vaporiser, drain connection not required

220~240V/50~60Hz

Alternative configuration 备选配置

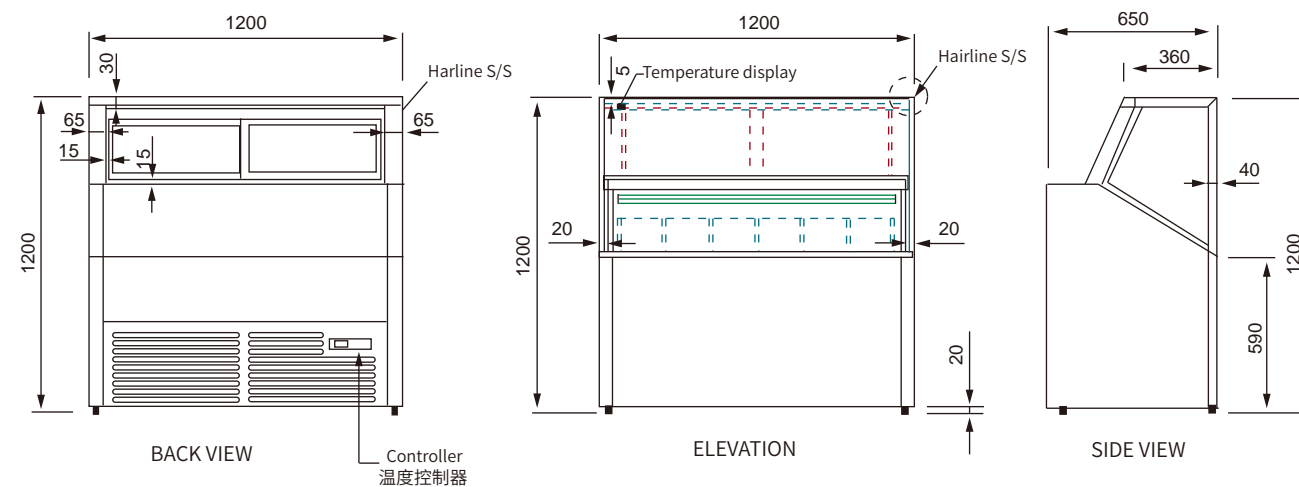
双层强化玻璃加发热膜
Double layer toughened glass with heated film

不同颜色和板材可选
Different colors and finishes"V-cut for all visible bends

所有可见边V-Cut
V-cut for all visible bends

趟门可做双层发热玻璃
Optional double layer glasses with heated film sliding door

110V/60Hz



型号 Model	尺寸 Dimension	名称 Title	制冷 System	温度 Temp °C	电压 Voltage	雪种 Ref.
ALPS-LK0.9GD	900*650*1200	0.9m Ice Cream Showcase	Air-cooled	-22°C-18°C	220V/50Hz	R404a
ALPS-LK1.2GD	1200*650*1200	1.2m Ice Cream Showcase	Air-cooled	-22°C-18°C	220V/50Hz	R404a
ALPS-LK1.5GD	1500*650*1200	1.5m Ice Cream Showcase	Air-cooled	-22°C-18°C	220V/50Hz	R404a
ALPS-LK1.8GD	1800*650*1200	1.8m Ice Cream Showcase	Air-cooled	-22°C-18°C	220V/50Hz	R404a

ICE CREAM

落地式双排冰淇淋展示柜 DOUBLE ROW ICE CREAM SHOWCASE



Product advantages 产品优点

暖白色LED灯带
Warm white LED strip lighting

顶前玻璃45°角接驳
45 degree angled edges for top and front glass

玻璃趟门配不锈钢门框
Glass sliding doors with stainless steel frame on the operator's side

操作简便的数字控制面板配搭故障提示系统
Digital controller for easy operation and fail-safe performance, featuring clear digital display

有效率的风冷循环系统
Efficient forced air cooling system

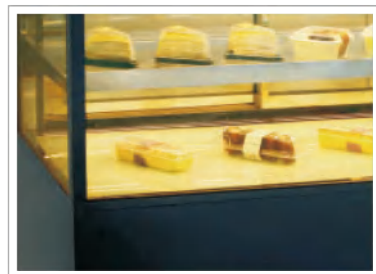
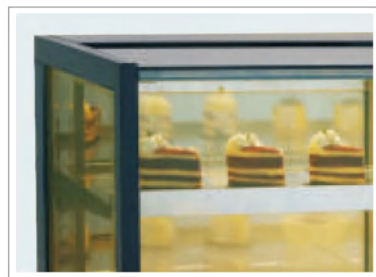
220~240V/50~60Hz

配置化水装置, 无需连接排水管
Defrost water-Vaporiser, drain connection not required

型号 Model	尺寸 Dimension	名称 Title	制冷 System	温度 Temp °C	电压 Voltage	份数 Subdivision
ALPS-LF16P	1677*1198*1362	Double Row Ice Cream Showcase	Air-cooled	-18°C~-23°C	220V/50Hz	意式1/3 份数盘16个
ALPS-LF24P	2172*1198*1362	Double Row Ice Cream Showcase	Air-cooled	-18°C~-23°C	220V/50Hz	意式1/3 份数盘24个

CAKE DISPLAY

蛋糕展示柜系列 CAKE DISPLAY SERIES



PRODUCT FEATURES

产品优点

极具现代感双层超白钢化除雾玻璃
Modern double-layer super-white tempered defogging glass

顶前玻璃45°角接驳
45 degree angled edges for top and front glass

暖白色LED灯带
Warm white LED strip lighting

玻璃趟门配不锈钢门框
Glass sliding doors with stainless steel frame on the operator's side

循环气流设计防止食物变干
Export design for air movement to prevent food drying

高密度发泡层
Precision injection, high density polyurethane insulation

操作简便的数字控制面板配搭故障提示系统
Digital controller for easy operation and fail-safe performance, featuring clear digital display

自动除霜
Automatic defrost

配置化水装置, 无需连接排水管
Defrost water-vaporiser, drain connection not required

有效率的风冷循环系统
Efficient forced air cooling system

220~240V/50~60Hz

ALTERNATIVE

备选配置

经典珠宝柜式设计
Classic jewelry design

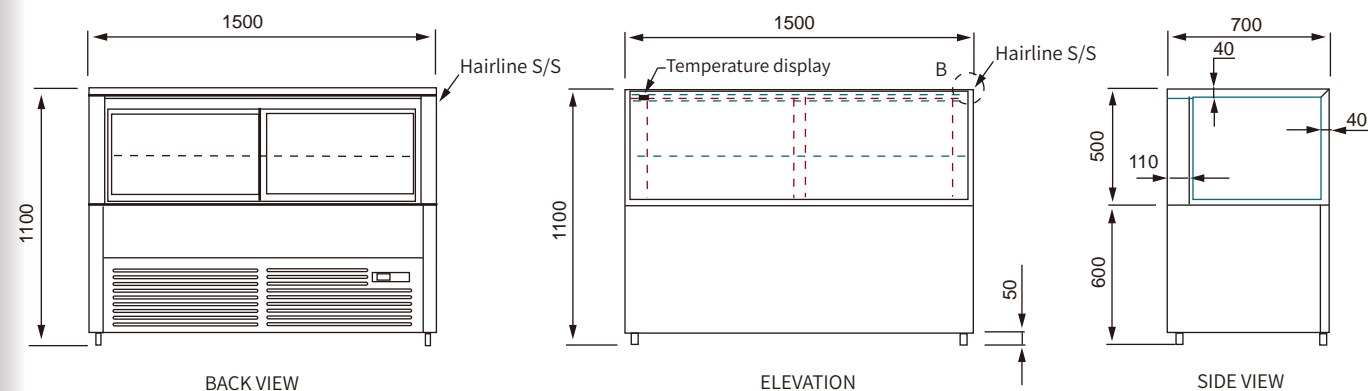
V-Cut可见边位
V-cut for all visible bends

V-Cut百叶
V-cut louvers

趟门可做双层发热玻璃
Optional double layer glasses with heated film sliding doors

不同颜色和板材可选
Different colors and finishes

110V/60Hz



型号 Model	尺寸 Dimension	名称 Title	制冷 System	温度 Temp C	电压 Voltage	雪种 Ref.
ALPS-CK0.9GD	900*700*1100	0.9m cake Showcase	Air-cooled	+2°C~+8°C	220V/50Hz	R134a
ALPS-CK1.2GD	1200*700*1100	1.2m cake Showcase	Air-cooled	+2°C~+8°C	220V/50Hz	R134a
ALPS-CK1.5GD	1500*700*1100	1.5m cake Showcase	Air-cooled	+2°C~+8°C	220V/50Hz	R134a
ALPS-CK1.8GD	1800*700*1100	1.8m cake Showcase	Air-cooled	+2°C~+8°C	220V/50Hz	R134a

SUSHI DISPLAY

寿司展示柜系列 SUSHI DISPLAY CABINET SERIES



PRODUCT FEATURES

产品优点

外观精美的玻璃展示柜
Contemporary rectangular shaped double layer ultra clear glass case with heating film showcase

玻璃趟门配不锈钢门框
Glass sliding doors with stainless steel frame on the operator's side

双层超白钢化除雾玻璃
Double layer super white toughened defogging glass

顶前玻璃45°角接驳
45 degree angled

暖白色LED灯带
Warm white LED strip lighting

所有可见边V-cut
All visible bends are V-cut

静置冷却保持食物的水分
Static cooling refrigeration system prevents drying out of the products

最长8m的分体机组连接
Remote refrigeration system with maximum 8 meters pipe length connection

需连接排水管
Drain connection is required

操作简便的数字控制面板配搭故障提示系统
Digital controller for easy operation and fail-safe performance, featuring clear digital display

220~240V/50~60Hz

ALTERNATIVE

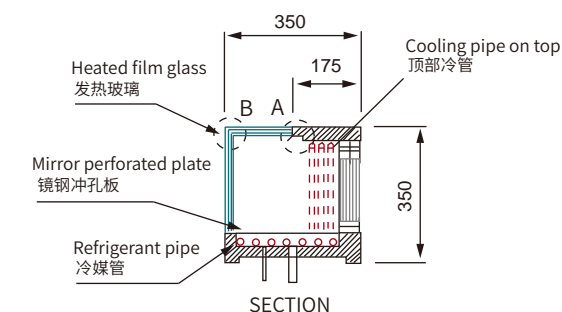
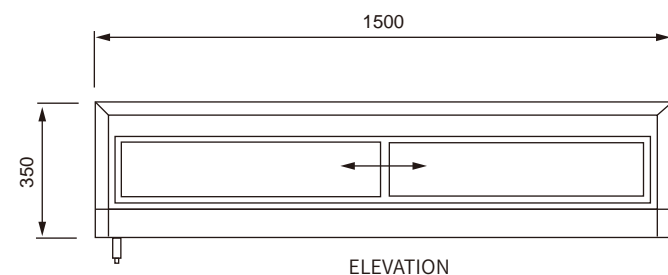
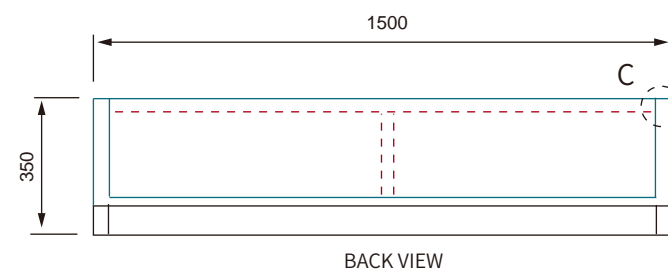
备选配置

双层一体玻璃可选
Double layer toughened glass

趟门可做双层发热玻璃
Optional double layer glasses with heated film sliding doors

不同颜色和板材可选
Different colors and finishes

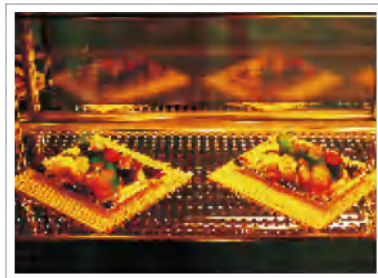
110V/60Hz



型号 Model	尺寸 Dimension	名称 Title	制冷 System	温度 Temp C	电压 Voltage	雪种 Ref.
ALPS-SC1.2GD	1200*350*350	1.2m Sushi Showcase	Air-cooled	+2°C~+8°C	220V/50Hz	R134a
ALPS-SC1.5GD	1500*350*350	1.5m Sushi Showcase	Air-cooled	+2°C~+8°C	220V/50Hz	R134a
ALPS-SC1.8GD	1800*350*350	1.8m Sushi Showcase	Air-cooled	+2°C~+8°C	220V/50Hz	R134a

AIR CURTAIN

风幕柜系列 AIR CURTAIN CABINET SERIES



PRODUCT FEATURES 产品优点

采用优质的不锈钢, 高品质保温材料, 符合国家节能环保要求
Adopt high quality stainless steel, high quality thermal insulation materials, in line with the National energy conservation and environmental protection requirements.

温度性能稳定, 每层温度均匀, 覆盖每一个角落制冷速度快
Temperature stability, each layer of temperature is uniform, covering every corner, cooling speed

选用原装进口压缩机, 故障率低
Selection of original imported compressors with low failure rate

采用防凝露设计
Use of agglutinant design

能让食物保持新鲜状态, 延长新鲜寿命达到均衡完美的保鲜效果
Can keep food fresh state to extend fresh life, achieve a balanced and perfect preservation effect

广泛用在超市、蛋糕店、奶茶店、五星级酒店自助餐厅
Widely used in supermarkets, cake shops, milk tea shops, five-star hotel cafeterias

220~240V/50~60Hz

ALTERNATIVE 备选配置

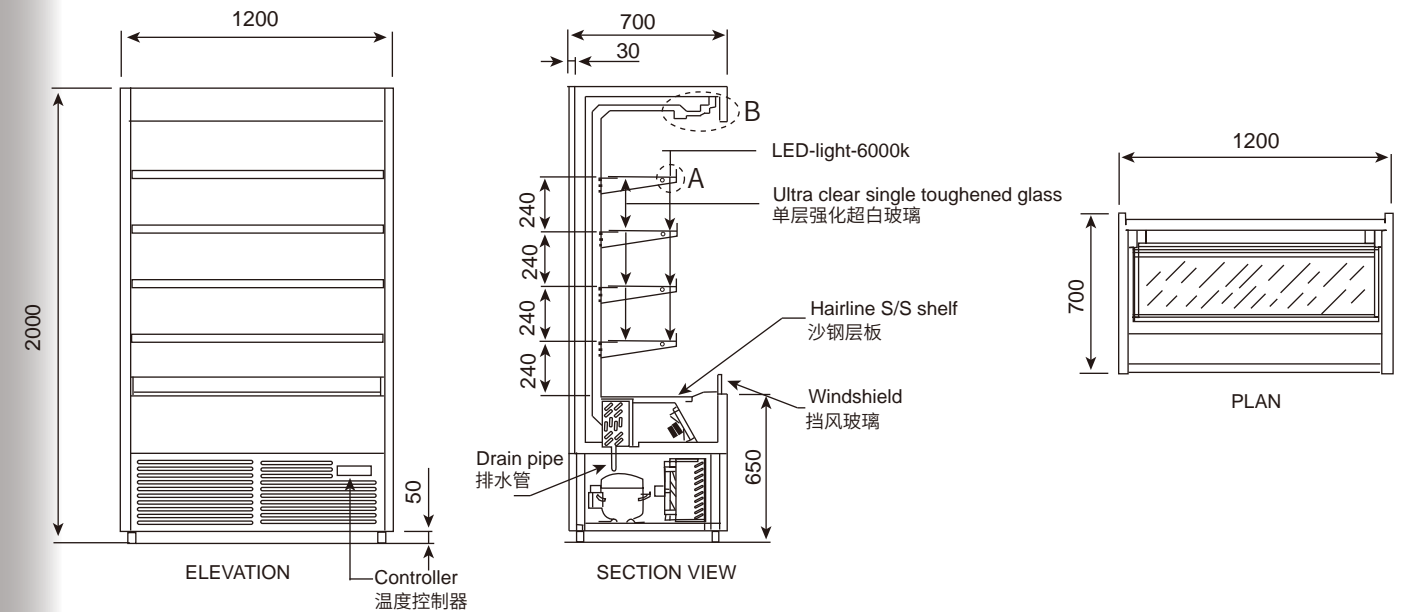
层架倾斜角度可选
Layers tilt angle optional

趟门或幕帘可选
Door or curtain available

侧面玻璃或发泡箱体可选
Side glass or foaming box body optional

材质及材料颜色可以选
Material and Material Colors Available

110V/60Hz



型号 Model	尺寸 Dimension	名称 Title	制冷 System	温度 Temp C	电压 Voltage	雪种 Ref.
ALPS-FM0.9GD	900*700*2000	0.9m Air Curtain Showcase	Air-cooled	+2°C~+8°C	220V/50Hz	R134a
ALPS-FM1.2GD	1200*700*2000	1.2m Air Curtain Showcase	Air-cooled	+2°C~+8°C	220V/50Hz	R134a
ALPS-FM1.5GD	1500*700*2000	1.5m Air Curtain Showcase	Air-cooled	+2°C~+8°C	220V/50Hz	R134a

RIPENING

牛肉熟成

AGED BEEF

干式熟成牛肉 成熟西餐厅之选
Dry-aged beef, the choice of mature western restaurants

01 肉质细腻 Delicate meat

熟成过程中，蛋白酶慢慢分解牛肉中的纤维，肉质逐渐软化，提升牛肉的嫩度。During the aging process, protease slowly decomposes the fiber in the beef, the meat gradually softens, and the tenderness of the beef is improved.

02 口感多汁 Juicy

熟成牛肉汁油花集中，所以使得牛肉甜而多汁，入口即化。The mature beef juice is concentrated, so the beef is sweet and juicy, and it melts in the mouth.

03 风味醇厚 Full-bodied flavor

干式熟成的牛肉带有蘑菇的鲜香，牛奶的香甜，以及芝士的浓郁香气。The dry-aged beef has the fresh aroma of mushrooms, the sweetness of milk, and the rich aroma of cheese.

04 烹饪酥脆 Crispy

杠式熟成牛肉更容易上色，并产生酥脆外皮，达到外脆内嫩的口感。Bar-aged beef is easier to color, and produces a crispy outer skin, achieving a crispy outside and tender inside.



RIPENING

牛肉熟成技术

BEEF AGING TECHNOLOGY

风味更加 口感更好的牛肉
Beef with more flavor and better texture

精准、稳定控温系统 Accurate and stable temperature control system

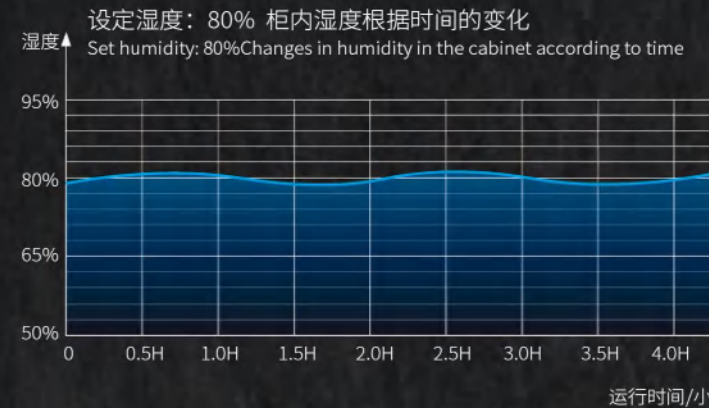
牛肉熟成需要在恒定的温度(-1.5°-4°都是合适的温度)，湿度(60%-85%)及通风条件下，随着时间慢慢提升牛肉的品质。牛肉熟成柜恒定的电子温控-5~10°C可调温控范围，并可保持在某个温度1°C误差内。

Beef maturation needs to be under constant temperature (-1.5°C-4°C is a suitable temperature), humidity (60%-85%) and ventilation conditions, and slowly improve the quality of beef over time. The constant electronic temperature control of the beef aging cabinet is -5~10°C adjustable temperature control range, and can be kept at a certain temperature within 1°C error.



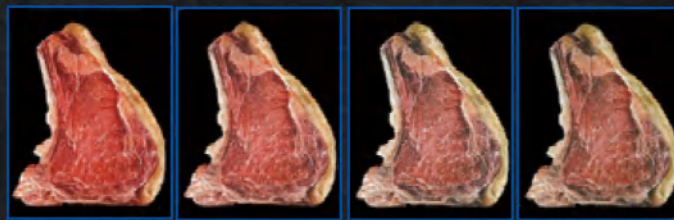
独立的湿度控制 Independent Humidity Control

恒定的内部湿度，湿度在60%-85%之间，前端有水位观测端，对要不要加水一目了然
Constant internal humidity, the humidity is between 60% and 85%, and there is a water level observation terminal at the front, so it is clear at a glance whether to add water

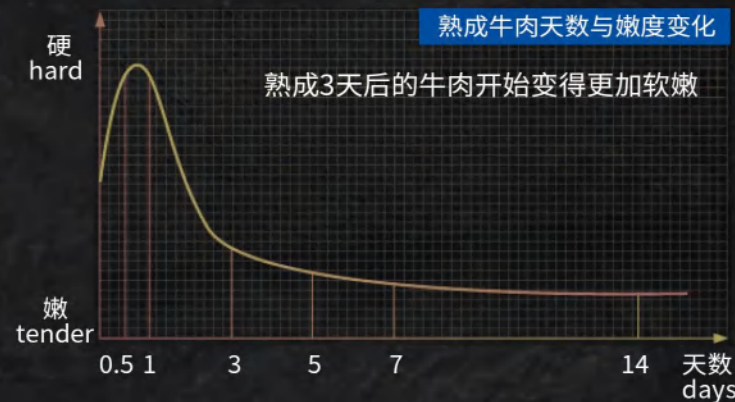


牛肉熟成柜 承载好牛肉熟成之旅 BEEF AGING CABINET HOST A GOOD BEEF AGING JOURNEY

熟成牛肉表层肉色逐渐变暗淡 The color of the surface layer of mature beef gradually becomes dull



熟成7天 matured for 7 days 熟成14天 matured for 14 days 熟成21天 matured for 21 days 熟成30天 matured for 30 days



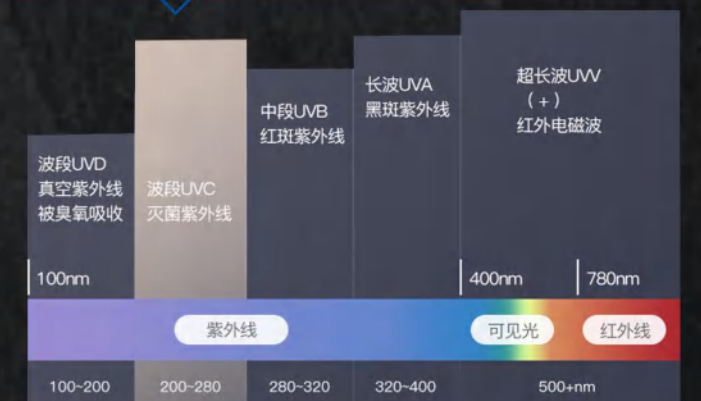
短波UVC强效杀菌 Short-wave UVC powerful sterilization

专业的UVC杀菌作用，具有全自动工作的状态，每天自动启动杀菌一小时，当柜门打开时候会关闭该功能，避免人体皮肤受到辐射，保护人身的安全，柜门关闭时候又会自动启动杀菌功能，不需要人为操作。

Professional UVC sterilizing effect, with fully automatic working state, automatically start the sterilization for one hour every day, when the cabinet door is opened, this function will be turned off, to avoid human skin from radiation, protect personal safety, and automatically start the sterilization when the cabinet door is closed without manual operation.



光谱波长254nm的紫外线，属于短波UVC灭菌紫外线，很容易被生物体的DNA吸收，是消毒杀菌的好选择。
Ultraviolet rays with a spectral wavelength of 254nm belong to short-wave UVC sterilizing ultraviolet rays, which are easily absorbed by the DNA of organisms and are a good choice for disinfection and sterilization.



牛肉展示柜

BEEF DISPLAY CABINET SERIES



可选定制内容 Optional custom content

可以根据不同个性需求，
选择不同样式酒柜风格
According to different individual
needs, choose from different styles
of wine cabinets

此款可定制： This style can be customized:

恒温酒柜、果蔬柜、烧腊风干柜、
解冻柜、冻品冷冻展示柜等
Constant temperature wine cabinet,
fruit and vegetable cabinet, roast meat
air drying cabinet, Thawing cabinets,
frozen product display cabinets, etc.

型号 Model	尺寸 Dimension	名称 Name	温度范围 Temperature	容积 volume	功率 power	制冷剂 Ref.	制冷 System
ALPS07C1	700*760*2100	Beef Display Cabinet Series	-2°C~-5°C	5层	1050	R404a	Air-cooled
ALPS07D1	700*760*2100	Beef Display Cabinet Series	-12°C~-18°C	5层	1200	R404a	Air-cooled
ALPS12C2	1200*760*2100	Beef Display Cabinet Series	-2°C~-5°C	5层	1680	R404a	Air-cooled
ALPS12D2	1200*760*2100	Beef Display Cabinet Series	-12°C~-18°C	5层	1800	R404a	Air-cooled
ALPS15C2	1500*760*2100	Beef Display Cabinet Series	-2°C~-5°C	5层	2080	R404a	Air-cooled
ALPS15D2	1500*760*2100	Beef Display Cabinet Series	-12°C~-18°C	5层	2205	R404a	Air-cooled
ALPS18C3	1800*760*2100	Beef Display Cabinet Series	-2°C~-5°C	5层	2270	R404a	Air-cooled
ALPS18D3	1800*760*2100	Beef Display Cabinet Series	-12°C~-18°C	5层	2395	R404a	Air-cooled

牛肉熟成柜

BEEF AGING CABINET SERIES



工作环境设计Work environment

工作环境设计Work environment

- ①温度32°C湿度65%
① Temperature 32°C Humidity 65%
- ②底置式制冷系统设计, 安装维修极其方便
② Bottom-mounted refrigeration system design, extremely convenient for installation and maintenance
- ③60mm厚度的高密度环保隔热层, 节能省电
③60mm thick high-density environmental protection heat insulation layer, saving energy and electricity
- ④环保无氟制冷剂R134a
④ Environmentally friendly fluorine-free refrigerant R134a
- ⑤内外箱体可选镜面/黑钛/不锈钢板材
⑤ Mirror surface/black titanium/stainless steel plate can be selected for inner and outer cabinets
- ⑥高效节能进口压缩机
⑥ High-efficiency and energy-saving imported compressor
- ⑦智能数字控温器, 带湿度显示
⑦ Intelligent digital temperature controller with humidity display
- ⑧4D均冷技术, 后背式出风中空电加热除雾玻璃门
⑧ 4D uniform cooling technology, back-type air-out hollow electric heating defogging glass door
- ⑨智能除霜系统
⑨ Intelligent defrosting system
- ⑩上下可调搁物架设计自动排水和蒸发系统
⑩ Up and down adjustable shelf design, automatic drainage and evaporation system
- ⑪内箱圆角和下沉式底板设计, 易于清洁
⑪ Inner box rounded corners and sunken floor design, easy to clean
- ⑫自动回归门体设计
⑫ Automatic return door body design

- ①温度32°C, 湿度65%
① Temperature 32°C, humidity 65%

- ②欧洲整体式制冷系统设计, 安装维修方便
② European integrated refrigeration system design, easy installation and maintenance

- ③60mm厚度的高密度环保隔热层, 节能省电
③60mm thick high-density environmental protection heat insulation layer, saving energy and electricity

- ④环保无氟制冷剂 R134a
④ Environmentally friendly fluorine-free refrigerant R134a

- ⑤内外箱体201#联众不锈钢板材
⑤ 201 stainless steel plate inside and outside the box

- ⑥上下可调搁物架设计
⑥ Up and down adjustable shelf design

- ⑦智能除霜自动蒸发化霜水系统
⑦ Intelligent defrosting automatic evaporation system

- ⑧自动回归玻璃门, 豪华2层中空玻璃门
⑧ Automatic return glass door, luxury 2-layer hollow glass door

- ⑨可拆换和易清洁的密封条
⑨ Removable and easy-to-clean sealing strip

- ⑩高效节能压缩机, 智能数字温度控制
器和高速低噪风机
⑩ High-efficiency energy-saving compressor, intelligent digital temperature control and high-speed low-noise fans

型号 Model	尺寸 Dimension	温度范围 Temperature	制冷 System	容积 volume	功率 power	制冷剂 Ref.	装柜数量 Qty/20GP	装柜数量 Qty/40HQ
ALPS-S100	700*730*50*1650	1°C~4°C	Air-cooled	400	160	R134a	21	42



工作环境设计Work environment

- ①温度32°C 湿度65%
- ①Temperature 32°C Humidity 65%
- ②欧洲整体式制冷系统设计, 安装维修方便
- ② European integrated refrigeration system design, easy installation and maintenance
- ③60mm 厚度的高密度环保隔热层, 节能省电
- ③60mm thick high-density environmental protection heat insulation layer, saving energy and electricity
- ④环保无氟制冷剂 R134a
- ④Environmentally friendly fluorine-free refrigerant R134a
- ⑤内外箱体 201# 联众不锈钢板材
- ⑤ Inner and outer box 201# stainless steel plate
- ⑥上下可调搁物架设计
- ⑥Up and down adjustable shelf design
- ⑦高效节能压缩机, 智能数字温度控制器和高速低噪风机
- ⑦ High-efficiency energy-saving compressor, intelligent digital temperature controller and high-speed low-noise fan
- ⑧智能除霜自动蒸发化霜水系统
- ⑧Intelligent defrosting automatic evaporation system
- ⑨可随时开关的箱内 LED 照明和灯箱
- ⑨ LED lighting and light box that can be switched on and off at any time
- ⑩自动回归玻璃门, 豪华 2层中空玻璃门
- ⑩Automatic return glass door, luxury 2-layer hollow glass door
- ⑪可拆换和易清洁的密封条
- ⑪Removable and easy-to-clean sealing strip

型号 Model	尺寸 Dimension	温度范围 Temperature	制冷 System	容积 volume	功率 power	气候类型 Climate type	制冷剂 Ref.
ALPS-700	700*800*2080	+5°C~+10°C	Air-cooled	550L	682	N	R290(R134a/R404aoptional)
ALPS-1200	1200*800*2080	+5°C~+10°C	Air-cooled	1050L	860	N	R290(R134a/R404aoptional)
ALPS-1800	1800*800*2080	+5°C~+10°C	Air-cooled	1600	1255	N	R290(R134a/R404aoptional)



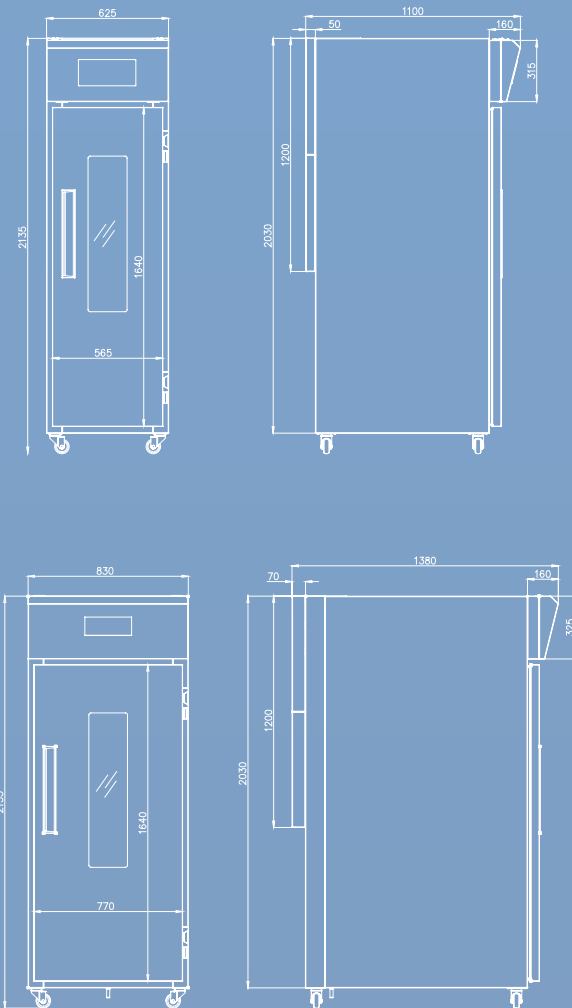
工作环境设计Work environment

- ①温度32°C湿度65%
- ①Temperature 32°C Humidity 65%
- ②欧洲整体式制冷系统设计, 安装维修方便
- ② European integrated refrigeration system design, easy installation and maintenance
- ③60mm厚度的高密度环保隔热层, 节能省电
- ③60mm thick high-density environmental protection heat insulation layer, saving energy and electricity
- ④环保无氟制冷剂R134a
- ④Environmentally friendly fluorine-free refrigerant R134a
- ⑤内外箱体201#联众不锈钢板材
- ⑤ 201# stainless steel plate inside and outside the box
- ⑥上下可调搁物架设计
- ⑥Up and down adjustable shelf design
- ⑦智能除霜自动蒸发化霜水系统
- ⑦Intelligent defrosting automatic evaporation system
- ⑧可随时开关的箱内LED照明和灯箱
- ⑧ LED lighting and light boxes that can be switched on and off at any time
- ⑨自动回归玻璃门, 豪华2层中空玻璃门
- ⑨ Automatic return glass door, luxury 2-layer hollow glass door
- ⑩可拆换和易清洁的密封条
- ⑩Removable and easy-to-clean sealing strip
- ⑪高效节能压缩机, 智能数字温度控制器和高速低噪风机
- ⑪High-efficiency energy-saving compressor, intelligent digital temperature controller and high-speed low-noise fan

型号 Model	尺寸 Dimension	温度范围 Temperature	制冷 System	容积 volume	功率 power	气候类型 Climate type	门数 Number of disks	挂杆数 Number of hanging rods	制冷剂 Ref.
ALPS-LP680	700*800*2300	+2~+8	Air-cooled	700	400	N(32)	1	6	R134a
ALPS-LP1400	1400*800*2300	+2~+8	Air-cooled	1200	980	N(32)	2	6	R134a
ALPS-LP2100	2100*800*2300	+2~+8	Air-cooled	1200	980	N(32)	3	6	R134a

定制 | 醒发箱

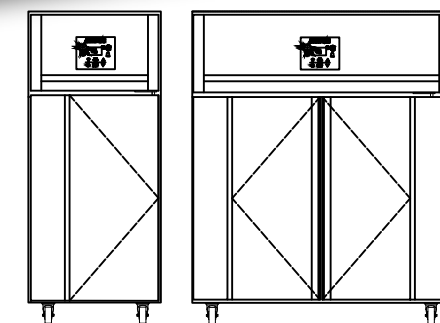
PROOF BOX



型号 Model	分类 Classification	规格 (mm) Dimensions	功率 (W) Power	容积 (L) Net capacity	重量 (KG) Weight	制冷剂 Ref.	温度范围 (°C) Temperature
ALPS-PRC18	refrigerated proofer	625*1100*2135	950	640	165	R404a	-3°C~+40°C
ALPS-PRC36	refrigerated proofer	830*1380*2135	1350	1100	198	R404a	-3°C~+40°C
ALPS-PRD18	Freezing proofer	625*1100*2135	950	640	167	R404a	-18°C~+40°C
ALPS-PRD36	Freezing proofer	830*1380*2135	1350	1100	202	R404a	-18°C~+40°C
ALPS-PRC16X2	Dual temperature refrigerated proofer	830*1380*2135	1900	1050	225	R404a	-3°C~+40°C

定制 | 解冻柜

THAWING CABINET



型号 Model	分类 Classification	规格 (mm) Dimensions	功率 (W) Power	容积 (L) Net capacity	温度范围 (°C) Temperature
ALPS-TC1	Thawing Cabinet	835*760*1965	1000W	372	0~+3°C
ALPS-TC1	Thawing Cabinet	1625*760*1965	1900W	744	0~+3°C

工作环境设计 Work environment

- ① 强劲热风及冷风交替循环, 解冻后保持温度0°C到+3°C
① Alternate circulation of strong hot air and cold air, After thawing, keep the temperature from 0°C to +3°C
- ② 解冻过程中食物不会超过+3°C, 保证食品安全
② The food will not exceed +3°C during the thawing process to ensure food safety
- ③ 微电脑智能温控系统, 精确控温确保解冻过程中食材质量安全
③ Microcomputer intelligent temperature control system, precise temperature control to ensure the quality and safety of ingredients during thawing
- ④ 环保型无氟制冷剂(R134a), 高密度隔温发泡层
④ Environmentally friendly fluorine-free refrigerant (R134a), high-density thermal insulation foam layer
- ⑤ 一体拉伸底盘, 圆边圆角, 易清洁, 符合国际卫生标准
⑤ One-piece stretch chassis, rounded edges and corners, easy to clean, in line with international hygiene standards
- ⑥ 可拆卸门封, 易清洁保养
⑥ Removable door seal, easy to clean and maintain
- ⑦ 蒸发器表面电镀耐腐蚀涂层, 耐腐蚀性强, 经久耐用
⑦ The surface of the evaporator is electroplated with a corrosion-resistant coating, which is highly corrosion-resistant and durable
- ⑧ 自动化霜
⑧ Automatic frosting system
- ⑨ 自动化水, 无需外接排水
⑨ Automatic evaporation system, no need for external drainage
- ⑩ 符合HACCP食品安全管理体系
⑩ Comply with HACCP food safety management system

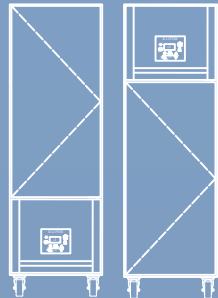
定制 | 储鱼柜

FISH STORAGE CABINET



工作环境设计Work environment

- ①内外304不锈钢,底背环保镀锌板
① 304 stainless steel inside and outside, environmentally friendly galvanized plate on the bottom and back
- ②可拆卸门封,易清洁保养
② Removable door seal, easy to clean and maintain
- ③开门小于90°可自动回位
③ The door can be automatically returned when the door is opened less than 90°
- ④门框隐藏发热线,防凝露
④ The door frame hides the heating wire and prevents condensation
- ⑤内部放置7个390x580x135mm盆
⑤ Place 7 pots of 390x580x135mm inside
- ⑥进口压缩机
⑥ Secop compressor from Germany
- ⑦可拆卸门封,易清洁保养
⑦ Removable door seal, easy to clean and maintain
- ⑧柜体底部排水管道,清洁效率最大化
⑧ Drainage pipes at the bottom of the cabinet to maximize cleaning efficiency
- ⑨环保无氯制冷剂
⑨ Environmentally friendly chlorine-free refrigerant
- ⑩制冷机组可上置可下置
⑩ Refrigeration unit can be set up or down
- ⑪符合HACCP食品安全管理体系
⑪ Comply with HACCP food safety management system



型号 Model	尺寸 Dimension	温度范围 Temperature	制冷 System	容积 volume	功率 power	气候类型 Climate type	制冷剂 Ref.
ALPS-XCT1500T	1500*900*1690	-5~+15	Air-cooled	720	850	N(32)	R134a
ALPS-XCT1800T	1800*900*1690	-5~+15	Air-cooled	1020	960	N(32)	R134a
ALPS-XCT2000T	2000*900*1690	-5~+15	Air-cooled	1220	1050	N(32)	R134a

定制 | 冰台

ICE PLATFORM



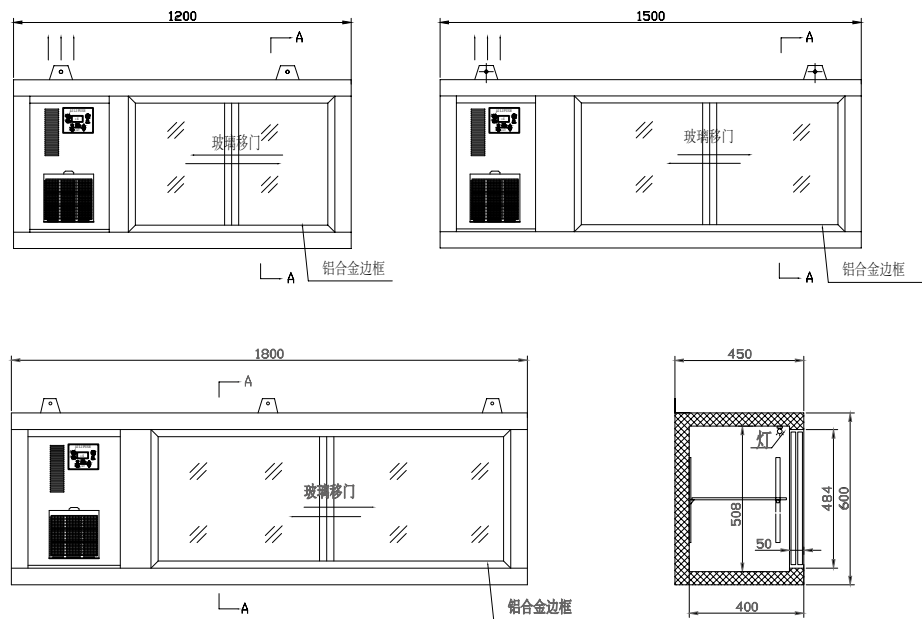
工作环境设计Work environment

- ①温度 32°C,湿度65%
① Temperature 32°C, humidity 65%
- ②高密度环保隔热层,节能省电
② High-density environmental protection heat insulation layer, energy-saving and power-saving
- ③环保无氟制冷剂 R404a
③ Environmentally friendly fluorine-free refrigerant R404a
- ④内外箱体使用高档 304 不锈钢板材
④ The inner and outer boxes are made of high-grade 304 stainless steel plate
- ⑤高效节能压缩机,智能数字温度控制器
⑤ High-efficiency energy-saving compressor, intelligent digital temperature controller
- ⑥全铜管冷凝、蒸发盘管设计
⑥ All copper tube condensation and evaporation coil design
- ⑦8mm 钢化玻璃围栏,防护展示一体
⑦ 8mm tempered glass fence, integrated protection and display
- ⑧高度可调的高档不锈钢子弹脚
⑧ Height-adjustable high-grade stainless steel bullet feet

型号 Model	尺寸 Dimension	温度范围 Temperature	制冷 System	容积 volume	功率 power	气候类型 Climate type	制冷剂 Cryogen
ALPS-IBT15	1500*800*800	0~+10	Static cooling	/	650	N(32)	R404a
ALPS-IBT18	1800*800*800	0~+10	Static cooling	/	750	N(32)	R404a
ALPS-IBT20	2000*800*800	0~+10	Static cooling	/	850	N(32)	R404a

定制 | 挂墙柜

WALL MOUNTED CABINET



型号 Model	尺寸 Dimension	名称 Name	温度范围 Temperature	制冷 System	容积 volume	功率 power	层架数 Number of shelves	制冷剂 Ref.
ALPS-12L2	1200*450*600	wall mounted cabinet	2~8°C	Static cooling	210	280	2	R290/R134a
ALPS-15L2	1500*450*600	wall mounted cabinet	2~8°C	Static cooling	260	300	2	R290/R134a
ALPS-18L2	1800*450*600	wall mounted cabinet	2~8°C	Static cooling	310	380	2	R290/R134a
ALPS-12L2W	1200*450*600	wall mounted cabinet	2~8°C	Air-cooled	200	300	2	R290/R134a
ALPS-15L2W	1500*450*600	wall mounted cabinet	2~8°C	Air-cooled	250	340	2	R290/R134a
ALPS-18L2W	1800*450*600	wall mounted cabinet	2~8°C	Air-cooled	300	420	2	R290/R134a

定制 | 嵌入式冷藏井

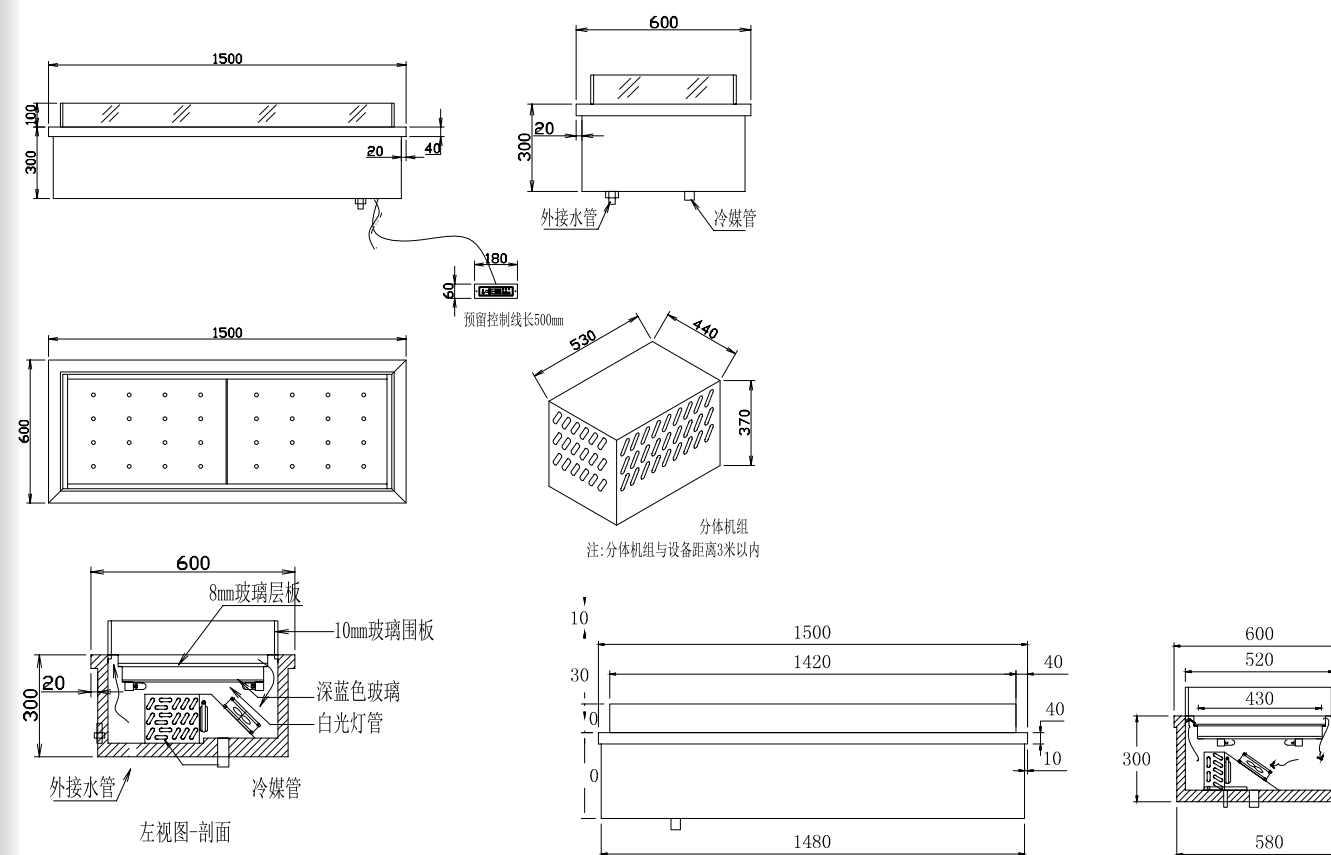
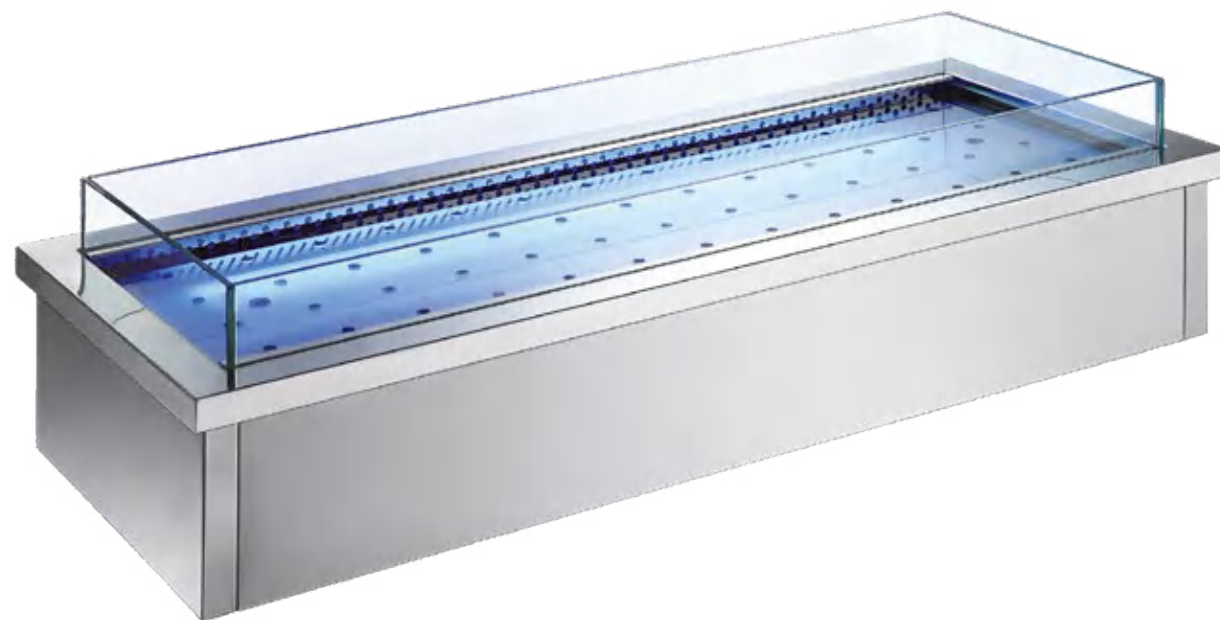
EMBEDDED REFRIGERATED WELL

2°C~8°C

适合自助餐
Suit for buffet

配置 LED 照明灯, 灯光颜色可选
用于各类生鲜食品展示
根据客户尺寸订做

Equipped with LED lighting, light color is optional
Used for displaying all kinds of fresh food
It is customized according to customer size



星级酒店

Star Hotels



品牌连锁

Brand Chain



工程部分案例

Engineering Cases



洲际酒店



花园酒店



曙光酒店



宝盛酒店



柏景酒店



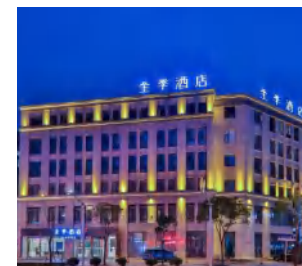
香格里拉酒店



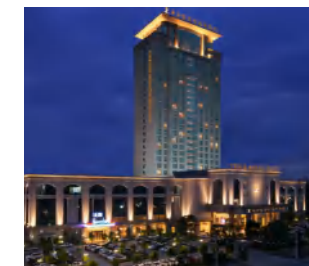
喜来登酒店



希尔顿酒店



全季酒店



维也纳酒店



中海凯骊酒店



万豪酒店

企事业单位

Enterprises and Institutions

广州白云机场 中石化集团 深圳大学 江门阳江一中 中山大学 华南理工大学 长沙理工大学
山东能源 网易 南方电网 中国国网 广东工业大学 广东外语外贸大学 佛山科学技术学院