

LVNi绿零®

fan-cooling refrigerator pick lvni



Shopping mall supermarket freezer fridge

LVNI绿零®/Company Profile

LVNI is located in the political and cultural center of Guangdong Province, Guangzhou, the central city of South China. Since its establishment in 2011, LVNI has been focusing on commercial air-cooled refrigerators. It is a professional manufacturer of refrigeration equipment integrating R&D, design, production, sales and Internet technology.

Since its establishment 11 years ago, the company has successively won the titles of "AAA Credit Enterprise in Guangdong Province", "Famous Brand in Guangdong Province", "Contract-honoring and Credit-Reliable Enterprise in Guangdong Province", "The Most Popular Brand of Refrigeration Equipment in China's Hotel Supplies Industry in 2014", etc. The LVNI production base "Guangzhou AILIPUSH Refrigeration Equipment Co., Ltd." has won the "National High-tech Enterprise" and "National Industrial Product Production License" successively in 2016.

It has successively established Guangzhou AILIPUSH Refrigeration Equipment Co., Ltd. (in April 2013, the refrigerator intelligent manufacturing factory was established), Shanghai LVNI Refrigeration Technology Co., Ltd. (in January 2016, the Shanghai branch was established), and Beijing LVNI Intelligent Equipment Co., Ltd. (in March 2016. Established Beijing Branch), Chengdu Branch (July 2017), Hunan Branch (December 2018), Hunan LVNI Intelligent Technology Co., Ltd. (Hunan Zhizao Factory was established in September 2019, covering an area of 50 acres), Shenzhen Branch (April 2021).

In terms of product research and development, the core parts of the products have independent intellectual property rights, and have obtained a number of independent research and development patents and more than 10 domestic and foreign certifications, including 3C, CE, ROHS, MSDS, SASO and other certifications. In terms of quality inspection and control, there is an independent testing center with complete types of testing equipment, standardized management and strict requirements. Products and components are designed and tested with reference to international standards to ensure product safety and stability.

The company holds three major brands: "LVNI", "AILIPUSH", and "Sai Lingsi". It has trade relations with more than 40 countries and regions around the world, the total export volume is increasing, and it cooperates with domestic and foreign high-quality brand customers.

In order to meet the needs of different types of customers, the company continues to innovate. Since 2015, it has successively launched solutions in the fields of "co-creation and win-win", "smart refrigerators", "Internet of Things refrigerators", "personalized customized refrigerators" and "frequency conversion refrigerators". We will continue to innovate around customer needs and technological leadership, maintain open cooperation with various industry partners, and continue to create value for customers.

LVNI is committed to providing people with green energy-saving products and intelligent sharing services for the majority of users.

CONTENT

◆ W SERIES BEVERAGE SHOWCASE	01
W series all-in-one beverage showcase Top-mounted unit	02
◆ S SERIES BEVERAGE SHOWCASE	03
S series all-in-one beverage showcase Top-mounted unit	05
S Series all-in-one beverage showcase Bottom-mounted unit	06
S series split unit beverage showcase Split-type unit	07
◆ S SERIES INTELLIGENT FRESH FOOD VENDING MACHINE	08
S series all-in-one intelligent fresh food vending machine	10
◆ S SERIES AIR CURTAIN CABINET	11
S series all-in-one air curtain cabinet	12
S series split air curtain cabinet	13
◆ S-SERIES FRESH MEAT CABINETS AND DELI CABINETS	14
S series all-in-one open fresh meat cabinet	15
S series split machine open fresh meat cabinet	16
S Series all-in-one front door deli cabinet	17
S Series All-in-One Fixed Glass Deli Cabinet	18
◆ S SERIES FROST-FREE COMBINATION ISLAND FREEZER	19
S series all-in-one direct cooling frost-free combination island freezer	20

W SERIES BEVERAGE SHOWCASE



R290 refrigerant, environmental protection and health, energy saving and electricity saving

W SERIES ALL-IN-ONE BEVERAGE SHOWCASE TOP-MOUNTED UNIT



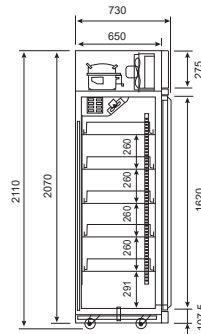
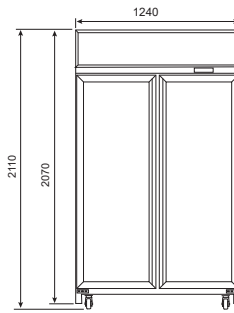
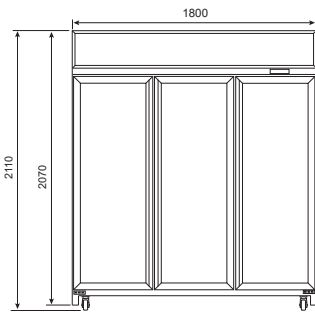
LNW-61



LNW-124



LNW-180



Model	Dimension(mm)	Temperature(℃)	Cooling Type	Voltage	Doors	Refrigerants
LNW-61	610x646x2030	0~10	Fan-cooling	220~240V/50Hz	1	R290
LNW-124	1240x730x2110	0~10	Fan-cooling	220~240V/50Hz	2	R290
LNW-180	1800x730x2110	0~10	Fan-cooling	220~240V/50Hz	3	R290

Can do 220V~240V/60Hz or 110V/60Hz

S Series Beverage Showcase



BETTER LIFE
TOGETHER

冻水饺

LVNI 绿零

GREEN LIFE BE WITH YOU
健康生活 高颜值



S Series Beverage Showcase



Smart Thermostat



Aluminum alloy door handle



Magnetic pull bar



360° circulating air cooling



Divider shelf



Imported compressor

Features

- ①、Intelligent digital temperature control, accurate to 0.1°C;
- ②、Frosted aluminum alloy door frame, strong corrosion resistance;
- ③、Magnetic pull bar, cover the casters, beautiful and integrated;
- ④、Air circulation cooling, no need to defrost, even cold air;
- ⑤、Separate shelves, easy to place and store drinks, neat and beautiful;
- ⑥、Imported compressor, high efficiency, low failure rate, fast cooling.

S SERIES ALL-IN-ONE BEVERAGE SHOWCASE TOP-MOUNTED UNIT

Silver
 Gold
 Black



LN-61



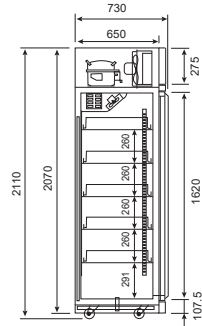
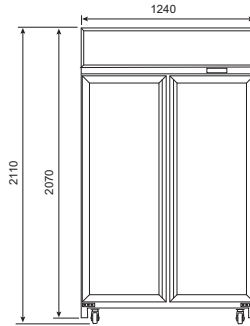
LN-180



LN-240



LN-124



Model	Dimension (mm)	Temperature (C)	Cooling Type	Voltage	Doors	Refrigerants
LN-61	610x646x2030	0~10	Fan-cooling	220~240V/50Hz	1	R134a
LN-124	1240x730x2110	0~10	Fan-cooling	220~240V/50Hz	2	R134a
LN-180	1800x730x2110	0~10	Fan-cooling	220~240V/50Hz	3	R134a
LN-240	2400x730x2110	0~10	Fan-cooling	220~240V/50Hz	4	R134a
LN-61D	610x646x2030	-15~-20	Fan-cooling	220~240V/50Hz	1	R404a
LN-120D	1200x730x2110	-15~-20	Fan-cooling	220~240V/50Hz	2	R404a
LN-180D	1800x730x2110	-15~-20	Fan-cooling	220~240V/50Hz	3	R404a
LN-240D	2400x730x2110	-15~-20	Fan-cooling	220~240V/50Hz	4	R404a

S SERIES ALL-IN-ONE BEVERAGE SHOWCASE BOTTOM-MOUNTED

Silver
 Gold
 Black



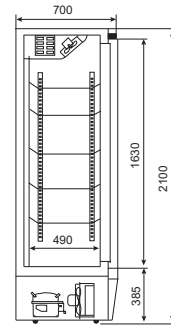
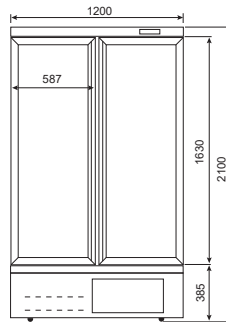
LNx-240



LNx-180



LNx-120



Model	Dimension(mm)	Temperature(°C)	Cooling Type	Voltage	Doors	Refrigerants
LNx-120	1200x700x2100	0~8	Fan-cooling	220~240V/50Hz	2	R404a
LNx-180	1800x700x2100	0~8	Fan-cooling	220~240V/50Hz	3	R404a
LNx-240	2400x700x2100	0~8	Fan-cooling	220~240V/50Hz	4	R404a
LNx-120D	1200x700x2100	-15~-20	Fan-cooling	220~240V/50Hz	2	R404a
LNx-180D	1800x700x2100	-15~-20	Fan-cooling	220~240V/50Hz	3	R404a
LNx-240D	2400x700x2100	-15~-20	Fan-cooling	220~240V/50Hz	4	R404a

Can do 220V~240V/60Hz or 110V/60Hz

S SERIES SPLIT UNIT BEVERAGE SHOWCASE

SPLIT-TYPE UNIT

Silver
 Gold
 Black



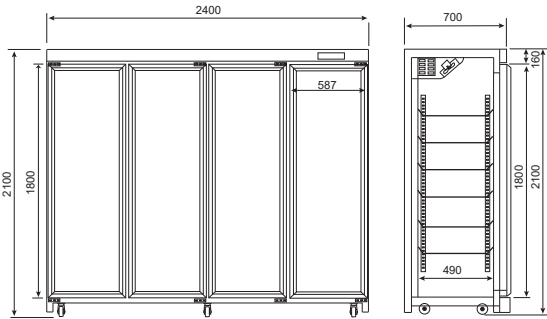
LNF-240



LNF-180



LNF-120



Model	Dimension(mm)	Temperature(℃)	Cooling Type	Voltage	Doors	Refrigerants
LNF-120	1200x700x2100	0~8	Fan-cooling	220~240V/50Hz	2	R404a
LNF-180	1800x700x2100	0~8	Fan-cooling	220~240V/50Hz	3	R404a
LNF-240	2400x700x2100	0~8	Fan-cooling	220~240V/50Hz	4	R404a
LNF-300	3000x700x2100	0~8	Fan-cooling	220~240V/50Hz	5	R404a

Can do 220V~240V/60Hz or 110V/60Hz

S series smart vending machine



S SERIES ALL-IN-ONE INTELLIGENT FRESH FOOD VENDING MACHINE



Automatic induction

The error is accurate to 1g



Strong applicability

Can sell most products
Recognition rate 100%



Flexibility to save

Products in the tray can be placed at will, no need for electronic price tags



System empowerment

Online system equipped with group purchase Diversification benefits

FEATURES OF SMART FRESH FOOD CABINETS

- 1 Independent research and development of intelligent system



The system can be compatible with the weight sensing of fresh fruits and vegetables at the same time, buy equipment and send it to the system

- 2 Intelligent marketing is rich in gameplay



Novice courtesy, payment courtesy, full discount, limited-time spike, lottery

- 3 Support multi-merchant level management



The site and agent profit sharing ratio can be set to facilitate investment and operation

- 4 Support customer OEM customization



The system can display customer brands, many years of industry experience, to meet various customizations

S SERIES ALL-IN-ONE INTELLIGENT FRESH FOOD VENDING MACHINE

Silver
 Gold
 Black



Model	Dimension(mm)	Temperature(℃)	Cooling Type	Voltage	Doors	Refrigerants
LNF-124	1240x730x2110	0~10	Fan-cooling	220~240V/50Hz	2	R134a
LNF-180	1800x730x2110	0~10	Fan-cooling	220~240V/50Hz	3	R134a

Can do 220V~240V/60Hz or 110V/60Hz



iphone

Android

pc

ipad

S series air curtain cabinet

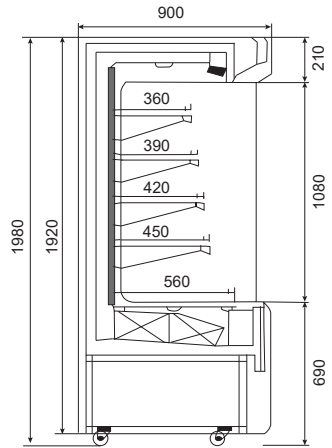


S SERIES ALL-IN-ONE AIR CURTAIN CABINET

White Black



SGZ-20



Night curtain

Transparent material, does not affect the display, prevents the loss of air-conditioning at night, and reduces power consumption.



Adjustable spacer shelves

The partition board can be adjusted according to the height of the product, which can be used flexibly and is convenient for product placement.



Front air intake

Stainless steel tufture, durable, not easy to rust, easy to clean.



LED lighting

Energy-saving LED lighting, upgrade the grade, convenient for customers to pick up.

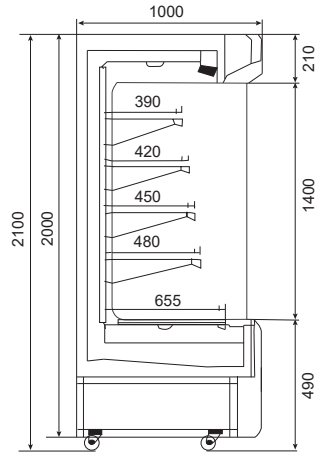
Model	Dimension(mm)	Temperature(°C)	Cooling Type	Voltage	Shelf	Refrigerants
SGZ-12	1200x900x1980	3~10	Fan-cooling	220V/380V50Hz	5	R22
SGZ-15	1500x900x1980	3~10	Fan-cooling	220V/380V50Hz	5	R22
SGZ-20	2000x900x1980	3~10	Fan-cooling	220V/380V50Hz	5	R22
SGZ-25	2500x900x1980	3~10	Fan-cooling	220V/380V50Hz	5	R22
SGZ-30	3000x900x1980	3~10	Fan-cooling	220V/380V50Hz	5	R22

S SERIES SPLIT AIR CURTAIN CABINET

White Black



SGZ-20F



Night curtain

Transparent material, does not affect the display, prevents the loss of air-conditioning at night, and reduces power consumption.



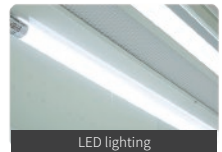
Adjustable spacer shelves

The partition board can be adjusted according to the height of the product, which can be used flexibly and is convenient for product placement.



Front air intake

Stainless steel tufted, durable, not easy to rust, easy to clean.



LED lighting

Energy-saving LED lighting, upgrade the grade, convenient for customers to pick up.

Model	Dimension(mm)	Temperature(°C)	Cooling Type	Voltage	Shelf	Refrigerants
SGZ-15F	1500x1000x2100	3~10	Fan-cooling	220V/380V50Hz	5	R22
SGZ-20F	2000x1000x2100	3~10	Fan-cooling	220V/380V50Hz	5	R22
SGZ-25F	2500x1000x2100	3~10	Fan-cooling	220V/380V50Hz	5	R22
SGZ-30F	3000x1000x2100	3~10	Fan-cooling	220V/380V50Hz	5	R22
SGZ-N	Nx1000x2100	3~10	Fan-cooling	220V/380V50Hz	5	R22

S series fresh meat cabinet
cooked food cabinet



S SERIES ALL-IN-ONE OPEN FRESH MEAT CABINET



SGX-20

Cabinet optional color:



Black White Red



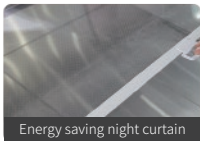
Curved glass

Curved glass is more beautiful, safer, avoids damage, and is sturdy and durable.



Front air intake

360° air circulation cooling ensures continuous cooling and maintains sufficient cold air in the cabinet.



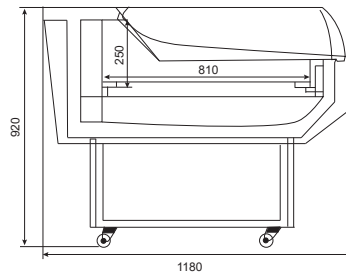
Energy saving night curtain

Transparent material, does not affect the viewing, pull up at night, lock the air-conditioning without loss, energy saving and power saving.



LED lighting

Energy-saving LED lighting, upgrade the grade, easy to access food.



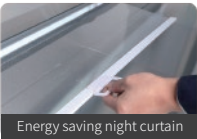
Model	Dimension(mm)	Temperature(℃)	Cooling Type	Power(W)	Voltage	Refrigerants
SGX-15	1500x1180x920	-2~8	Fan-cooling	733	220~240V/50Hz	R22
SGX-20	2000x1180x920	-2~8	Fan-cooling	825	220~240V/50Hz	R22
SGX-25	2500x1180x920	-2~8	Fan-cooling	1180	220~240V/50Hz	R22
SGX-30	3000x1180x920	-2~8	Fan-cooling	1457	220~240V/50Hz	R22

S SERIES SPLIT MACHINE OPEN FRESH MEAT CABINET



SGX-30F

Cabinet optional color:



Energy saving night curtain

Transparent material, does not affect viewing, pulls up at night, locks the air-conditioning without loss, saves energy and power.



Front air intake

360° air circulation cooling ensures continuous cooling and maintains sufficient cold air in the cabinet.



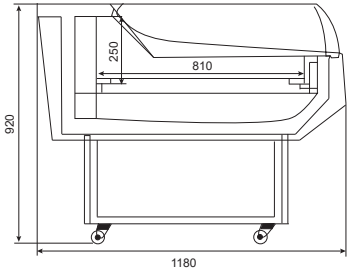
Stainless steel countertop

Stainless steel countertop, neat and clean, can put seasonings and more.



LED lighting

Energy-saving LED lighting, energy saving and power saving, easy to access food at night.



Model	Dimension(mm)	Temperature(C)	Cooling Type	Power(W)	Voltage	Refrigerants
SGX-20F	2000x1180x920	-2~8	Fan-cooling	825	220~240V/50Hz	R22
SGX-25F	2500x1180x920	-2~8	Fan-cooling	1180	220~240V/50Hz	R22
SGX-30F	3000x1180x920	-2~8	Fan-cooling	1457	220~240V/50Hz	R22
Above 3M	Nx1180x920	-2~8	Fan-cooling	N	220~240V/50Hz	R22

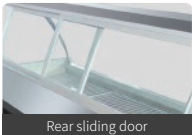
Can do 220V~240V/60Hz or 110V/60Hz 16

S SERIES ALL-IN-ONE FRONT DOOR DELI CABINET



SGK-20

Cabinet optional color:



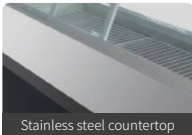
Rear sliding door

Convenient sliding door, easy to open and close, easy to take out, durable.



Defogging glass

High clear fog glass to avoid water droplets blocking the line of sight, and the display is more beautiful.



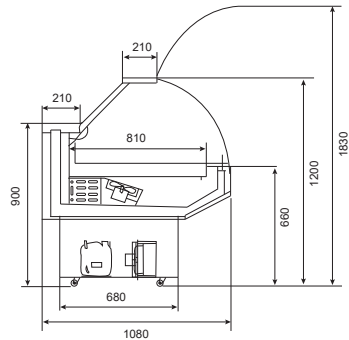
Stainless steel countertop

Stainless steel countertop, neat and clean, can put seasonings and more.



LED lighting

Energy-saving LED lighting improves the display level and facilitates access to food.



Model	Dimension(mm)	Temperature(°C)	Cooling Type	Power(W)	Voltage	Refrigerants
SGK-13	1320x1180x1260	2~8	Fan-cooling	680	220~240V/50Hz	R22
SGK-20	2000x1180x1260	2~8	Fan-cooling	980	220~240V/50Hz	R22
SGK-25	2500x1180x1260	2~8	Fan-cooling	1250	220~240V/50Hz	R22
SGK-30	3000x1180x1260	2~8	Fan-cooling	1435	220~240V/50Hz	R22

S SERIES ALL-IN-ONE FIXED GLASS DELI CABINET



SG-20

Cabinet optional color:



Rear sliding door

Convenient sliding door, easy to open and close, easy to take out, durable.



Defogging glass

High clear fog glass to avoid water droplets blocking the line of sight, and the display is more beautiful.



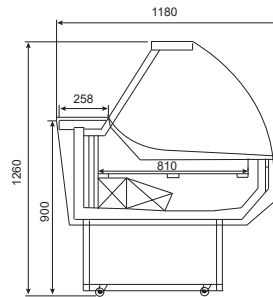
Stainless steel countertop

Stainless steel countertop, neat and clean, can put seasonings and more.



LED lighting

Energy-saving LED lighting improves the display level and facilitates access to food.

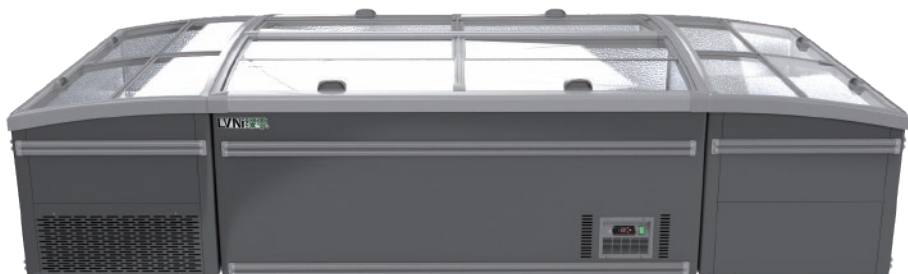


Model	Dimension(mm)	Temperature(C)	Cooling Type	Power(W)	Voltage	Refrigerants
SG-15	1500x1180x1260	2~8	Fan-cooling	530	220~240V/50Hz	R22
SG-20	2000x1180x1260	2~8	Fan-cooling	680	220~240V/50Hz	R22
SG-25	2500x1180x1260	2~8	Fan-cooling	980	220~240V/50Hz	R22
SG-30	3000x1180x1260	2~8	Fan-cooling	1435	220~240V/50Hz	R22

**S series frost-free combination
island freezer**



S SERIES ALL-IN-ONE DIRECT COOLING FROST-FREE COMBINATION ISLAND FREEZER



Anti-fog glass

High-definition coating anti-fog glass, reduce fog generation, high-definition display, better experience.



Quality load basket

Deeper load-bearing baskets hold more ingredients and are sturdy and durable.



Reinforced handle

Deeper load-bearing baskets hold more ingredients and are sturdy and durable.



Intelligent temperature control

The Jingchuang microcomputer automatic temperature controller is easy to operate and the temperature display is clear at a glance.

Model	Dimension(mm)	Temperature(C)	Cooling Type	Power(W)	Voltage	Refrigerants
SD-1850D	1850x850x795	-18~-22	Direct cold	410	220~240V/50Hz	R290
SD-1450	1450x850x870	-18~-22	Direct cold	350	220~240V/50Hz	R290
SD-1450G	1850x850x870	-18~-22	Direct cold	410	220~240V/50Hz	R290
SD-2100	2100x850x870	-18~-22	Direct cold	495	220~240V/50Hz	R290
SD-2500	2500x850x870	-18~-22	Direct cold	495	220~240V/50Hz	R290



LVNI BEIJING BRANCH

Address: No. 49, Gaolou Village, Malian Road, Fengtai District, Beijing

LVNI GUANGZHOU HEADQUARTERS/AILIPUSH Marketing Center

Address: Room 701, Chengye Building, No. 798, Xingnan Avenue,

Nancun Town, Panyu District, Guangzhou

Official website: www.lvni.net

LVNI CHENGDU BRANCH

Address: 2nd Floor, Building C, Xinwulian Port Food Packaging Machinery

Trading Center, No. 1988 Xingcheng Avenue, Xindu District, Chengdu

LVNI HUNAN BRANCH

Address: No. 4451-4495, 4th Floor, Hall 3, Yuetang International Trade City, No. 88,

Hetang Road, Furong Avenue, Yuetang District, Xiangtan City, Hunan Province

LVNI HUNAN PRODUCTION BASE

Address: Jianye Road, Economic and Technological Development Zone,

Lengshuitan District, Yongzhou City, Hunan Province

LVNI SHANGHAI BRANCH

Address: Room 211, No. 1, Weiguang Qingchuang Base, No. 523-525, Jiasong

Middle Road, Qingpu District, Shanghai

LVNI SHENZHEN BRANCH

Address: No. 26, Putian Road, Bainikeng Community, Pinghu Street Office,

Longgang District, Shenzhen

Name: Maggie Xiong (Sales Manager)

Mobile: +86 18927583976

Email: sales1@lvni-greenlife.com