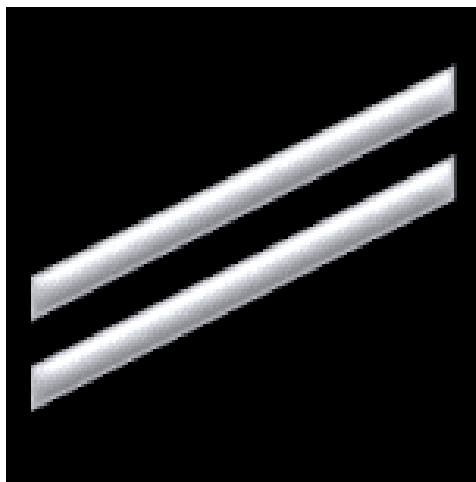


NJROTC STUDY GUIDE

CADET

SEAMAN APPRENTICE



***This study guide is an exact copy of the PARS card and may not cover everything or may have more information than that is on the advancement exam. Cadets are still expected to use their CFMs and CRMs for more information and ask other cadets.

Pledge of Allegiance



I pledge allegiance to the flag
of the United States of America
and to the republic for which it stands,
one nation under God, indivisible,
with liberty and justice for all.

Identify Navy and Cadet Enlisted Ranks

Cadet Enlisted Ranks

NO IMAGE Cadet Seaman Recruit (E-1)					
					
	Cadet Seaman Apprentice (E-2)	Cadet Seaman (E-3)	Cadet Petty Officer 3rd Class (E-4)	Cadet Petty Officer 2nd Class (E-5)	Cadet Petty Officer 1st Class (E-6)
	Cadet Chief Petty Officer (E-7)		Cadet Senior Chief Petty Officer (E-8)		Cadet Master Chief Petty Officer (E-9)

Navy Enlisted Ranks

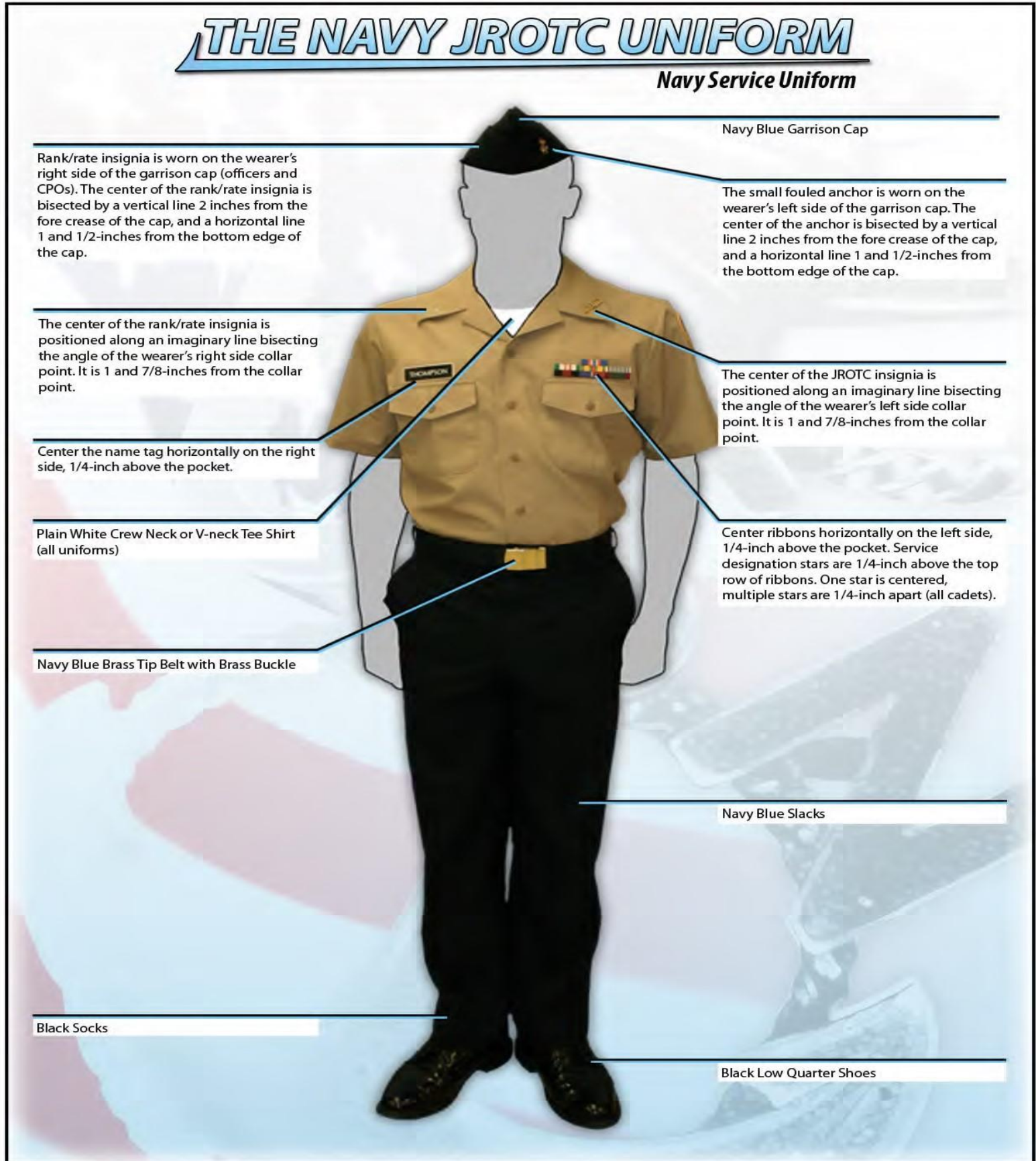
NO IMAGE Recruit (E-1)					
					
	Seaman Apprentice (E-2)	Seaman (E-3)	Petty Officer 3rd Class (E-4)	Petty Officer 2nd Class (E-5)	Petty Officer 1st Class (E-6)
	Chief Petty Officer (E-7)		Senior Chief Petty Officer (E-8)		Master Chief Petty Officer (E-9)

Identify Uniform Regulations (for your gender)

Male Uniform Regulations

THE NAVY JROTC UNIFORM

Navy Service Uniform



Navy Blue Garrison Cap

Rank/rate insignia is worn on the wearer's right side of the garrison cap (officers and CPOs). The center of the rank/rate insignia is bisected by a vertical line 2 inches from the fore crease of the cap, and a horizontal line 1 and 1/2-inches from the bottom edge of the cap.

The small fouled anchor is worn on the wearer's left side of the garrison cap. The center of the anchor is bisected by a vertical line 2 inches from the fore crease of the cap, and a horizontal line 1 and 1/2-inches from the bottom edge of the cap.

The center of the rank/rate insignia is positioned along an imaginary line bisecting the angle of the wearer's right side collar point. It is 1 and 7/8-inches from the collar point.

The center of the JROTC insignia is positioned along an imaginary line bisecting the angle of the wearer's left side collar point. It is 1 and 7/8-inches from the collar point.

Center the name tag horizontally on the right side, 1/4-inch above the pocket.

Plain White Crew Neck or V-neck Tee Shirt (all uniforms)

Center ribbons horizontally on the left side, 1/4-inch above the pocket. Service designation stars are 1/4-inch above the top row of ribbons. One star is centered, multiple stars are 1/4-inch apart (all cadets).

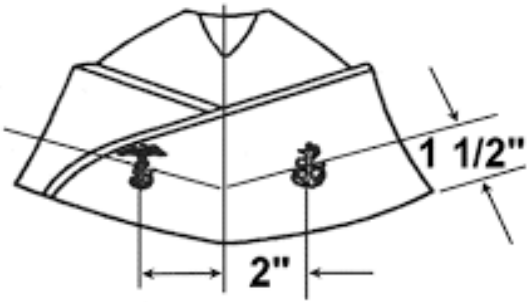
Navy Blue Brass Tip Belt with Brass Buckle

Navy Blue Slacks

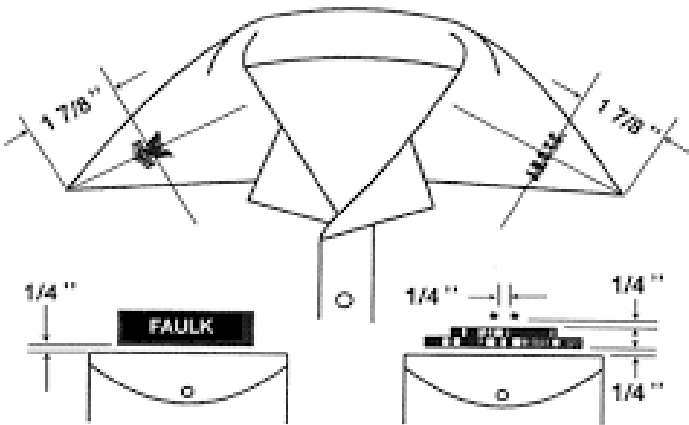
Black Socks

Black Low Quarter Shoes

Male Uniform Explained



The anchor worn on the left side and is positioned 2 inches from the fore crease and 1 1/2 inches from bottom edge.



Collar devices are worn 1 7/8 inches from the collar point centered along the imagery line.

The nametag is worn on the right side and ribbons are worn on the left side and both are placed 1/4 inches above the pocket. (Centered between the pocket tips)

Female Uniform Regulations

THE NAVY JROTC UNIFORM

Navy Service Uniform

Navy Blue Garrison Cap

Rank/rate insignia is worn on the wearer's right side of the garrison cap (officers and CPOs). The center of the rank/rate insignia is bisected by a vertical line 2 inches from the fore crease of the cap, and a horizontal line 1 and 1/2-inches from the bottom edge of the cap.

The small fouled anchor is worn on the wearer's left side of the garrison cap. The center of the anchor is bisected by a vertical line 2 inches from the fore crease of the cap, and a horizontal line 1 and 1/2-inches from the bottom edge of the cap.

The center of the rank/rate insignia is positioned along an imaginary line bisecting the angle of the wearer's right side collar point. It is 1 and 7/8-inches from the collar point.

The center of the JROTC insignia is positioned along an imaginary line bisecting the angle of the wearer's left side collar point. It is 1 and 7/8-inches from the collar point.

Center the name tag horizontally over the front seam on the right side, 6 1/4 inches down from the intersection of the front and shoulder seams.

Khaki Long or Short Sleeve Shirt

Plain White Crew Neck or V-neck Tee Shirt (all uniforms)

Center ribbons horizontally over the front seam on the left side, 6 1/4 inches down from the intersection of the front and shoulder seams. Service designation stars are 1/4-inch above the top row of ribbons. One star is centered, multiple stars are 1/4-inch apart (all cadets).

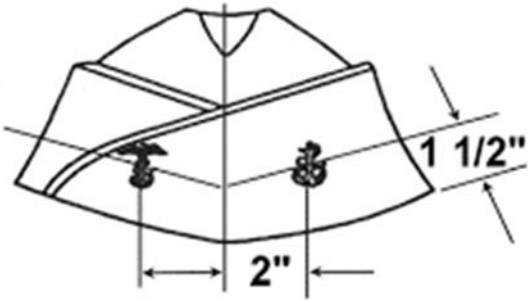
Navy Blue Slacks

Black Low Quarter Shoes or Pumps

Black Socks

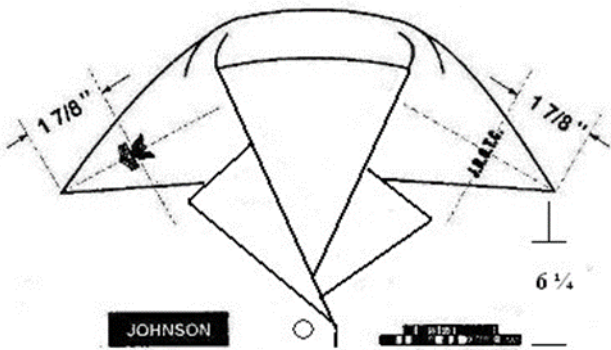


Female Uniform Explained



The anchor worn on the left side and is positioned 2 inches from the fore crease and 1 1/2 inches from bottom edge.

Collar devices are worn 1 7/8 inches from the collar point centered along the imagery line.



Placement of the bottom of the ribbons (worn on the left side) and nametag (worn on the right side) shall be 6 1/4 inches down from the intersection of the front seam and shoulder seam and centered over the front seam.

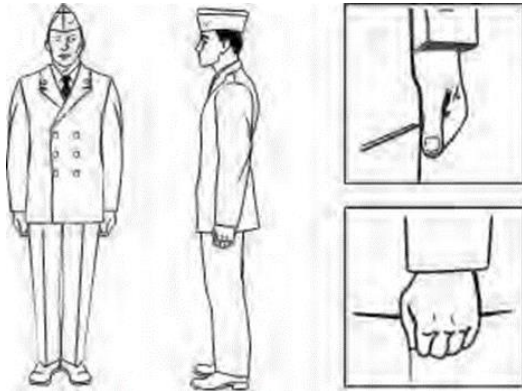
*If measured right the nametag and ribbons should sit on the same imaginary line

General Orders to the Sentry (1 through 5)

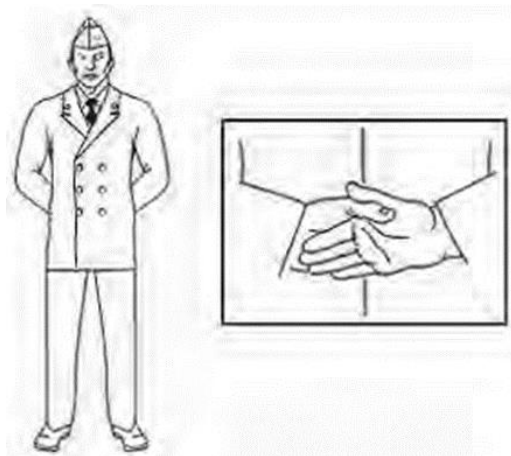
1. Take charge of this post and all government property in view.
2. Walk my post in a military manner, keeping always on the alert, and observing everything that takes place within sight or hearing.
3. Report all violations of orders I am instructed to enforce.
4. Repeat all calls from any posts more distant from the guardhouse or the quarter-deck than my own.
5. Quit my post only when properly relieved.

Basic Stationary Drill

Position of Attention: While at attentions cadets stand straight with their heels together and feet at a 45-degree angle, hands in a fist with your thumb along the seams of your pants, and maintain bearing.

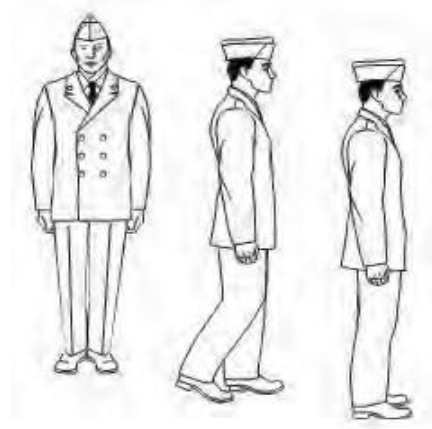


Parade Rest: While at parade rest cadets stand straight with their heels smartly 12 inches apart. The left hand is placed over the right hand. The thumb of the right hand lightly grasps the thumb of the left.

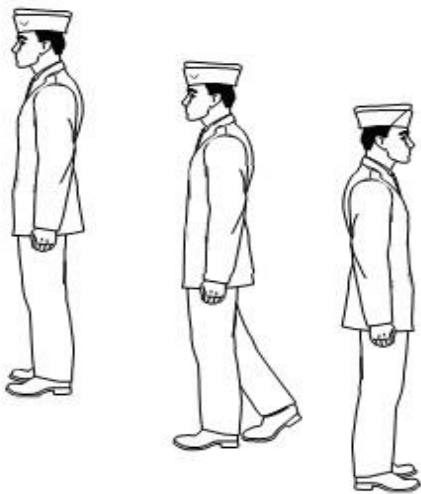


Basic Stationary Drill cont.

Right Face: On count one, at the command “**FACE,**” raise your left heel and right toe slightly. Turn to the right on your right heel and left toe. Keep your left leg straight but not stiff. On count two, place the left foot smartly beside the right and stand at attention. Left face is executed vice versa.



About Face: On count one at the command “**FACE,**” place your right toe half your foot’s length behind and slightly to the left of your heel. Do not change the position of your left foot. Rest your weight evenly on the left heel and the ball of the right foot. On count two, turn smartly to the right until facing rear. The turn is made on the left heel and ball of the right foot. The knees remain straight, but not locked during the movement.



Hand Salute

When the command “**SALUTE**” is given, raise your right hand smartly in the most direct manner until the tip of your forefinger touches the lower part of the combo cover above and slightly right of your right eye. Your fingers should be extended and joined with the thumb along the forefinger. You should be able to see your entire palm when looking straight ahead. Your upper arm should be parallel with the deck with the elbow in line with the body and your forearm at a 45-degree angle. Your wrist, hand and forearm should be straight, a continuation of the line made by your arm. At the same time, if not in ranks, turn your head and eyes toward the person or colors you are saluting.



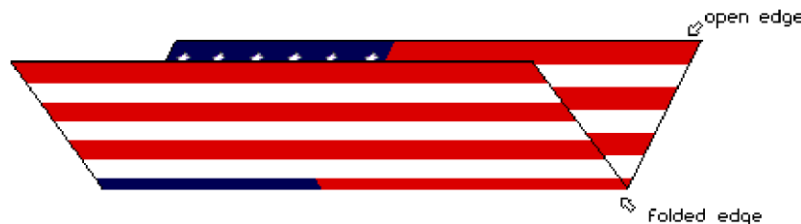
Properly fold the National Ensign

Step 1



To properly fold the flag, begin by holding it waist-high with another person so that its surface is parallel to the ground.

Step 2



Fold the lower half of the stripe section lengthwise over the field of stars, holding the bottom and top edges securely.

Step 3



Fold the flag **again** lengthwise with the blue field on the **outside**

Step 4



Make a triangular fold by bringing the striped corner of the folded edge to meet the open (top) edge of the flag.

Step 5



Turn the outer (end) point inward, parallel to the open edge, to form a second triangle.

Step 6



The triangular folding is continued until the entire length of the flag is folded in this manner.

Step 7



When the flag is completely folded, only a triangular blue field of stars should be visible.