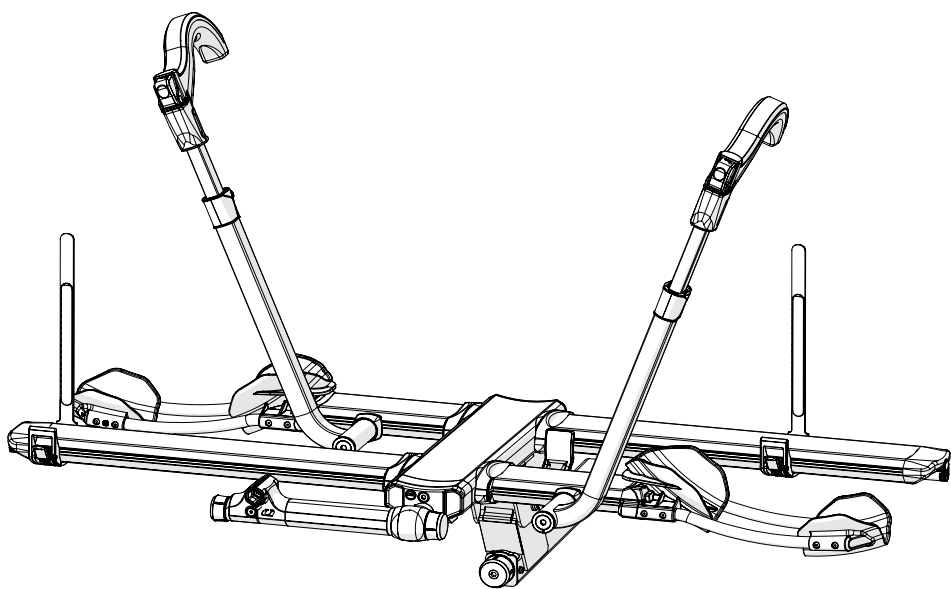
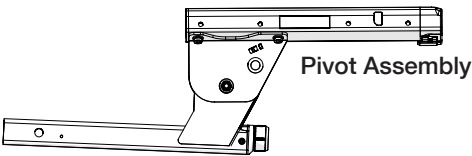
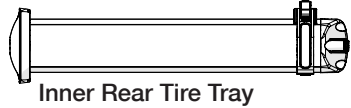
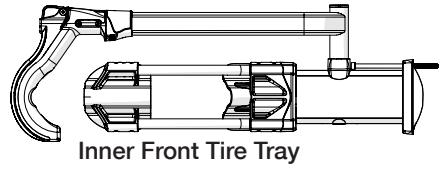
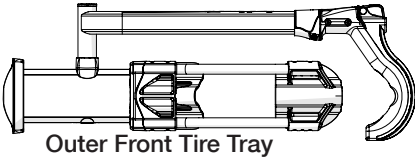


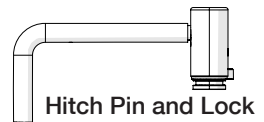
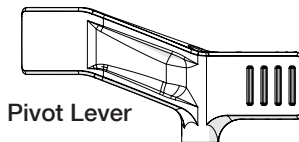
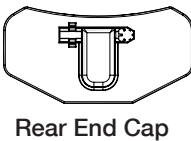
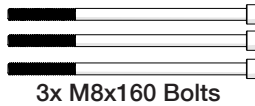
NV™ 2.0



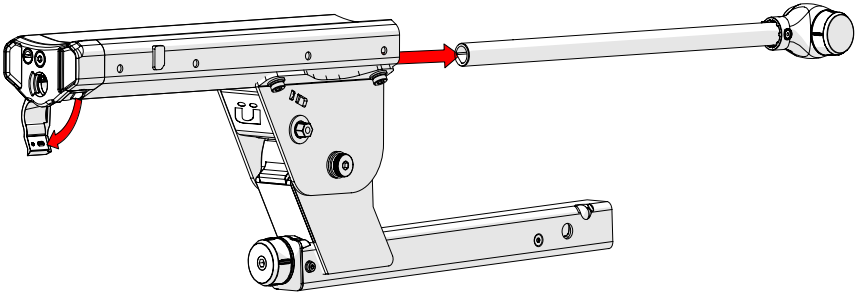
Parts:



Included in the parts box:

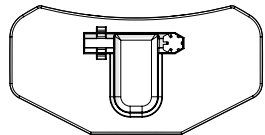


STEP 1. Throw the end cap lever open to release the Trail Doc™ Post and pull the Trail Doc™ Post completely out from the rear of the center-beam.

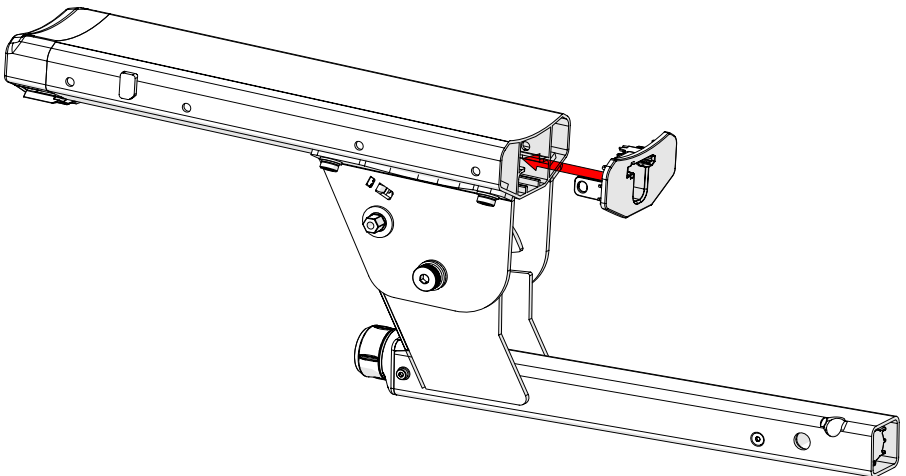


STEP 2. Insert rear end cap.

Part Needed:

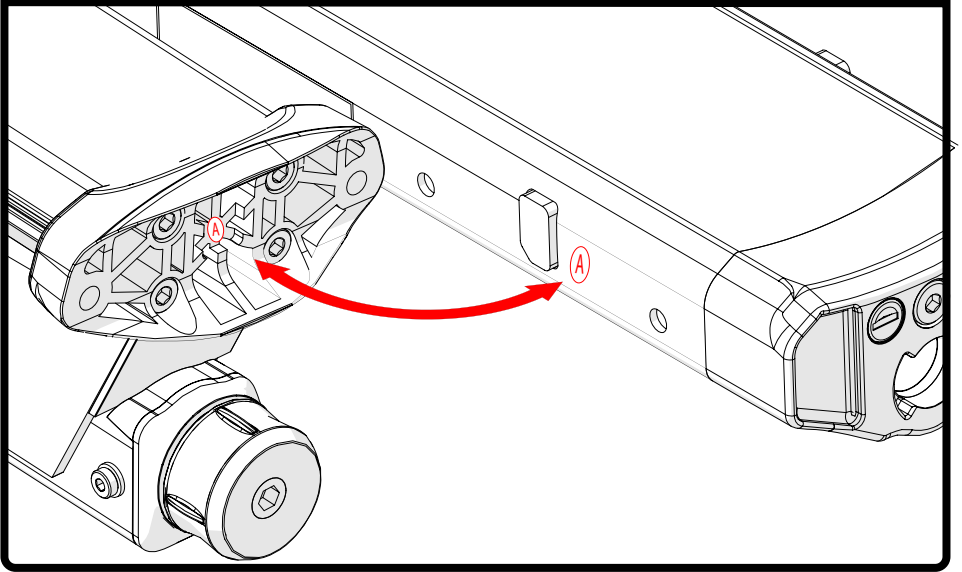
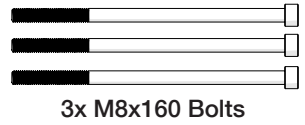


Rear End Cap

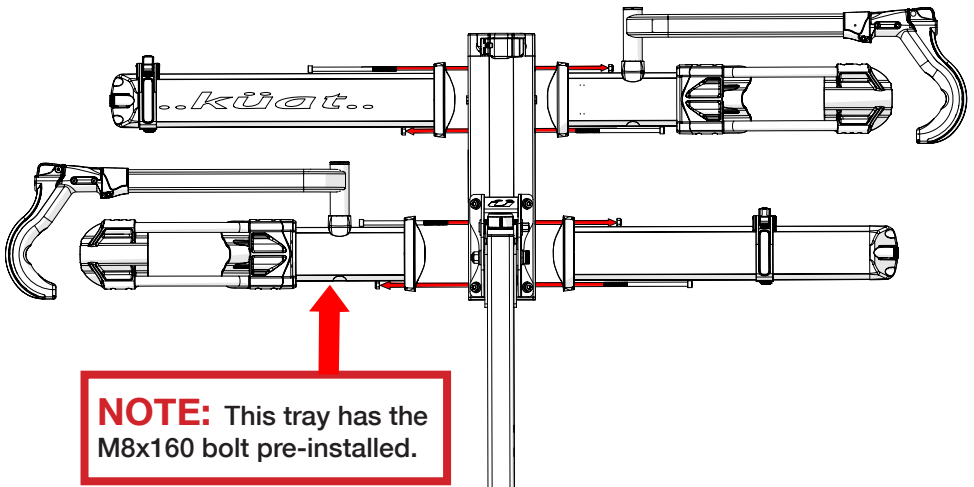


STEP 3. Align the trays with the holes on the center-beam by matching the coordinating labels. Then alternate between bolts to tighten.

Parts Needed:



NOTE: The trays with the “..Küat..” Logo will be farthest from the hitch. Performing this step with the rack upside down will ease assembly.



STEP 4. Press the pivot lever onto the corresponding keyed shaft. Then tighten the bolt with the lock washer to secure the pivot lever.

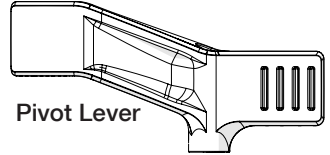
Parts Needed:



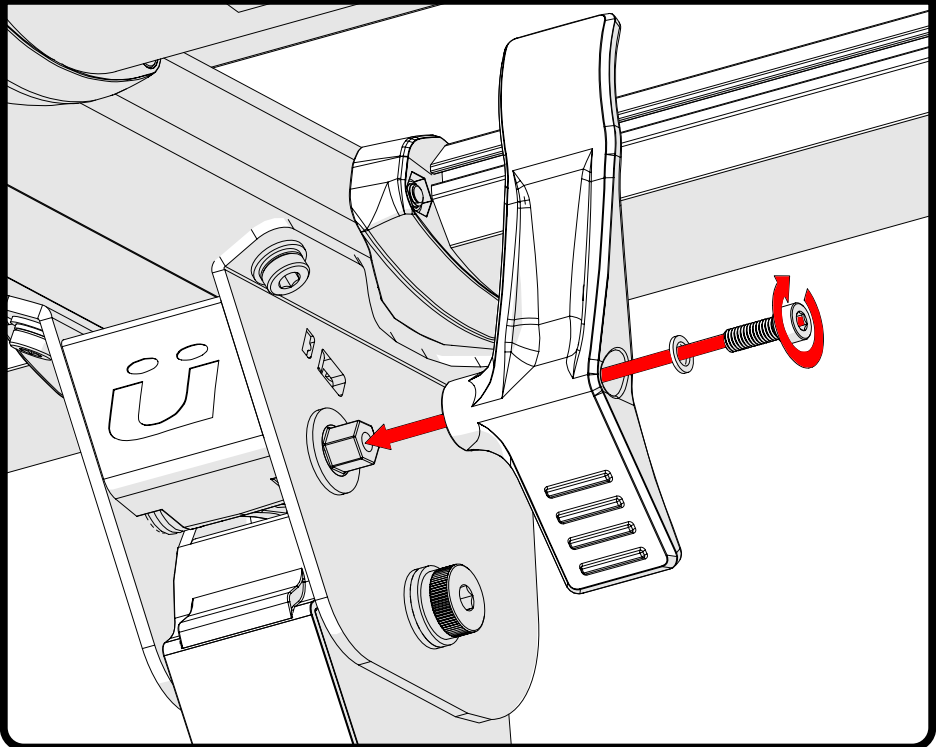
M8 Lock Washer



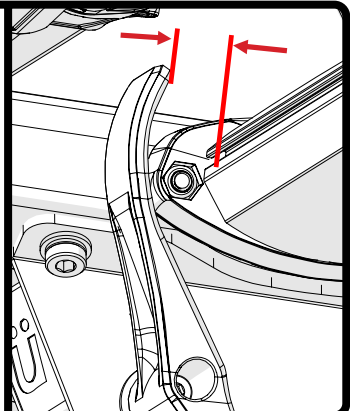
M8x45 Bolt



Pivot Lever



NOTE: When positioning the pivot lever there should be about 1 in (25.4mm) of space between the lever and the tray.



STEP 5. Thread the Trail Doc™ clamp onto the Trail Doc™ post.

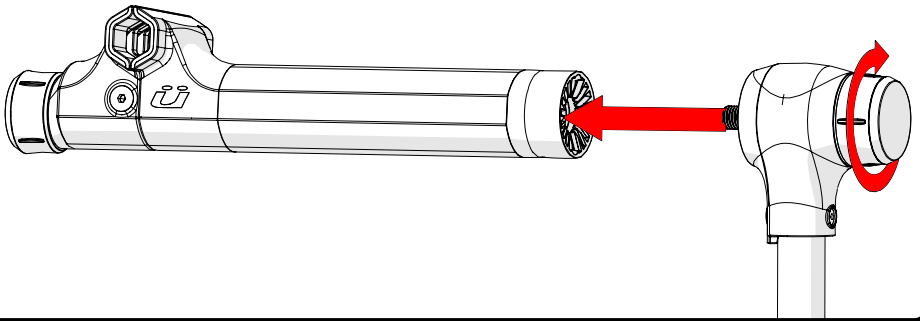
Parts Needed:



Trail Doc™ Clamp

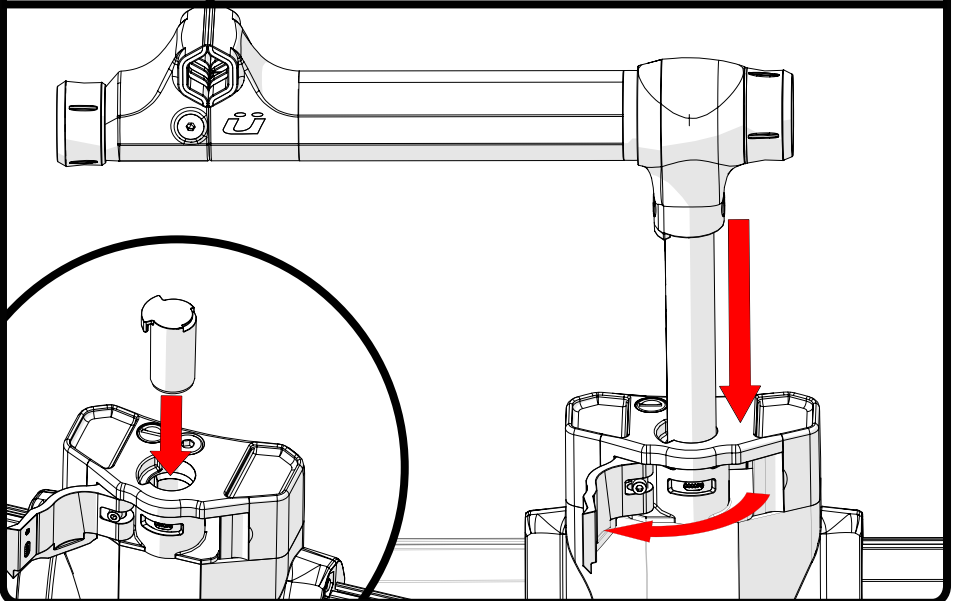


Trail Doc™ Post

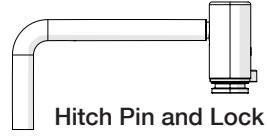


STEP 6. Open the lever on the end cap and insert the Trail Doc™.

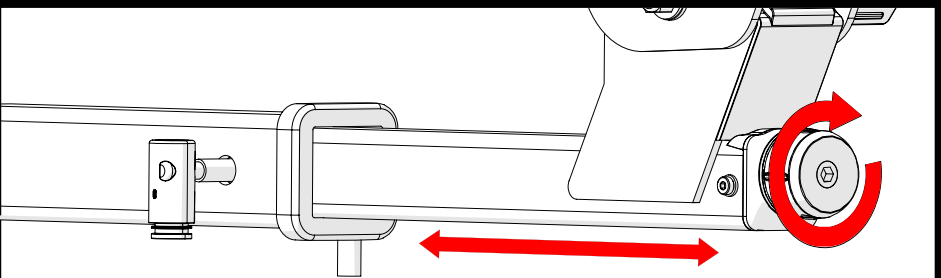
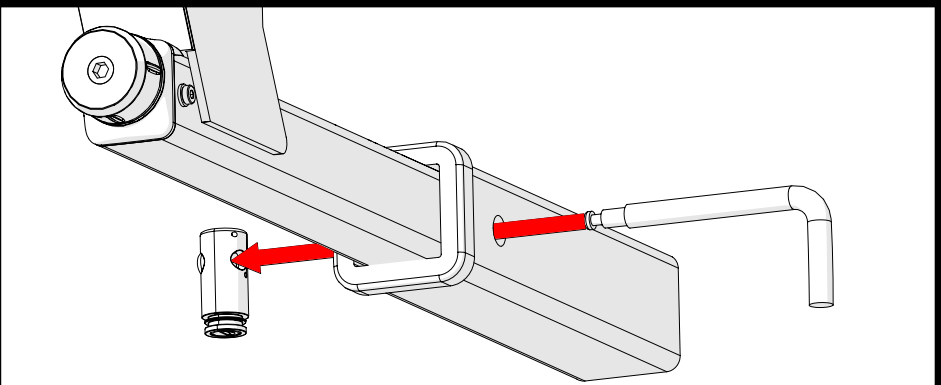
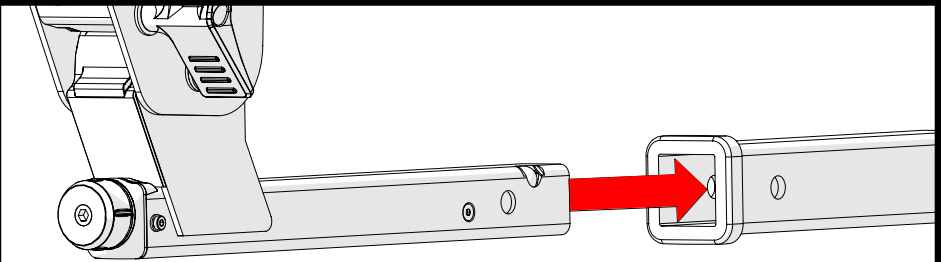
NOTE: Use the end cap plug to keep debris out when the Trail Doc™ is not installed. The tension on the lever can be adjusted using a 3mm allen wrench.



STEP 7. Insert the rack into the hitch receiver and align the hitch pin holes, then insert the hitch pin and lock. Push or pull the rack in the hitch receiver to remove rattle caused by the hitch pin and turn the knob until tight.



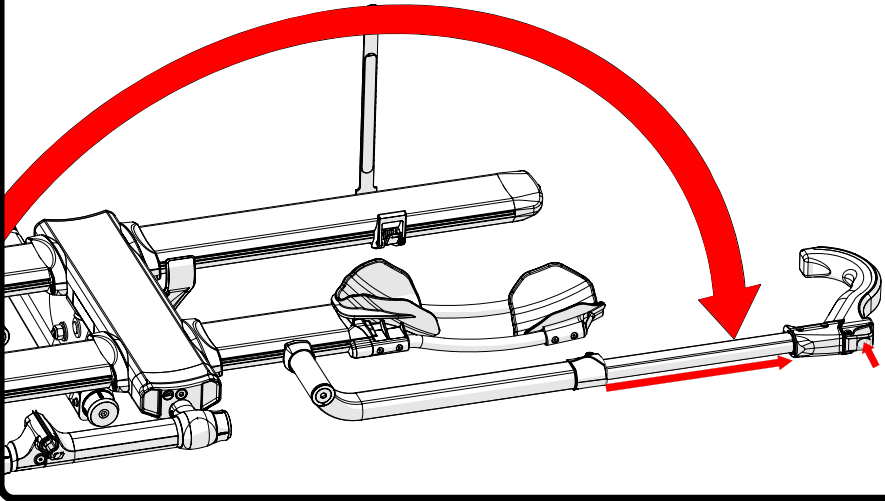
Parts Needed:



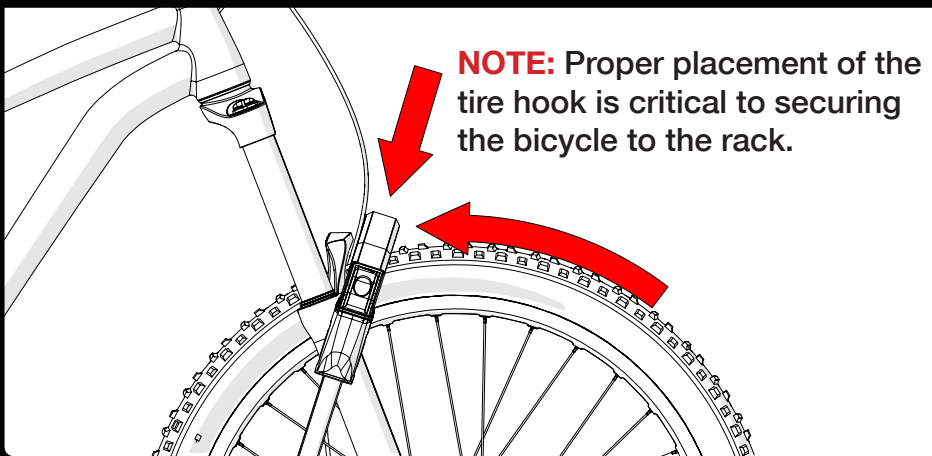
Loading bicycles:

STEP 1. Rotate the tire hook outward. Press the button and extend the hook.

NOTE: When not in use keep the tire hook rotated inward to avoid damage.

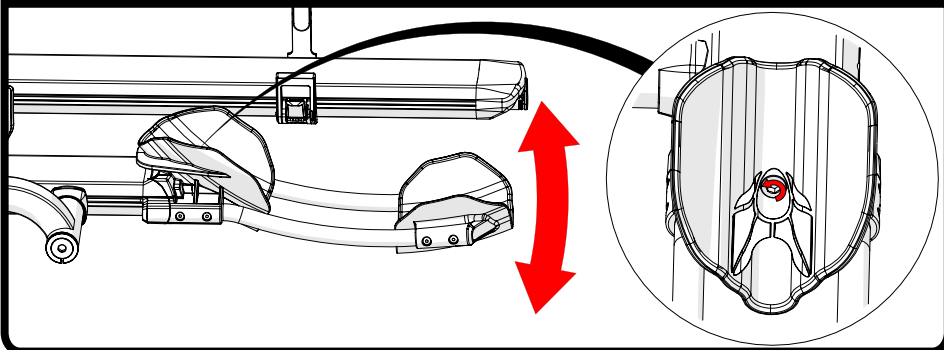


STEP 2. Set the bicycle on the rack and place the hook as close to the bicycle's front fork as possible, then ratchet the hook down onto the tire.



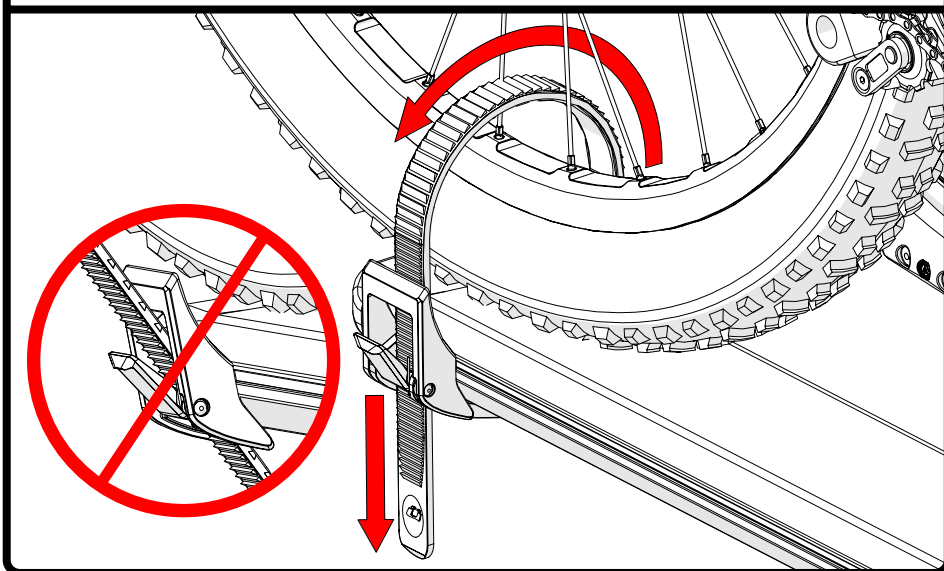
NOTE: Proper placement of the tire hook is critical to securing the bicycle to the rack.

NOTE: To adjust for bicycle fit issues loosen the front cradle bolt with an 8mm allen wrench (Do not fully remove the bolt). Once loose, move the cradle to one of three positions; up, center, or down. Tighten the bolt to secure the cradle in position. Failure to re-tighten bolt can lead to loss of bike.



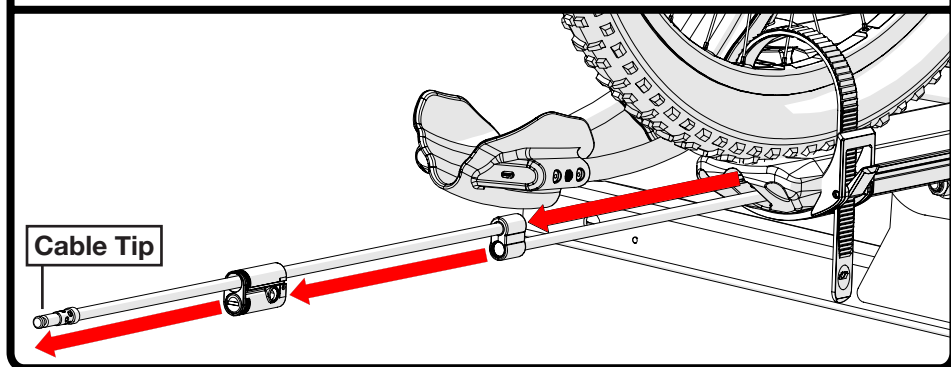
STEP 3. Feed the rear tire strap through the rear tire and behind the tire retention tab, then pull through the ratchet pawl until the rear tire is secure.

NOTE: Failure to properly feed and tighten the strap can lead to loss of bike.



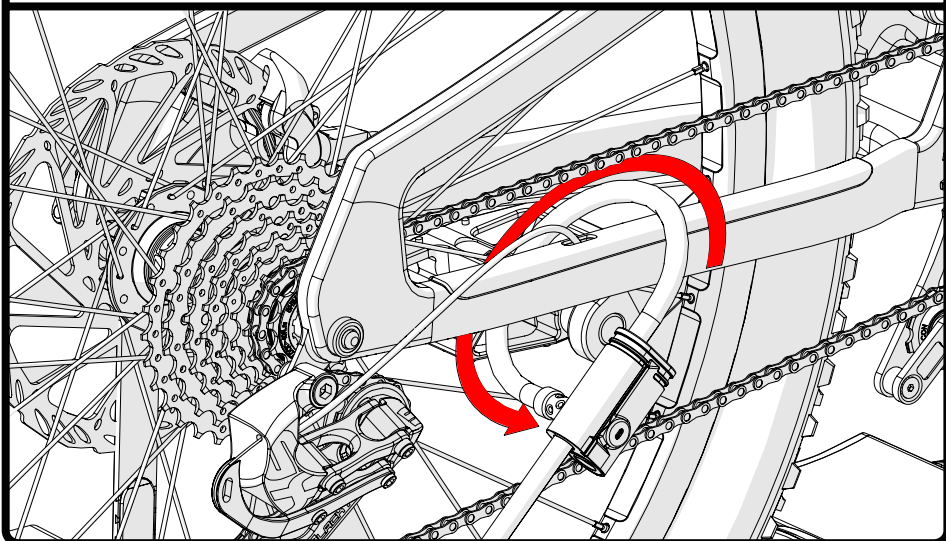
STEP 4. Pull the lock and cable completely out from the rear tire tray.

NOTE: When re-inserting the lock cable ensure cable tip makes contact with magnet in rack.

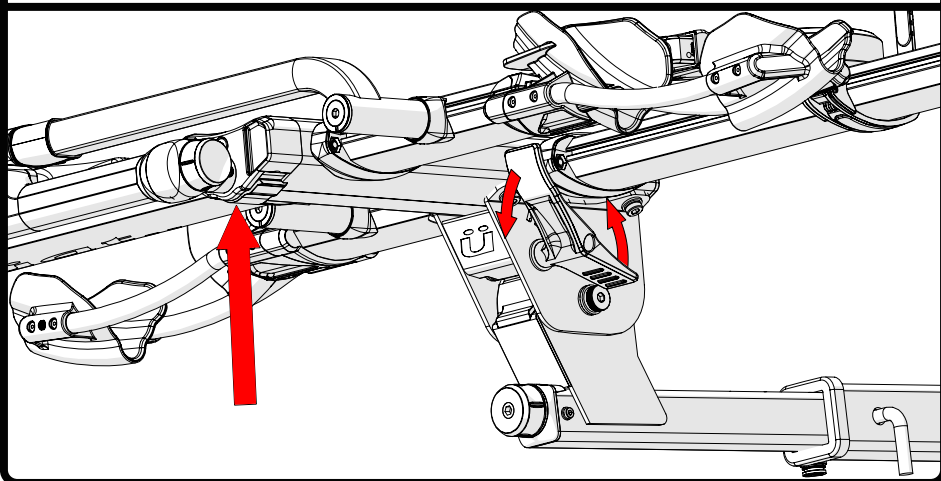


STEP 5. Loop the cable through the rear triangle and insert the lock tip into the lock found on the cable.

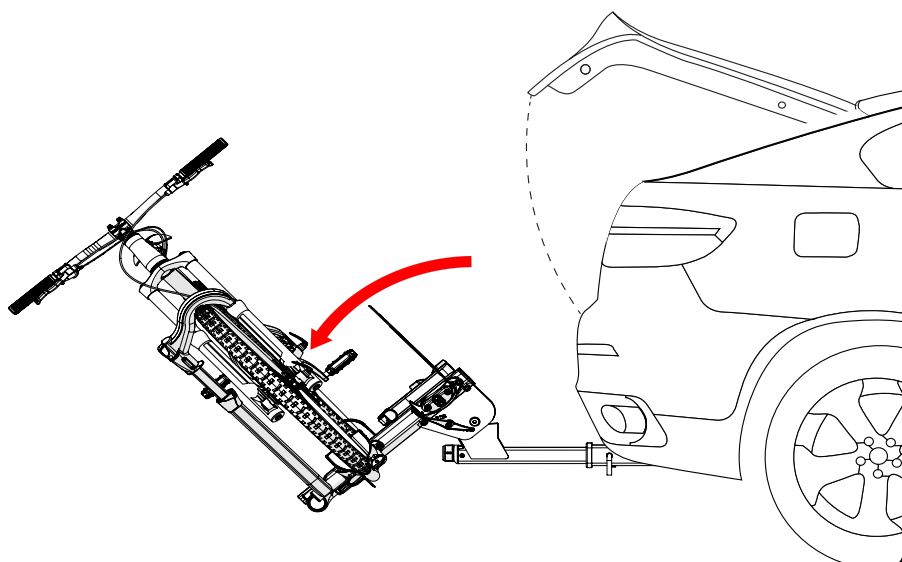
NOTE: Each lock cable is designed to lock a single bicycle.



STEP 6. When adjusting the pivot position always support the end of the rack before engaging the pivot lever. This will assist with the release of the pivot lever and prevent the rack from falling.

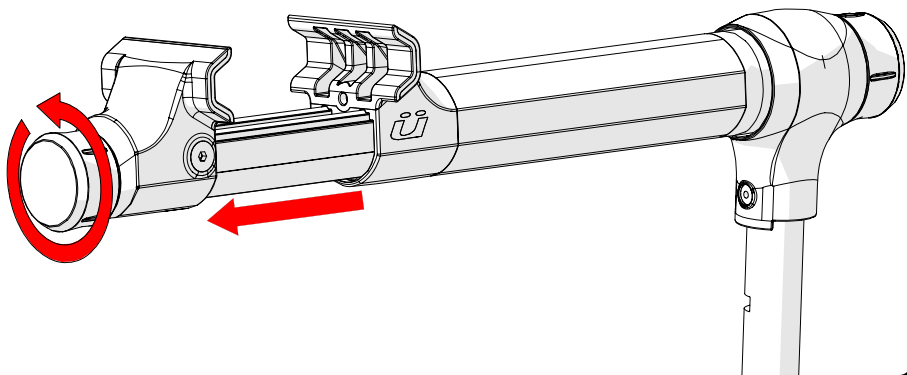


NOTE: The rack can tilt down for access to the rear hatch of the vehicle. Use caution when opening the rear hatch as this may not clear all hatches.

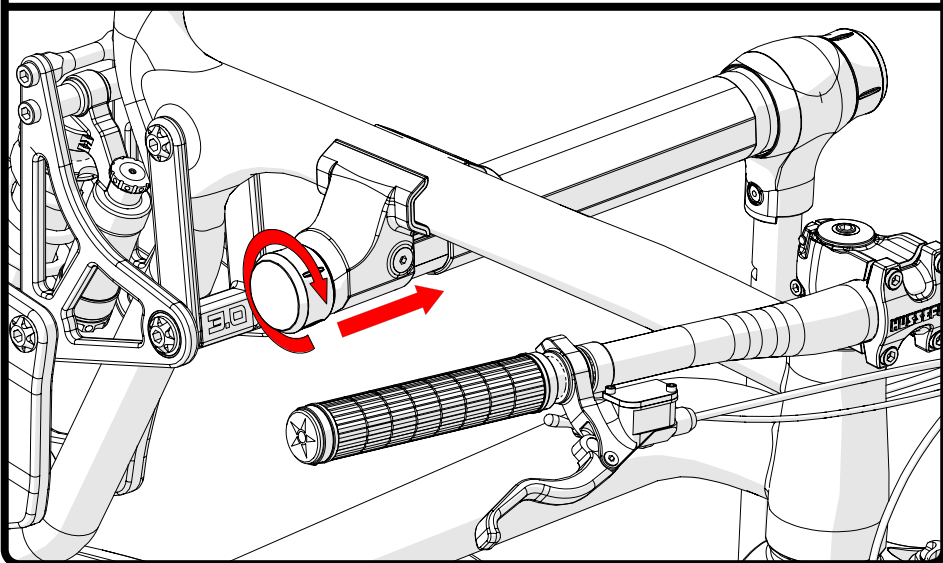


Operating the Trail Doc™:

STEP 1. Open the Trail Doc™ clamp by rotating the knob counterclockwise until the clamp springs open.

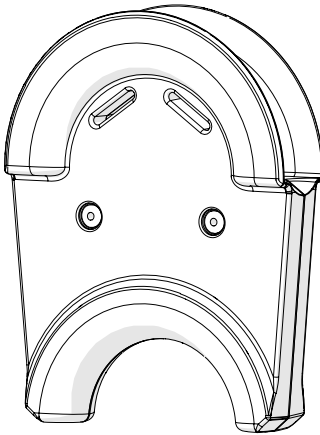


STEP 2. While holding the bicycle in place rotate the knob 1/4 of a turn clockwise, to engage the ratcheting mechanism, and close the clamp. Once the clamp is closed continue to rotate the knob clockwise until the bicycle is secured.

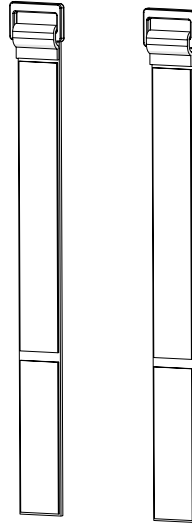


Additional Notes:

NOTE: When loading bicycles with 20"-24" front tires an adapter must be used. Please contact Kuat Racks directly by calling toll free 1(877)822-5828, or by emailing us at info@kuatracks.com and a 20"-24" adapter kit will be provided.



20"-24" Adapter Kit



Tips and Tricks.

- Periodically check all nuts and bolts for proper tightness, not doing so can lead to premature wear or rack failure.
- Lubricate the lock mechanisms using a light oil. Keep the cover on the hitch pin lock at all times.
- The 8mm allen wrench can be stored in the rear end cap for easy access.
- The 8mm allen wrench can be used to tighten and loosen the cam system.
- Keeping your rack clean will help prevent corrosion and keep the rack working correctly for years.
- The pivot handle is also designed to be used as foot pedal when lowering the trays.
- Make sure the bicycles' tires are properly inflated and free of leaks. Bicycles can become loose if a tire deflates while in the rack.

Kuat Rack Warnings

NV™ 2.0

Number Of Bikes

2

Weight Per Bike

60 lb

27.2 kg

Max Wheelbase

48 in

1219 mm

Max Tire Width

5 in

127 mm

Kuat No Worries Warranty

Our “No Worries Warranty” has you covered like the poncho in your backpack or the winch on your bumper, there when you need it. The goal? To ensure your Kuat product performs as intended, over time, every time, for life.

WARNINGS

- Follow instructions for proper assembly, mounting and loading procedures.
- Check tightness of all bolts and screws periodically.
- Make sure the rack and your vehicle receiver are in good working condition before each use.
- If tire exceeds the width of 3in you must use Phat Tire kit. Do not exceed max tire width of 4.8in
- Do not use rack Off-Road*. (*Rough, washed out, boulder-and-rut-strewn backroads)
 - Smooth gravel roads are not considered off-road.
- Do not use 3rd-Party hitch extenders with this product. **Hi-Lo** and **Pivot** available from Kuat.
- Do not use this product on a recreational vehicle or trailer.
- Do not use rain or wind-covers or tarps with this product.
- Place the front tire clamp next to the front fork.
- Do not take through automatic carwash.
- Do not use front tire bicycle fenders with this product.

If you have questions or problems with your rack, please contact Kuat Racks directly by calling toll free 1(877)822-KUAT, or by email: info@kuatracks.com.

ADVERTENCIAS

- Revise el apriete de todos los pernos y tornillos de forma periódica.
- **NO LO USE EN TODO TERRENO.**
- Siga las instrucciones para un ensamblaje propio, procedimientos de montaje y procedimientos de carga.
- Asegúrese que el portabicicletas y el receptor de su vehículo estén en buenas condiciones antes de cada uso.
- No use ganchos extensibles con este producto.
- No use este producto en un vehículo recreativo o tráiler.
- No use cubiertas o forros para lluvia o viento con este producto.
- Ponga la tijera de la llanta frontal del lado de los brazos de carga frontales.
- No utilice guardabarros bicicleta deneumáticos delanteros con este producto.
- No lo pase a través de un lavado de autos automático.

Si tiene usted alguna pregunta o problema con su portabicicletas, por favor contacte a Kuat Racks directamente llamando a nuestro número gratuito 1(877)822-KUAT, o por e-mail: info@kuatracks.com.

AVERTISSEMENTS

- Vérifier le serrage des boulons et des vis périodiquement.
- **NE PAS UTILISER À L'EXTÉRIEUR DU RÉSEAU ROUTIER (OFF-ROAD).**
 - Bien suivre les instructions de processus d'assemblage, montage et chargement.
 - S'assurer du bon fonctionnement du rack et du véhicule avant l'utilisation.
 - Ne pas combiner ce produit avec des rallonges de l'attache-remorque.
 - Ne pas utiliser ce produit sur un véhicule récréatif ou sur une remorque.
 - Ne pas utiliser les housses contre la pluie ou le vent, ni les bâches avec ce produit.
 - Placer le crampon du pneu avant à côté de la fourche avant du vélo.
 - No utilice guardabarros bicicleta de neumáticos delanteros con este producto.
 - Ne pas laisser le rack sur le véhicule lors des lavages automatiques (car wash)

Si vous avez des questions ou si vous éprouvez des problèmes avec votre rack, nous vous à nous contacter chez Kuat Racks au numéro sans frais: 1(877)822-KUAT ou par e-mail: info@kuatracks.com

Küat Racks Limited Lifetime Warranty

Küat honors the warranty on all Küat brand products for original owners of the product. Warranty is not transferable.

If a Küat rack that is covered by the terms of this warranty and is determined by Küat, to be defective, Küat will repair or replace the defective parts. Küat may choose in some cases to offer the owner a refund of up to the original purchase price of the product in lieu of repairing or replacing the product.

The Küat warranty does not cover any conditions that are beyond Küat's control. This includes, but is not limited to, the following: excessive loading, improper assembly, improper installation, theft, or any use that is not consistent with the user guide that is included with the product.

The Küat Warranty does not cover normal wear and tear, scratches, cosmetic oxidation, accidents, or damage due to unauthorized repairs or modifications.

If you are the original owner of a defective Küat product, please contact Küat at 1(877)822-5828. A Küat representative will work to quickly resolve the problem. If repairs are necessary, the owner will be responsible for the cost of returning the product to Küat for repair. No product should be returned to Küat without prior authorization from Küat staff.

LIMIT OF LIABILITY

THIS WARRANTY ONLY COVERS REPAIR, REPLACEMENT OR REFUND FOR THE COVERED KÜAT PRODUCT. ANY DAMAGE TO VEHICLE OR PROPERTY IS NOT COVERED BY THIS WARRANTY. PERSONAL INJURY IS NOT COVERED BY THIS WARRANTY.

LIMITATION OR EXCLUSION OF INCIDENTAL DAMAGE IS NOT ALLOWED IN ALL STATES SO THE ABOVE LIMITATIONS MAY NOT APPLY.

Küat respeta la garantía de todos los portabicicletas Küat mientras el comprador original sea el propietario de dicho producto. Si el comprador original vende o de alguna otra manera cede el producto a otra persona, la garantía será revocada.

Si un portabicicletas Küat que esté cubierto por los términos de esta garantía está defectuoso, Küat reparará o reemplazará las partes defectuosas a su propio criterio. Küat puede optar en algunos casos por ofrecer el reembolso del precio de compra del producto en lugar de repararlo o de reemplazar las piezas defectuosas.

La garantía Küat no cubre ninguna condición que esté más allá del control de Küat. Esto incluye, más no limita, carga excesiva, ensamblaje impropio, montaje impropio, robo o cualquier uso que no sea consistente con las instrucciones que están incluidas con el producto o que están disponibles para el usuario.

La garantía Küat no cubre el uso y desgaste natural, raspaduras, oxidación cosmética, accidentes, operación ilegal del vehículo o modificaciones o reparaciones no autorizadas.

Si usted es el propietario original de un producto Küat defectuoso, por favor contacte a Küat al 1(877) 822-5828. Un representante de Küat le atenderá para resolver su problema. Si son necesarias reparaciones, el propietario será responsable por el costo del envío del producto a Küat para su reparación. Ningún producto deberá ser enviado a Küat sin previa autorización de un agente de Küat.

LIMITE DE RESPONSABILIDAD

ESTA GARANTIA SOLO CUBRE REPARACIONES, REEMPLAZOS O REEMBOLSOS PARA EL PRODUCTO DE KÜAT CUBIERTO. CUALQUIER DAÑO AL VEHICULO O PROPIEDAD O LESION NO ESTA CUBIERTA POR ESTA GARANTIA.

LIMITANTES O EXCLUSIONES DE DAÑO ACCIDENTAL NO ESTAN PERMITIDAS EN TODOS LOS ESTADOS, POR LO TANTO ESTAS LIMITANTES PODRIAN NO APLICAR.

Küat honore la garantie de toute sa gamme du support de la marque Küat tant qu'il demeure la propriété du propriétaire original. La garantie prend fin lorsque le propriétaire original se départit du produit en le vendant ou en le transférant à une autre personne.

Si un article Küat fait défaut alors qu'il est sous garantie, Küat réparera ou remplacera, à sa discrétion, la ou les pièces défectueuses. Küat pourrait choisir dans certains cas d'offrir un remboursement du prix à l'achat au lieu de réparer ou de remplacer la pièce défectueuse.

La garantie Küat ne couvre pas les conditions hors du control de Küat. Celles-ci incluent mais ne sont pas limitées à un chargement excessive, un assemblage erroné, un mauvais montage, le vol ou tout usage qui n'est pas conforme aux instructions (incluses avec le produit) accessibles à l'utilisateur.

La garantie Küat ne couvre pas l'usure normale, les égratignures, l'oxydation, les accidents, l'usage illégal d'un véhicule ou les réparations ou modifications non-autorisées.

Si vous êtes le propriétaire original d'un produit Küat défectueux, prière de contacter Küat au 1-877-822-5828.

Un représentant Küat travaillera à la résolution du problème. Si des réparations sont nécessaires, l'acheteur doit assumer les frais d'envoi pour faire parvenir le produit Küat à l'entreprise. Ne retourner pas un produit Küat tant que vous n'obtenez pas l'autorisation d'un représentant de Küat.

LIMITE DE RESPONSABILITÉS

LA GARANTIE COUVRE SEULEMENT LA RÉPARATION , LE REMPLACEMENT OU LE REMBOURSEMENT D'UN PRODUIT KÜAT SOUS GARANTIE. LA GARANTIE NE COUVRE PAS LES DOMMAGES AU VÉHICULE, LES DOMMAGES À LA PROPRIÉTÉ NI LES BLESSURES.

LES RESTRICTIONS OU LES EXCLUSIONS CONCERNANT LES DOMMAGES ACCIDENTELLES NE SONT PAS ADMISES DANS TOUS LES ÉTATS OU CES RESTRICTIONS PEUVENT NE PAS S'APPLIQUER.

