

2-Way Power Divider - 0°

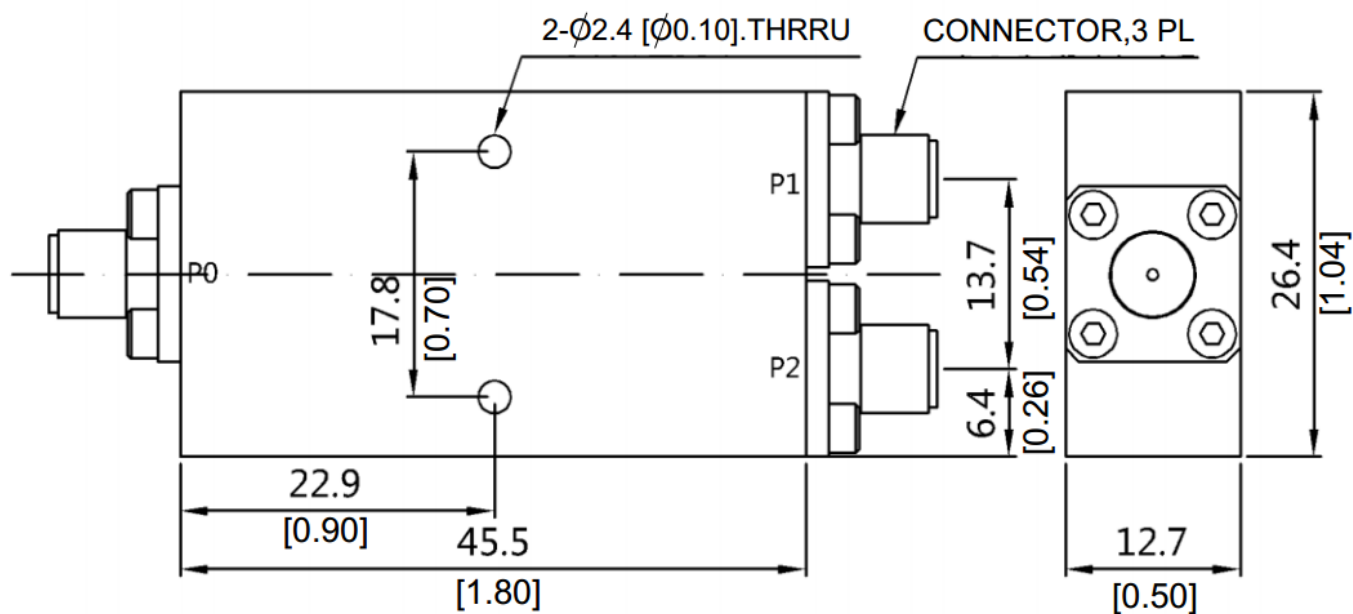
Model PD20400A2K

Specifications.

Frequency Range	2.0~40GHz	Finish	Epoxy Paint
Insertion Loss	≤1.8dB (Above 3.0dB Split)	Connector Body	Passivated Stainless Steel
VSWR	Input ≤1.30:1 Output ≤1.25:1	Housing	Aluminum, 6061 T6 Clear Chem Conversion Film
Isolation	≥18dB	Connector Pin	Stainless Steel SMA-Female
Amplitude Balance	≤±0.3dB	Solder	Lead Free, RoHS Compliant
Phase Balance	≤±4.0°	Operating Temperature	-45°C~+85°C
¹Power Handling	Forward ≤20 Watt; Reversed ≤1 Watt	Operating Humidity	Up to 95%,Non- Condensing
Impedance	50Ω	Weight	100g
Port Connectors	SMA-Female		

¹Power Handling guaranteed when load's VSWR within 1.60:1.

Mechanical Outline.



*Units in m"m

Tolerance: ± 0.2 mm

