

## 2-Way Power Divider - 0°

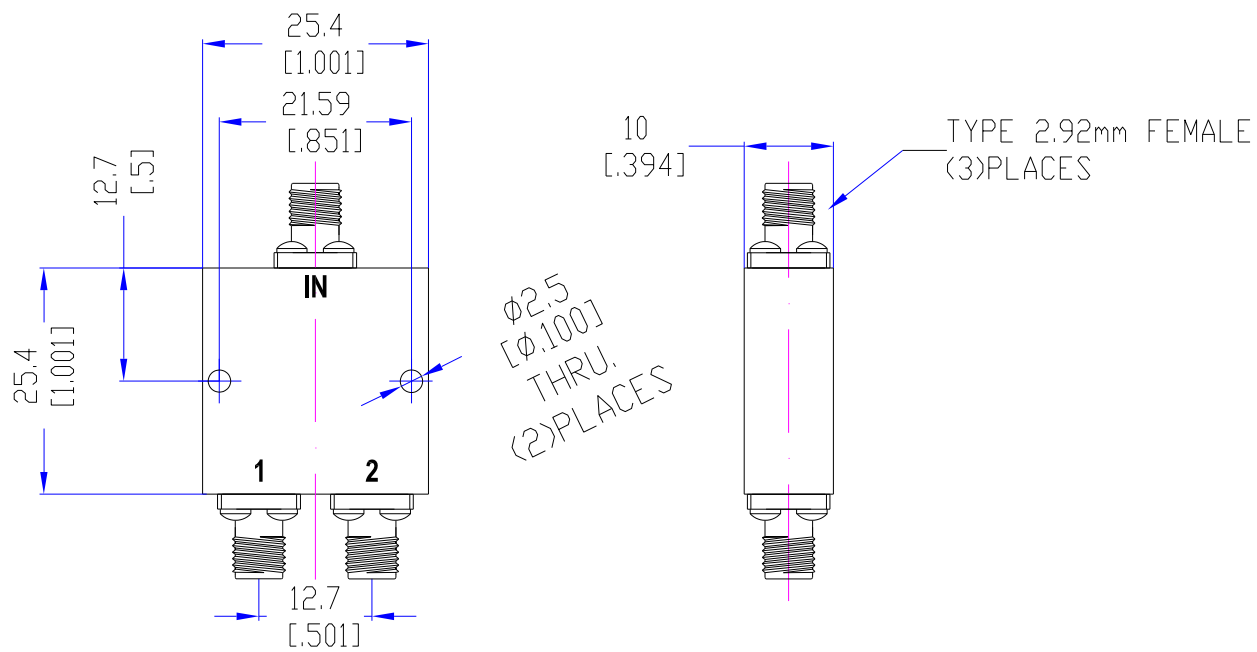
## Model PD100400A2A

### Specifications.

<b>Frequency Range</b>	10~40GHz	<b>Finish</b>	Painted Blue_ RAL #5007
<b>Insertion Loss</b>	≤1.6dB (Above 3.01dB Split)	<b>Connector Body</b>	Passivated Stainless Steel
<b>VSWR</b>	Input ≤1.60:1 Output ≤1.60:1	<b>Housing</b>	Aluminum, 6061 T6 Clear Chem Conversion Film
<b>Isolation</b>	≥14dB	<b>Connector Pin</b>	Beryllium Copper, Gold Plate
<b>Amplitude Balance</b>	≤±0.5dB	<b>Solder</b>	Lead Free, RoHS Compliant
<b>Phase Balance</b>	≤±5°	<b>Operating Temperature</b>	-55°C~+85°C
<b><sup>1</sup>Power Handling</b>	Forward ≤10Watt; Reversed ≤1 Watt	<b>Operating Humidity</b>	Up to 95%,Non- Condensing
<b>Impedance</b>	50Ω	<b>Weight</b>	
<b>Port Connectors</b>	2.92-Female		

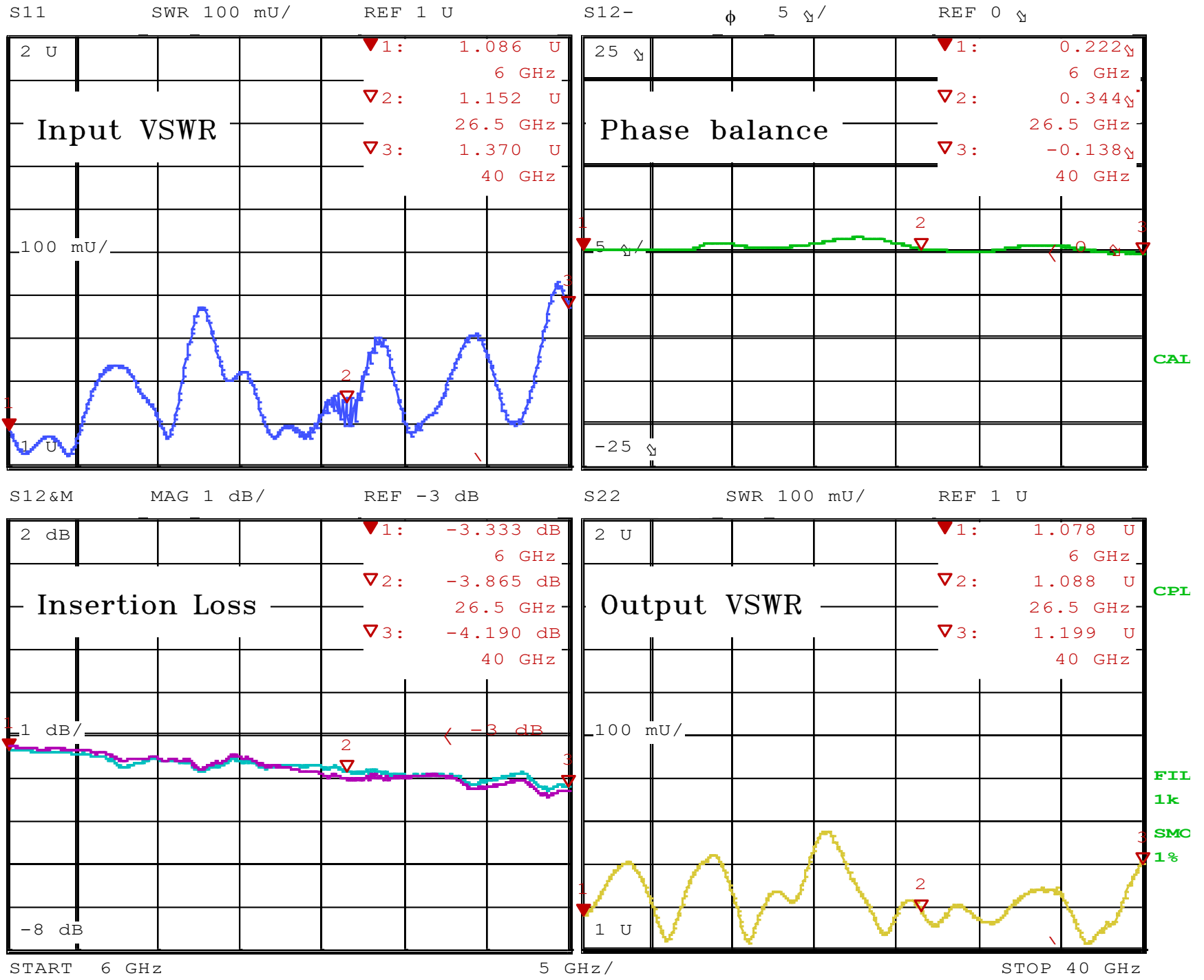
<sup>1</sup>Power Handling guaranteed when load's VSWR within 1.50:1.

### Mechanical Outline.



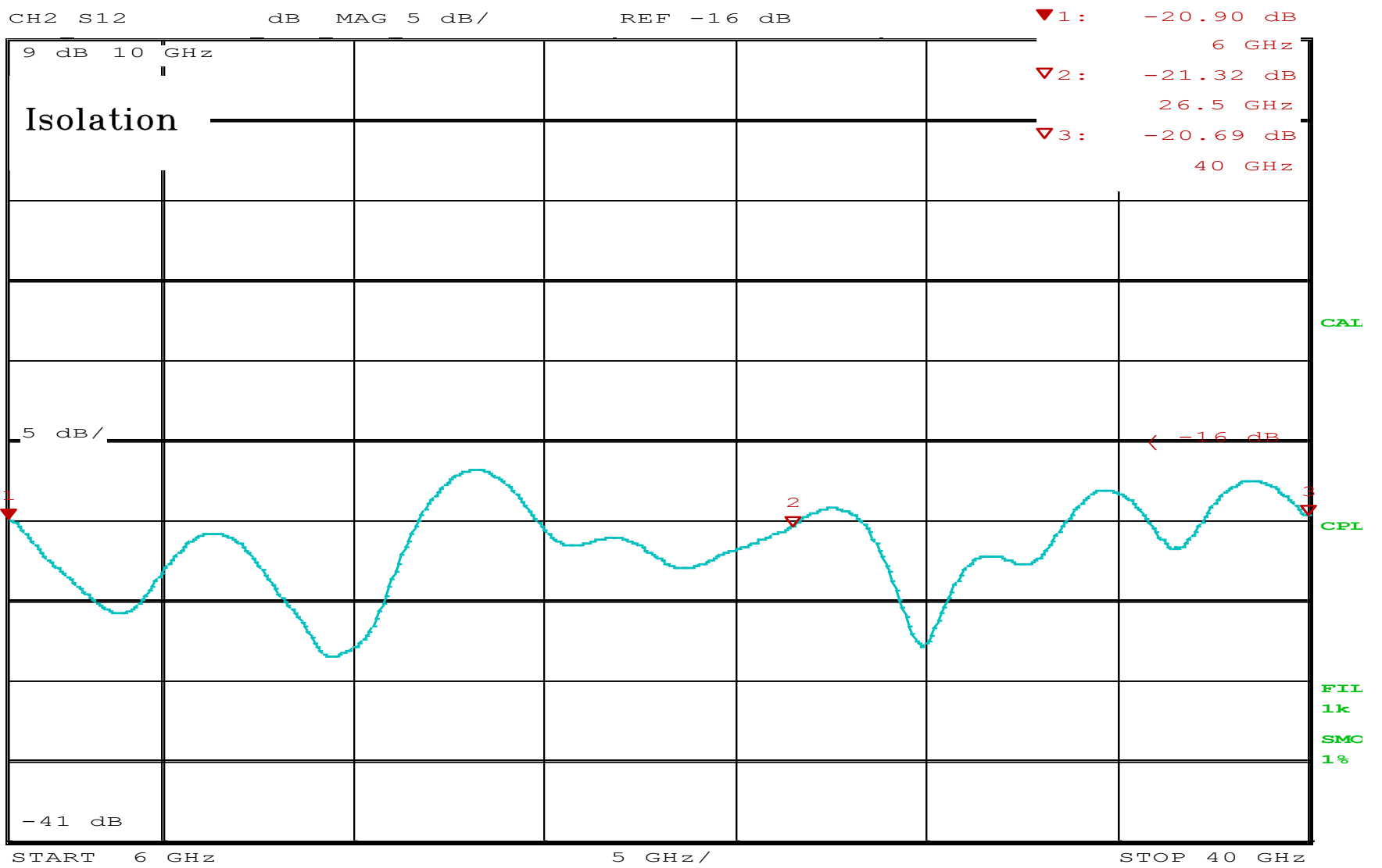
## Typical Performance

### 1. Insertion Loss, Amplitude & Phase Balance, VSWR



Date: 15.MAY.19 18:33:14

## 2. Isolation



Date: 15.MAY.19 18:32:38