

8-Way Power Divider - 0°

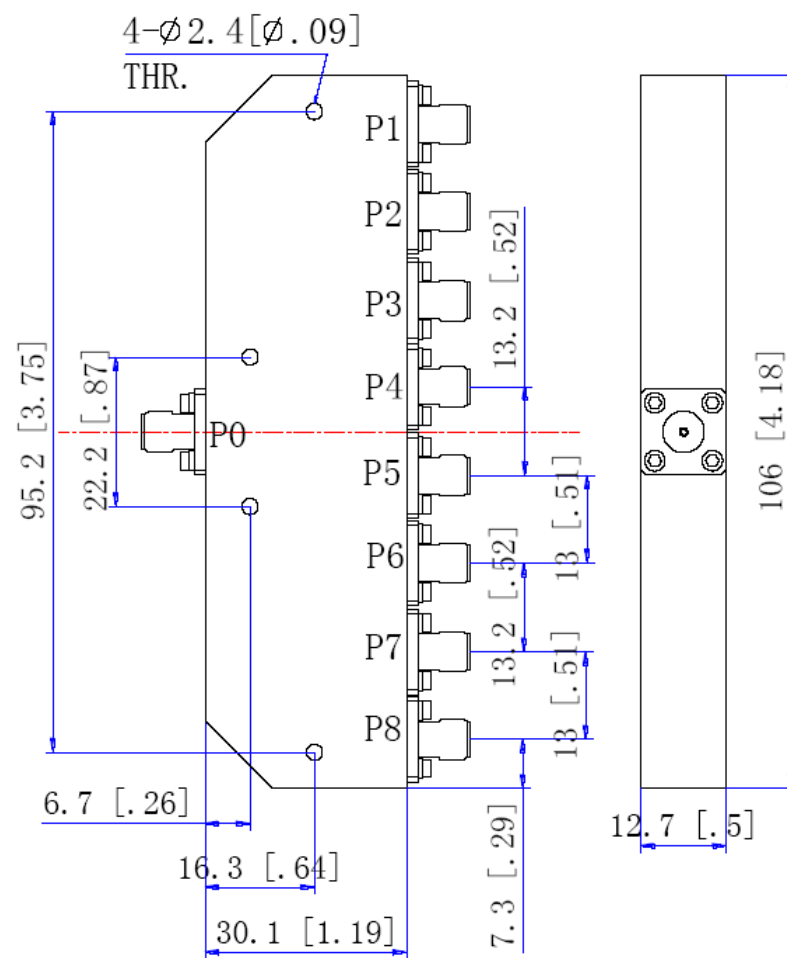
Model PD180400A8S

Specifications.

Frequency Range	18~40GHz	Finish	Epoxy Paint
Insertion Loss	≤3.2dB (Above 9dB Split)	Connector Body	Passivated Stainless Steel
VSWR	Input ≤1.70:1 Output ≤1.70:1	Housing	Aluminum, 6061 T6 Clear Chem Conversion Film
Isolation	≥18dB	Connector Pin	2.92-Female
Amplitude Balance	≤±0.6dB	Solder	Lead Free, RoHS Compliant
Phase Balance	≤±6.0°	Operating Temperature	-35°C~+105°C
¹Power Handling	Forward ≤20 Watt; Reversed ≤3 K Watt	Operating Humidity	Up to 95%,Non- Condensing
Impedance	50Ω	Weight	100g
Port Connectors	2.92-Female		

¹Power Handling guaranteed when load's VSWR within 1.60:1.

Mechanical Outline.



*Units in m'm

Tolerance: ± 0.2 mm