



FRAMELESS GLASS BALUSTRADES

WHY NEXT LEVEL?

Choosing your safety barrier or balustrading from Next Level is choice that is done with complete peace of mind. We ensure that our range of products are of the best engineered quality and that all regulations are adhered to without compromising your projects quality and most importantly safety.

With over 17 years of experience, we have trialed and tested various products rigorously, leading us to German engineered perfection. Accredited to International standards, we can assure you that every product is of the finest quality which you can rely on time and time again.

Next Level is setting a National Standard in South Africa and has unparalleled support Internationally which will ensure that we grow from strength to strength locally, to the African Continent and eventually leading the way forward on a Global platform.

OUR PRODUCTS

Next Level supply Internationally manufactured innovative glass balustrading systems and architectural hardware providing you a full turn-key solution for all your Balustrading needs. We specialize in the Specification and design of Safety Balustrading systems keeping in mind aesthetics and prioritizing safety. A full listing of our products can be found via our website.

OUR PROMISE

At Next Level, we strive to supply the Specification and Building Industry with a quality product that is not only aesthetically pleasing but has surpassed various testing to ensure that safety is not compromised at all. Continuous research and development as well as added attention to detail we at Next Level are committed to maintaining a New Age and High-End product which has proven to be more effective than other similar product in the market place today!

ENQUIRE ON HOW WE CAN ASSIST YOU WITH YOUR PROJECT IN MAKING YOUR SUPERIOR GLASS SAFETY BARRIER AN EVER-LASTING ONE!

TEL: +27 (0) 768 344 157

EMAIL: MARIUS@NEXTLEVELZA.COM

WEB: WWW.NEXTLEVELZA.COM

WELCOME TO THE PREMIUM BRAND IN RAILING SYSTEMS

We will not rest until we have achieved the perfection you expect.

PREMIUM IN EVERY WAY

Nothing but the best

- Highest quality
- High-grade materials
- Flawless surface finishes
- Highly accurate dimensions and minimal tolerances

Unbelievably quick

- Extensive worldwide stock at branch and at Head Office
- Rapid delivery
- Detailed and personal technical advice

Options for every situation

- Huge range of products
- Countless different design styles
- Everything you need to create a complete railing or handrail
- Mix and match to achieve a custom design

100% safe

- Thorough internal testing procedures
- Extensive testing carried out by certified independent testing institutions and leading authorities
- Testing procedures and official approvals that comply with the main international building codes and standards

Beauty and brains

- Many innovations and product improvements every year
- Visual designs to suit every taste
- Features that make for quick and easy mounting

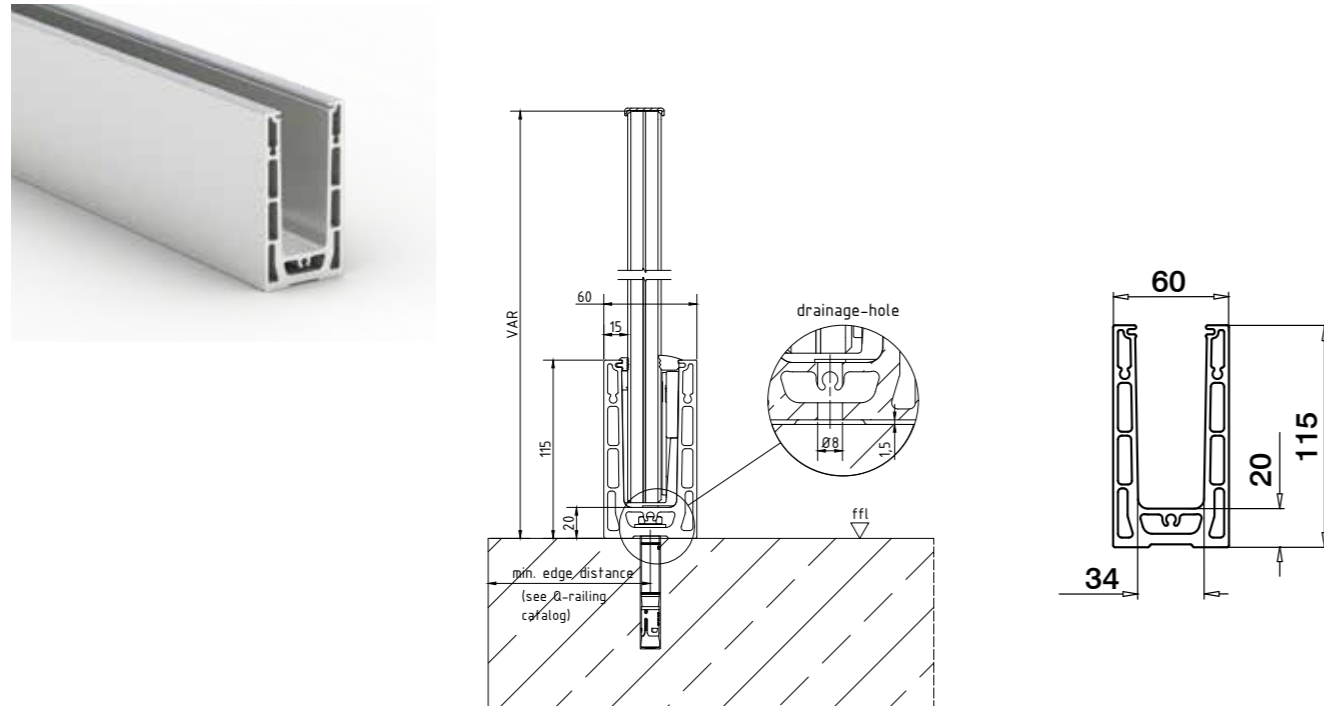
Online resources : www.q-railing.com

- Assembly videos, BIM objects, CAD drawings and other technical specifications
- Q-PAC (Professional Anchor Calculation) software that lets you easily identify the correct Q-railing anchor
- Catalogues, brochures, reference projects and more



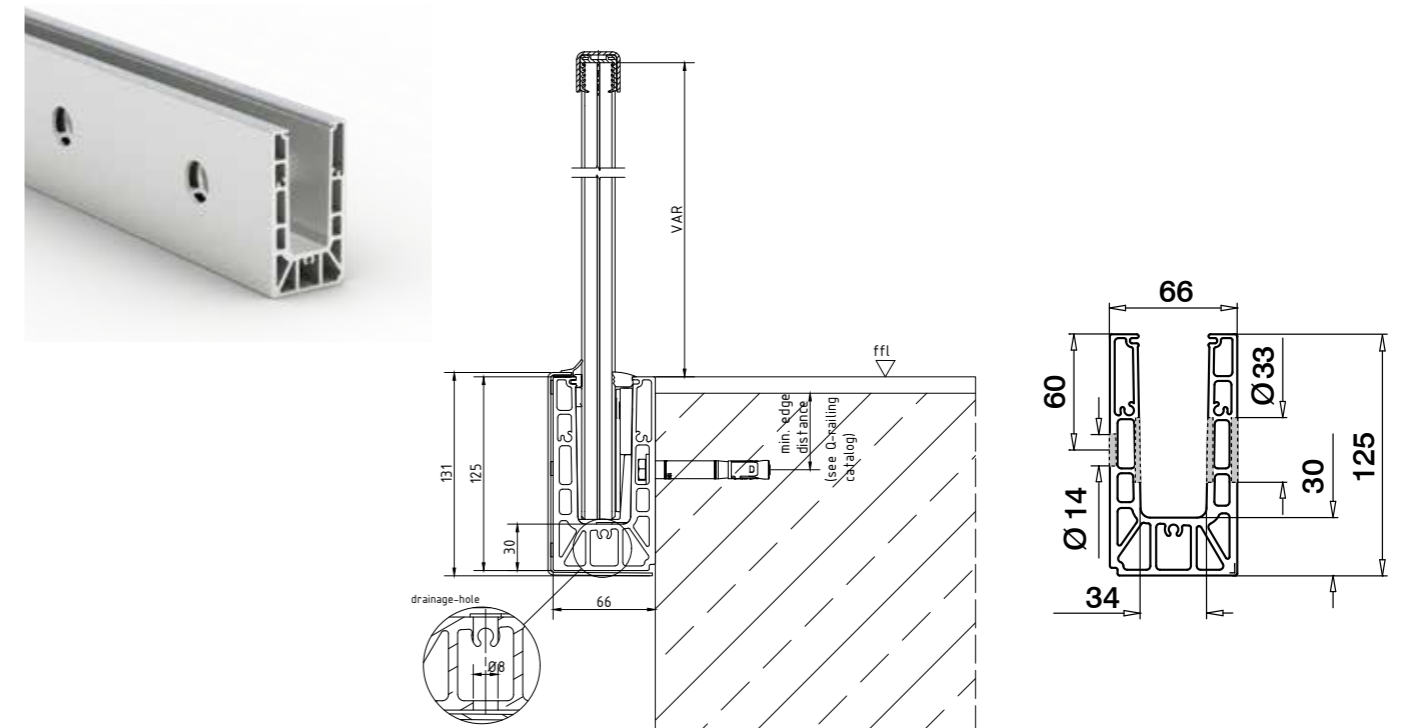
GLASS BALUSTRADE SOLUTIONS

Easy Glass® Smart, Top mount, MOD 8210
0.74 kN/m (according to BS6180)

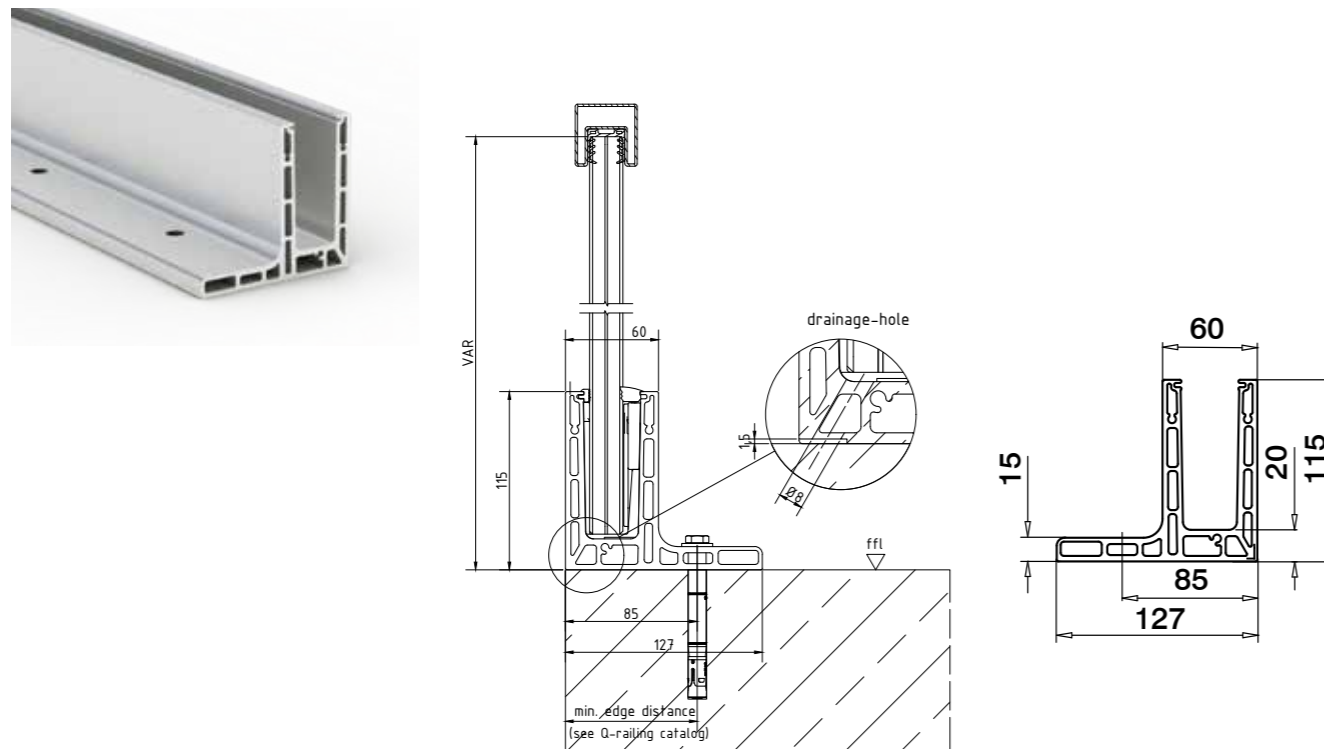


GLASS BALUSTRADE SOLUTIONS

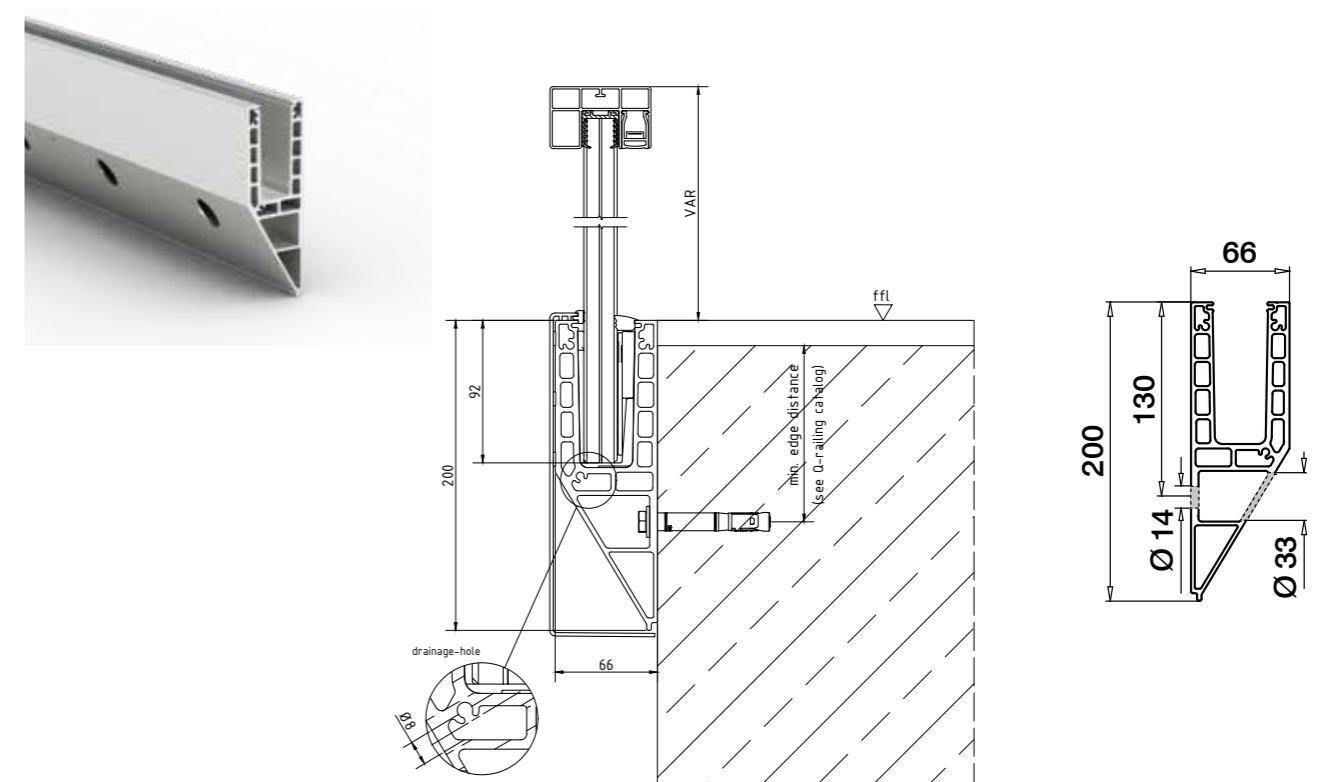
Easy Glass® Smart, Fascia mount, MOD 8230
0.74 kN/m (according to BS6180)



Easy Glass® Smart, Top mount F, MOD 8220
0.74 kN/m (according to BS6180)

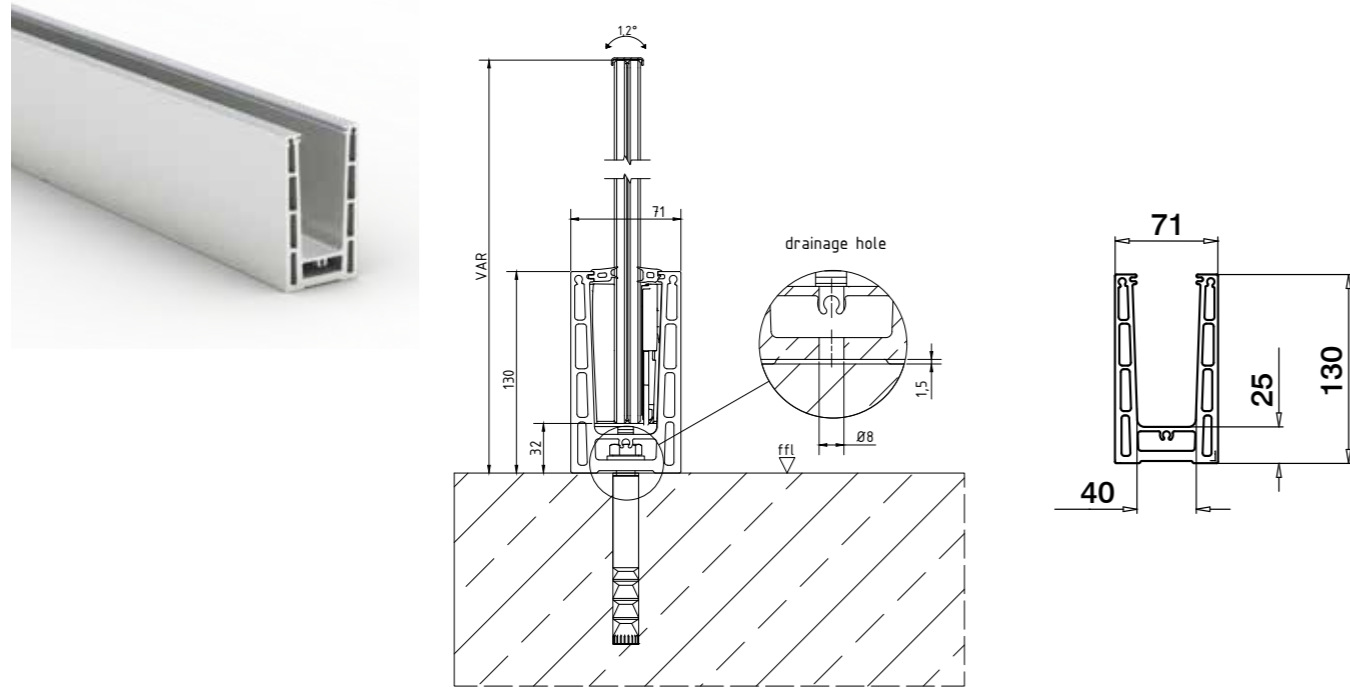


Easy Glass® Smart, Fascia mount Y, MOD 8240
0.74 kN/m (according to BS6180)



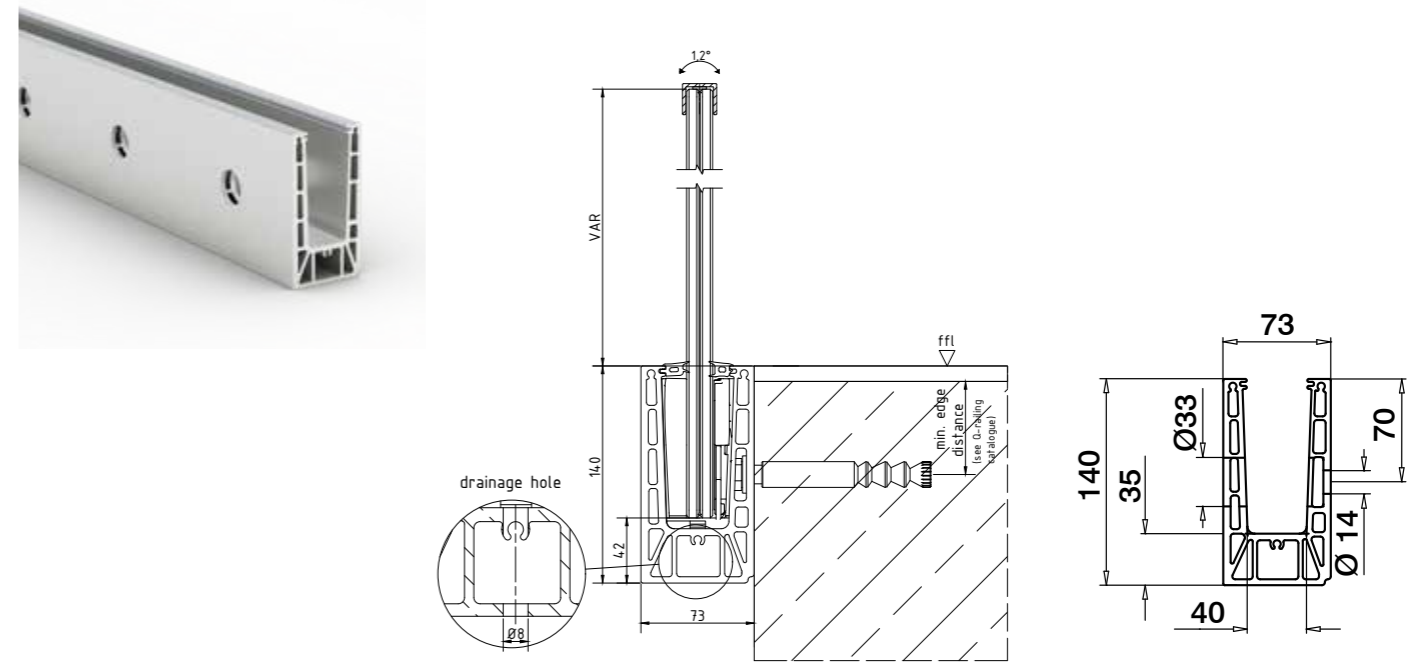
GLASS BALUSTRADE SOLUTIONS

Easy Glass® Prime, Top mount, MOD 8410
1.5 kN/m (according to BS6180)

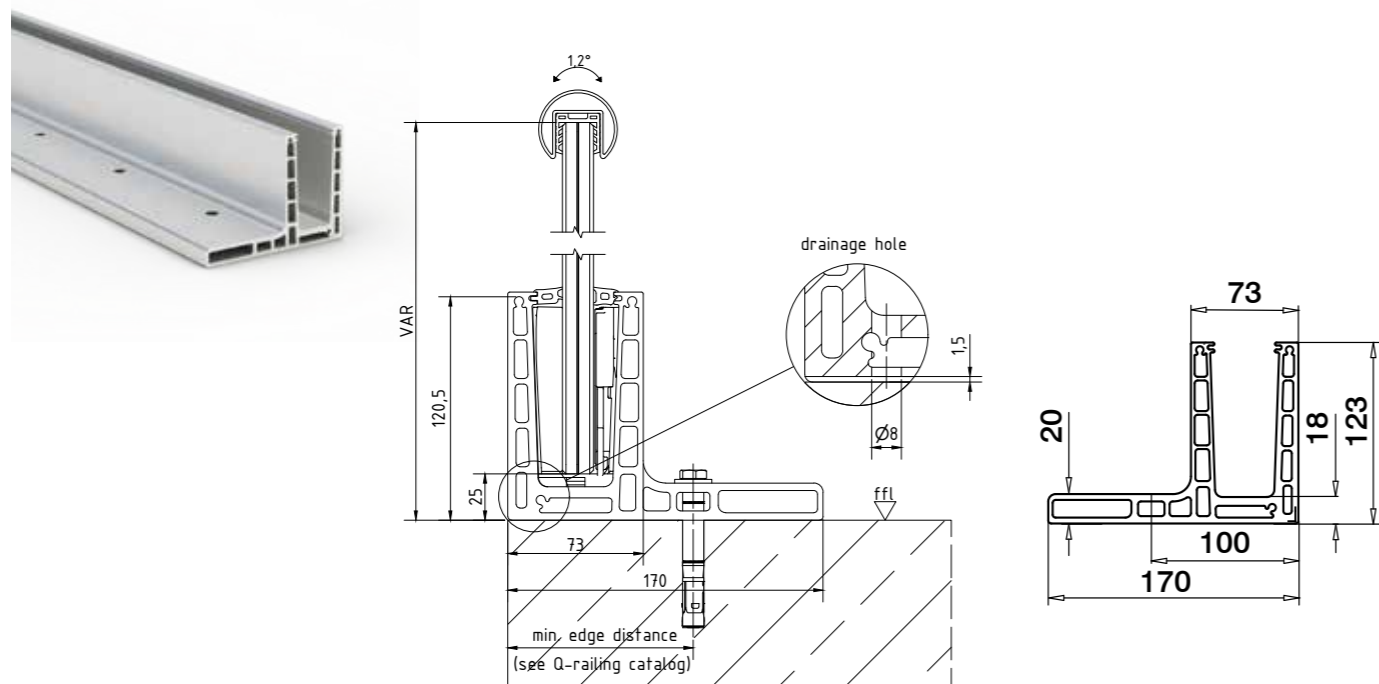


GLASS BALUSTRADE SOLUTIONS

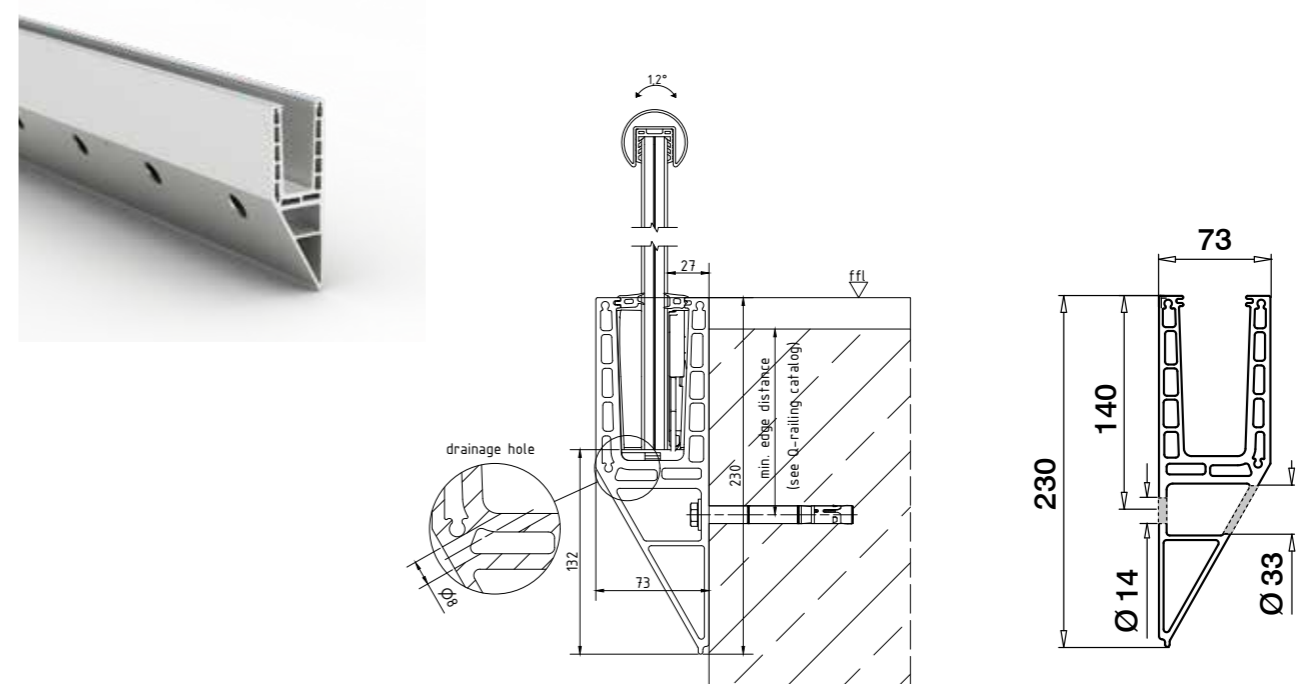
Easy Glass® Prime, Fascia mount, MOD 8430
1.5 kN/m (according to BS6180)



Easy Glass® Prime, Top mount F, MOD 8420
1.5 kN/m (according to BS6180)



Easy Glass® Prime, Fascia mount Y, MOD 8440
1.5 kN/m (according to BS6180)





Q-disc® System Slide and align



The revolutionary Q-disc System allows the glass panels to be aligned and fixed into the base channels in just a few simple steps. The complete glass installation can be carried out from the inside.



reddot winner 2020
innovative product



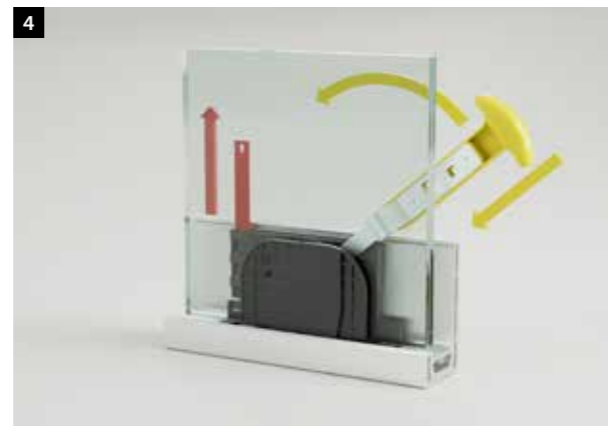
1 Put the inlay in the base channel.



2 Position the glass panel.



3 Insert the Q-disc in the inlay.



4 Connect the tool to the Q-disc and turn it clockwise to secure the glass.



5 Check whether individual glass panels are in need of alignment.



6 For any panel needing alignment, turn the Q-disc counterclockwise.



7 To adjust the angle, use the tool and slide the inlay to the left or right.



8 Re-secure the Q-disc. Check the manual for the setting of the wrench.

Drainage

The glass railing base channels are designed for indoor and outdoor use. However, due to the installation, the base channels are not watertight. Condensation, rain and moisture must be drained.

In addition to the mounting holes, all channels are factory-drilled with drainage holes. These are located every 700 mm and allow water to drain to the front. It is therefore important that these holes are not sealed or glued.

The joints are also not watertight. This is due to the physical properties of the base channels, which expand and contract depending on the temperature. The drainage of water must therefore be planned to prevent damage to the facade. You will find suitable drainage profiles, claddings and trims in our range.



Next Level has gone through the balustrade codes and simplified it for you

Balustrades and handrails are important structural components, critical to the safety of a building's users. Because of their aesthetic value, this is mostly overlooked in the building industry. Balustrades are a safety barrier to prevent a person from falling from a height. All our balustrade designs fully comply with SANS 10400 (architectural), 10160 (structural design), SANS 10137 (glass) and 10104 (handrailing and balustrade).

For the sake of public safety we would like to bring the following to your attention:

SANS 10104

Handrailing and balustrading shall be designed and installed that safely supports all loads to which it is likely to be subject to during service.

- The height of the balustrade shall not be less than 1000 mm from finish floor level.

- If balustrades are on a upstand, balustrades must be no more than 120 mm from edge. If it's more than 120 mm that will be the finish floor level.
- Swimmingpool enclosures, balustrades may not be less than 1200 mm.
- Balustrades must be fitted where the drop exceeds more than 800 mm.
- In public places, the gap must not exceed 100 mm.
- Balustrades must undergo human impact testing to ensure their compliance (SANS10160).
- Balustrades must be capable of withstanding a 0.5 kN point load, which is similar to a person falling onto the balustrade.
- All balustrades must be designed to comply with the relevant occupation categories as outlined in SANS10160 e.g. 0.5 kN/m, 1 kN/m, 1.5 kN/m, 3 kN/m.
- Balustrades must withstand 400J impact. For balustrades on stairs it is reduced to 200J where the approach distance is less than 1.5 m.
- Balustrades may be shorter (min. 800 mm) if in front of public seating in rows.
- Glass should be compliant with SANS 0137. Glass in balustrades shall be toughened safety glass, unless rigidly supported on all sides.
- All frameless glass balustrades require a minimum of 12 mm and possibly up to 21 mm thick toughened safety glass dependent on occupancy classification.

The impact testing and proper design loads can only be determined by an engineer, and that is why an Engineer Compliance Certificate is required.

This is just a short summary of the code. Please contact us or AAAASA (The Association of Architectural Aluminium Manufacturers of South Africa) for full details.





MARINUS RD, UNIT 12
BEACON BUSINESS PARK
MILNERTON
7441 CAPE TOWN

+27 67 735 1874 - OFFICE

INFO@NEXTLEVELZA.COM