



2MP IP COLOR BOX CAMERA

IPRGMCB200-Q2SDW

High Quality CCTV Solutions

- ✓ Image Sensor: 1/2.8" Progressive ScanCMOS Sensor
- ✓ Min. Illumination: Color: 0.005Lux @ (F1.2,AGC ON), B/W:0.007 Lux @ (F1.2,AGC ON)
- ✓ Day & Night Function
- ✓ Wide Dynamic Range (WDR): ≥ 120 dB
- ✓ Dual Stream
- ✓ Back Light Compensation



Day/ Night Function

ONVIF 2.4 Compatible

Wide Dynamic Range

POE

Internal POE



WDR



H.264/H.264+
H.265/H.265+

- ✓ Digital Noise Reduction: 3DNR
- ✓ Video Compression: H.265/H.264/MPEG4/MJPEG
- ✓ Audio Compression: G.711/G.722.1/G.726/MP2L2



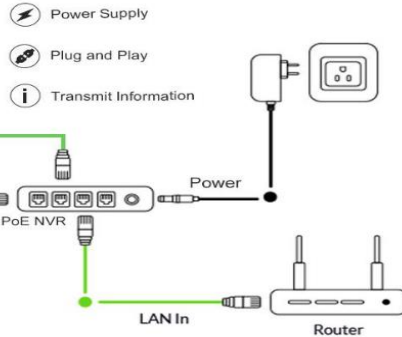
RGM Digital

No. 100, Section 1, Taiwan Boulevard, Central District, Taichung City, Taiwan
Tel. No.: 886-4-2561-2199
Homepage: www.rgm-digital.com
sales@rgm-digital.com



Plug and play

Internal POE



TECHNICAL SPECIFICATION

CAMERA	RGMCB200-Q2SDW
Image Sensor	1/2.8" Progressive ScanCMOS Sensor
Chip	Hi3516D+Sony IMX327
Resolution	1920 x 1080
Compression	H.265/H.264/MPEG4/MJPEG
Day & Night	Yes
TV System	PAL/NTSC
Shutter Time	1/25sec to 1/10000sec
Minimum Illumination	Color: 0.005Lux@(F1.2,AGC ON), B/W:0.007 Lux@(F1.2,AGC ON)
Wide Dynamic Range	≥120dB
Digital Noise Reduction	3D DNR
Video Bit Rate	32Kbps~16Mbps, support CBR/VBR
Audio Compression	G.711/G.722.1/G.726/MP2L2
Dual Streams	Yes
Main Video Stream	MainStream:1920*1080@1-25(30)fps, 1280*720@1-25(30)fps
Sub Video Stream	Sub stream:704*576@1-25(30)fps, 640*480@1-25(30)fps,640*352@1-25(30)fps,320*240@1-25(30)fps
Image Settings	Rotate mode, Saturation, Brightness, Contrast adjustable by client software or web browser
Character Overlap	Support
LENS	
Focus Length	5-50mm manual lens (Auto IRIS)
Focus Control	Manual
Lens Type	Auto IRIS
Pixels	2MP
NETWORK	
Ethernet	RJ-45 (10/100Base-T)
Protocol	TCP/IP、UDP、RTP、RTSP、RTCP、HTTP、DNS、DDNS、DHCP、FTP、NTP、PPPOE、SMTP、UPNP
ONVIF	Support ONVIF 2.4
POE	Optional, Support IEEE 802.3af
IE Brower	FTP, E-mail, IE Browser, CMS
GENERAL	
On-board Storage	Built-in Micro SD/SDHC/SDXC slot, up to 128 GB(Optional)
CVBS Output	Customized
Operating Conditions	-10 °C ~ 60 °C (-22 °F ~ 140 °F), Humidity 95% or less (non-condensing)
Power Supply	12VDC,±10%, PoE (Power over Ethernet)
Power Consumption	Max. 10W