

# 4MP IP COLOR FIXED DOME CAMERA IPRGMSU20HS500

- ✓ Day/ Night
- ✓ Motion Detection
- ✓ Corridor Pattern
- ✓ WDR 120dB
- ✓ Privacy Masking
- ✓ AI Function
- ✓ Defog Mode
- ✓ BLC
- ✓ ROI

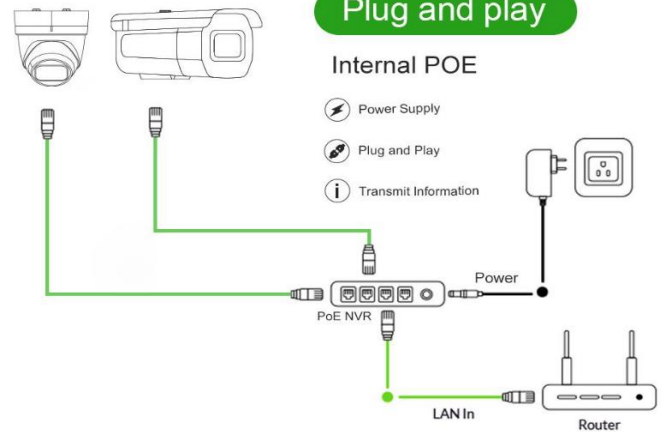


- Image Sensor: 1/2.8" SONY Starvis Back-Illuminated CMOS Sensor
- Protocol: TCP/IP, ICMP, HTTP, HTTPS, FTP, DHCP, DNS, DDNS, RTP, RTSP, RTCP, PPPoE, NTP, UPnP, SMTP, UDP
- Resolution: 4MP
- TV System: PAL/NTSC
- Infrared Distance: 25m



**RGM Digital**

No. 100, Section 1, Taiwan Boulevard, Central District, Taichung City, Taiwan  
Tel. No.: 886-4-2561-2199  
Homepage: [www.rgm-digital.com](http://www.rgm-digital.com)  
[sales@rgm-digital.com](mailto:sales@rgm-digital.com)



## TECHNICAL SPECIFICATION

CAMERA		IPRGMSU20HS500	
Image Sensor	1/2.8" SONY Starvis Back-illuminated CMOS Sensor		
Resolution	4MP		
Effective Pixels	2616 (H) x 1964 (V)		
Compression	H.264/H.264+/H.265/H.265+/JPEG/AVI /MJPEG		
TV System	PAL/NTSC		
Electronic Shutter Time	Auto: PAL 1/25-1/10000Sec; NTSC 1/30-1/10000Sec		
Minimum Illumination	0.01Lux		
S/N Ratio	≥52dB		
Scanning System	Progressive		
Video Output	Network		
Day/ Night	Color/ B&W (IR-CUT )		
AI Function	Face Detection, Intrusion Detetion, Line Cross Detetion, Loiter Detetion, People Gather Detecion		
LENS			
Focus Length	3.6mm		
Focus Control	Fixed		
Lens Type	Fixed		
Pixels	4MP		
NIGHT VISION			
Infrared LED	42μ x 2PCS		
Infrared Distance	25M		
IR Status	Auto Control		
IR Power On	Smart, Manual & Timed mode		
NETWORK			
Ethernet	RJ-45 (10/100Base-T)		
Protocol	TCP/IP, ICMP, HTTP, HTTPS, FTP, DHCP, DNS, DDNS, RTP, RTSP, RTCP ,PPPoE, NTP, UPnP, SMTP, UDP		
ONVIF	Support ONVIF 2.4(Profile S/T/G)		
P2P	YES, Support QR Code		
POE	Optional, Support IEEE 802.3af		
Video Delay	0.3S (Within the Lan)		
Main Stream 1,2,3	2592*1944@30fp, 2560*1440@30fp, 1920*1080@30fps/ 1280*720@30fps		
Sub Stream 1, 2	1280*720@30fps/ 720*480@30fps, 352*288@30fps		
Tri Stream	1280*720@30fps, 720*480@30fps, 352*288@30fps		
IE Brower	IE8-11, Google Chrome, Firefox , Mac Safari		
GENERAL			
Housing	IP67		
IR Cut Filter	YES		
Operation Temperature	-20℃ ~ +60℃ RH95% Max		
Power Source	DC12V±10%,700mA		
Dimension/ Weight	∅ 136 x 148 (H) mm, 1.7Kgs		