



4MP IP COLOR BULLET CAMERA IPRGMTA605XHS500

- ✓ Day/ Night
- ✓ Motion Detection
- ✓ Corridor Pattern
- ✓ WDR 120dB
- ✓ Privacy Masking
- ✓ AI Function
- ✓ Defog Mode
- ✓ ROI
- ✓ BLC

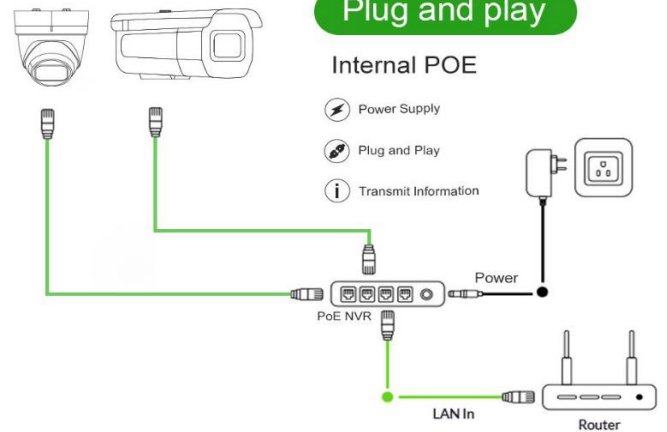


- Image Sensor: 1/2.8" SONY Starvis Back-Illuminated CMOS Sensor
- Protocol: TCP/IP, ICMP, HTTP, HTTPS, FTP, DHCP, DNS, DDNS, RTP, RTSP, RTCP, PPPoE, NTP, UPnP, SMTP, UDP
- Resolution: 4MP
- TV System: PAL/NTSC
- Infrared Distance: 60m



RGM Digital

No. 100, Section 1, Taiwan Boulevard, Central District, Taichung City, Taiwan
Tel. No.: 886-4-2561-2199
Homepage: www.rgm-digital.com
sales@rgm-digital.com



TECHNICAL SPECIFICATION

CAMERA		IPRGTA605XHS500	
Image Sensor	1/2.8" SONY Starvis Back-illuminated CMOS Sensor		
Resolution	4MP		
Effective Pixels	2616 (H) x 1964 (V)		
Compression	H.264/H.264+/H.265/H.265+/JPEG/AVI /MJPEG		
TV System	PAL/NTSC		
Electronic Shutter Time	Auto: PAL 1/25-1/10000Sec; NTSC 1/30-1/10000Sec		
Minimum Illumination	0.01Lux		
S/N Ratio	≥52dB		
Scanning System	Progressive		
Video Output	Network		
Day/ Night	Color/ B&W (IR-CUT)		
LENS			
Focus Length	2.7-13.5mm Motor Zoom		
Focus Control	Auto		
Lens Type	Auto		
Pixels	4MP		
NIGHT VISION			
Infrared LED	42μ x 6PCS		
Infrared Distance	60M		
IR Status	Auto Control		
IR Power On	Smart, Manual & Timed mode		
NETWORK			
Ethernet	RJ-45 (10/100Base-T)		
Protocol	TCP/IP,ICMP,HTTP,HTTPS,FTP,DHCP,DNS,DDNS,RTP,RTSP,RTCP,NTP,SMTP, UDP		
ONVIF	Support ONVIF 2.4(Profile S/T/G)		
P2P	YES, Support QR Code		
POE	Optional/ Internal, Support IEEE 802.3af		
Video Delay	0.3S (Within the Lan)		
Main Stream 1,2,3	2592*1944@30fp, 2560*1440@30fp, 1920*1080@30fps/ 1280*720@30fps		
Sub Stream 1, 2	1280*720@30fps/ 720*480@30fps, 352*288@30fps		
Tri Stream	1280*720@30fps, 720*480@30fps, 352*288@30fps		
IE Brower	IE8-11, Google Chrome, Firefox , Mac Safari		
GENERAL			
Housing	IP67		
IR Cut Filter	YES		
Operation Temperature	-20℃ ~ +60℃ RH95% Max		
Power Source	DC12V±10%,1100mA		
Dimension/ Weight	220(W) x 109(H) x 106(D) mm/ 2.15Kgs		