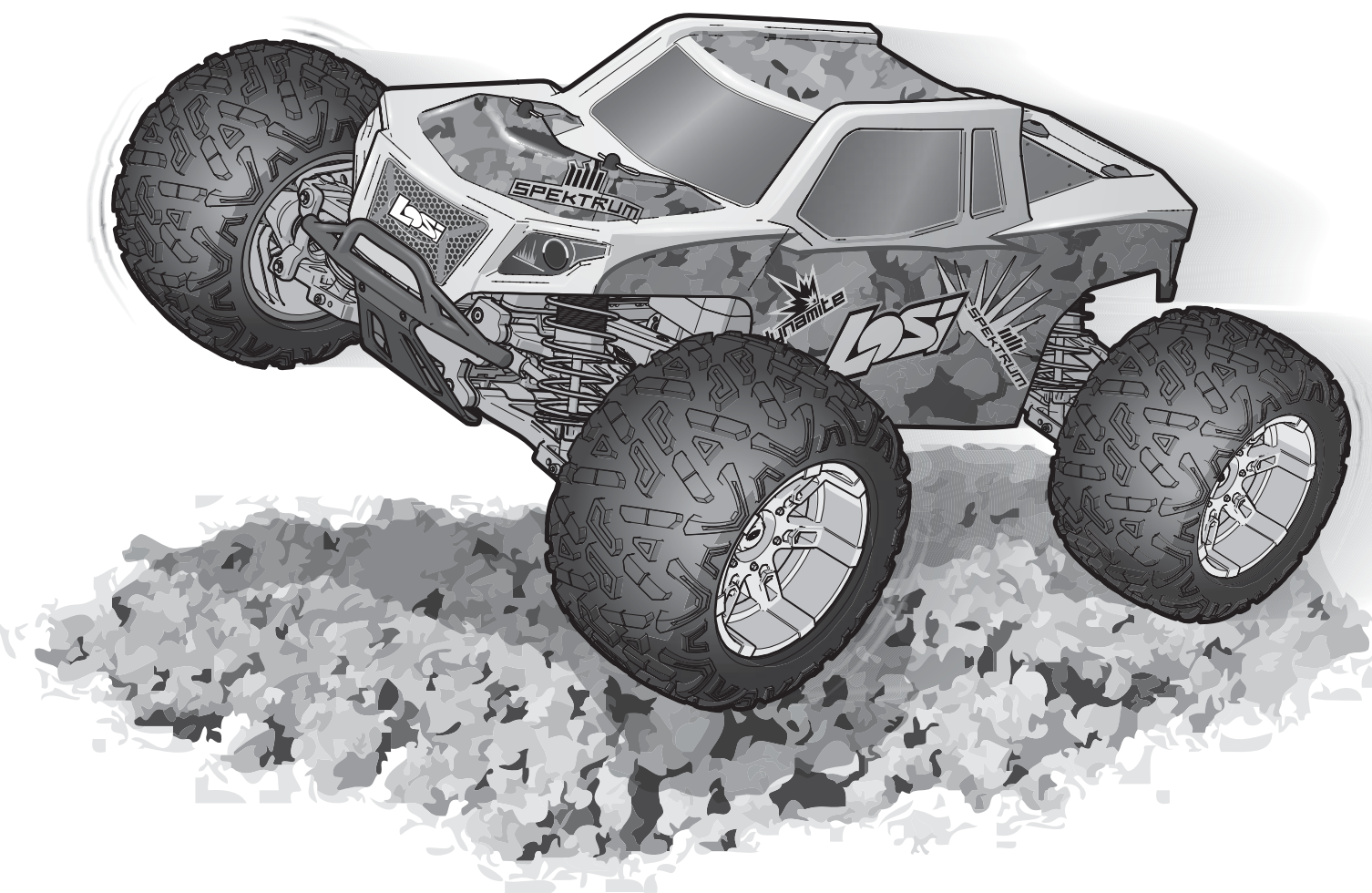


RTR
READY-TO-RUN

AVC® U.S. Pat. No. 9,320,977

LST 3XL-E™ RTR



**INSTRUCTION MANUAL
BEDIENUNGSANLEITUNG
MANUEL D'UTILISATION
MANUALE DI ISTRUZIONI**



Before operating this vehicle, please read all printed materials thoroughly.
Horizon Hobby is not responsible for inadvertent errors in this manual.

NOTICE

All instructions, warranties and other collateral documents are subject to change at the sole discretion of Horizon Hobby, LLC. For up-to-date product literature, visit horizonhobby.com and click on the support tab for this product.


MEANING OF SPECIAL LANGUAGE

The following terms are used throughout the product literature to indicate various levels of potential harm when operating this product:


WARNING: Procedures, which if not properly followed, create the probability of property damage, collateral damage, and serious injury OR create a high probability of superficial injury.

CAUTION: Procedures, which if not properly followed, create the probability of physical property damage AND a possibility of serious injury.

NOTICE: Procedures, which if not properly followed, create a possibility of physical property damage AND a little or no possibility of injury.

 **WARNING:** Read the ENTIRE instruction manual to become familiar with the features of the product before operating. Failure to operate the product correctly can result in damage to the product, personal property and cause serious injury.

This is a sophisticated hobby product. It must be operated with caution and common sense and requires some basic mechanical ability. Failure to operate this Product in a safe and responsible manner could result in injury or damage to the product or other property. This product is not intended for use by children without direct adult supervision. Do not use with incompatible components or alter this product in any way outside of the instructions provided by Horizon Hobby, LLC. This manual contains instructions for safety, operation and maintenance. It is essential to read and follow all the instructions and warnings in the manual, prior to assembly, setup or use, in order to operate correctly and avoid damage or serious injury.

 **WARNING AGAINST COUNTERFEIT PRODUCTS** Always purchase from a Horizon Hobby, LLC authorized dealer to ensure authentic high-quality Spektrum product. Horizon Hobby, LLC disclaims all support and warranty with regards, but not limited to, compatibility and performance of counterfeit products or products claiming compatibility with DSM or Spektrum technology.

Age Recommendation: Not for children under 14 years. This is not a toy.

SAFETY PRECAUTIONS AND WARNINGS

As the user of this product, you are solely responsible for operating in a manner that does not endanger yourself and others or result in damage to the product or property of others.

This model is controlled by a radio signal subject to interference from many sources outside your control. This interference can cause momentary loss of control, so it is advisable to always keep a safe distance in all directions around your model as this margin will help avoid collisions or injury.

- Never operate your model with low transmitter batteries.
- Always operate your model in open spaces away from full-size vehicles, traffic and people.
- Never operate the model in the street or in populated areas for any reason.
- Carefully follow the directions and warnings for this and any optional support equipment (chargers, rechargeable battery packs, etc.) you use.
- Keep all chemicals, small parts and anything electrical out of the reach of children.

- Never lick or place any portion of the model in your mouth as it could cause serious injury or even death.
- Exercise caution when using tools and sharp instruments.
- Take care during maintenance as some parts may have sharp edges.
- Immediately after using your model, do NOT touch equipment such as the motor, electronic speed control and battery, because they generate high temperatures. You may burn yourself seriously touching them.
- Do not put fingers or any objects inside rotating and moving parts, as this may cause damage or serious injury.
- Always turn on your transmitter before you turn on the receiver in the car. Always turn off the receiver before turning your transmitter off.
- Keep the wheels of the model off the ground when checking the operation of the radio equipment.

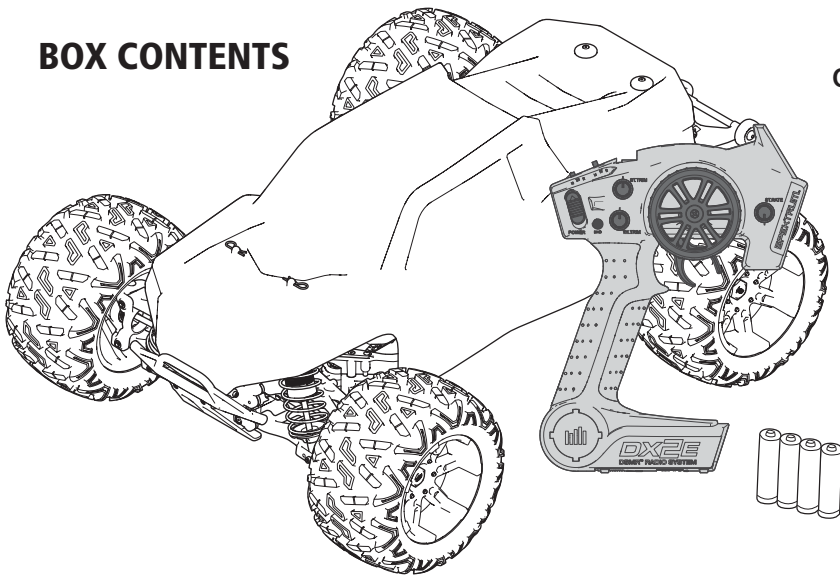
TABLE OF CONTENTS

BOX Contents	3	ESC CALIBRATION PROCEDURE	6
Water-resistant Vehicle with Waterproof Electronics	3	Run Time	6
General Precautions	3	To Improve Run Times	6
Wet Conditions Maintenance	3	Performing a control DIRECTION test	6
Quick Start	3	Changing the Travel Adjust Settings	6
Selecting the Batteries	3	ESC FUNCTIONS AND MODES	7
Components	3	ESC programming procedure	7
Installing the Batteries	4	Descriptions	7
Spektrum DX2E ACTIVE Radio System	4	Dynamite® Fuze™ 2200Kv Brushless Motor (DYNS1631)	8
Installing the Transmitter Batteries	4	Precautions	8
SRS6000 AVC Technology Receiver	4	GEARING	8
Aux channels	4	Troubleshooting Guide	8
Binding and Calibrating the Receiver	5	Problem	8
Disabling the Stability Assist Function	5	Possible Cause	8
Driving Precautions	5	Solution	8
Powering on the Vehicle	5	Limited Warranty	8
Before Running Your Vehicle	5	Warranty and Service Contact Information	9
AVC® Sensitivity	5	FCC Statement	9
Forward	5	IC Information	9
Brake/Reverse	5	Compliance Information for the European Union	9
Dynamite® Fuze™ 150A Sensorless Brushless ESC (DYNS2631)	6	Replacement Parts	34
Specifications	6	Optional Parts	36
ESC LED STATUS	6	Exploded View	37
AUDIBLE WARNING TONES	6		

REGISTER YOUR LOSI PRODUCT ONLINE

Register your vehicle now and be the first to find out about the latest option parts, product updates and more. Click on the Support tab at WWW.LOSI.COM and follow the product registration link to stay connected.

BOX CONTENTS



COMPONENTS

- Losi® LST 3XL™ (LOS04015)
- Spektrum™ DX2E Active™, 2.4GHz Transmitter (SPM2335)
- Spektrum™ 6-Channel DSMR® AVC Surface Receiver (SPMSRS6000)
- Spektrum™ 18KG WP 1/5th Scale Servo (SPMS904)
- Dynamite® Fuze™ 150a Sensorless BL WP ESC: 3-6s (DYN52631)
- Dynamite® Fuze™ 1/8 4P BL Motor 2200kv: LST 3XL-E (DYN51631)
- 4 AA batteries (for transmitter)

WATER-RESISTANT VEHICLE WITH WATERPROOF ELECTRONICS

Your new Horizon Hobby vehicle has been designed and built with a combination of waterproof and water-resistant components to allow you to operate the product in many “wet conditions,” including puddles, creeks, wet grass, snow and even rain.

While the entire vehicle is highly water-resistant, it is not completely waterproof and your vehicle should NOT be treated like a submarine. The various electronic components used in the vehicle, such as the Electronic Speed Control (ESC), servo(s) and receiver are waterproof, however, most of the mechanical components are water-resistant and should not be submerged.

Metal parts, including the bearings, hinge pins, screws and nuts, as well as the contacts in the electrical cables, will be susceptible to corrosion if additional maintenance is not performed after running in wet conditions. To maximize the long-term performance of your vehicle and to keep the warranty intact, the procedures described in the “Wet Conditions Maintenance” section below must be performed regularly if you choose to run in wet conditions. If you are not willing to perform the additional care and maintenance required, then you should not operate the vehicle in those conditions.

CAUTION: Failure to exercise caution while using this product and complying with the following precautions could result in product malfunction and/or void the warranty.

GENERAL PRECAUTIONS

- Read through the wet conditions maintenance procedures and make sure that you have all the tools you will need to properly maintain your vehicle.
- Not all batteries can be used in wet conditions. Consult the battery manufacturer before use. Caution should be taken when using Li-Po batteries in wet conditions.
- Most transmitters are not water-resistant. Consult your transmitter’s manual or the manufacturer before operation.
- Never operate your transmitter or vehicle where lightning may be present.
- Do not operate your vehicle where it could come in contact with salt water (ocean water or water on salt-covered roads), contaminated or polluted water. Salt water is very conductive and highly corrosive, so use caution.
- Even minimal water contact can reduce the life of your motor if it has not been certified as water-resistant or waterproof. If the motor becomes excessively wet, apply very light throttle until the water is mostly removed from the motor. Running a wet motor at high speeds may rapidly damage the motor.
- Driving in wet conditions can reduce the life of the motor. The additional resistance of operating in water causes excess strain. Alter the gear ratio by using a smaller pinion or larger spur gear. This will increase torque (and motor life) when running in mud, deeper puddles, or any wet conditions that will increase the load on the motor for an extended period of time.

QUICK START

Please read the entire manual to gain a full understanding of the 3XL-E RTR vehicle, fine-tuning the setup and performing maintenance.

1. Read the safety precautions found in this manual.
2. Charge a battery for the vehicle. Refer to the included charging warnings and instructions for battery charging information.
3. Install the AA batteries in the transmitter. Only use alkaline or rechargeable batteries.
4. Install fully charged batteries in the vehicle.
5. Power ON the transmitter and then the vehicle. Wait 5 seconds for the ESC to initialize. Always power the transmitter ON before the vehicle and power it OFF after the vehicle has been powered OFF.
6. Check the steering and throttle control directions. Verify that the servos are moving in the correct direction.
7. Drive your vehicle.
8. Perform any necessary maintenance.

SELECTING THE BATTERIES

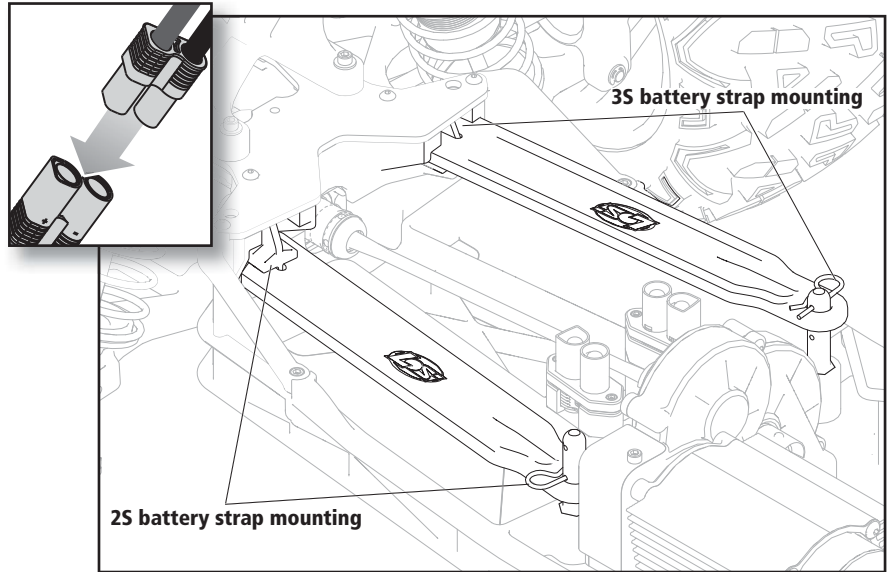
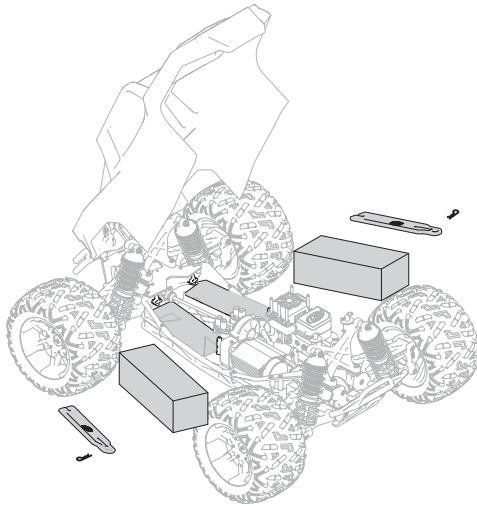
The 3XL-E requires two 2S to 3S LiPo batteries for operation, which running together in series operate as a 4S to 6S pack, depending on your selection. The 3XL-E is equipped with the optimal gearing for up to 6S batteries in most operating conditions. Choose the batteries to match how much speed, power and efficiency you expect out of the truck. Running two 3S packs as 6S, the truck will be faster and have more power on tap than two 2S packs, but it will deliver shorter run times on 6S.

The recommended batteries are the Dynamite® 7.4 5000mAh 2S 50C LiPo: Hardcase with EC5™ connector (DYN3810EC) or Dynamite 11.1 5000mAh 3S 50C LiPo Hardcase with

EC5™ connector (DYN3811EC). Choose a charger designed to charge 2S and/or 3S Li-Po batteries. We recommend the Dynamite® Passport 400W Dual ACDC Touch (DYN3005). Refer to your battery and charger manuals for usage, safety, and charging information.

IMPORTANT: When using 6S batteries, pay attention to the motor and battery temperatures. If components are operating above recommended specifications, reduce the size of the pinion gear or go down to a 5S or 4S configuration. Gearing options are also available to fine-tune the truck. See the Gearing section on page 8 in this manual for more information.

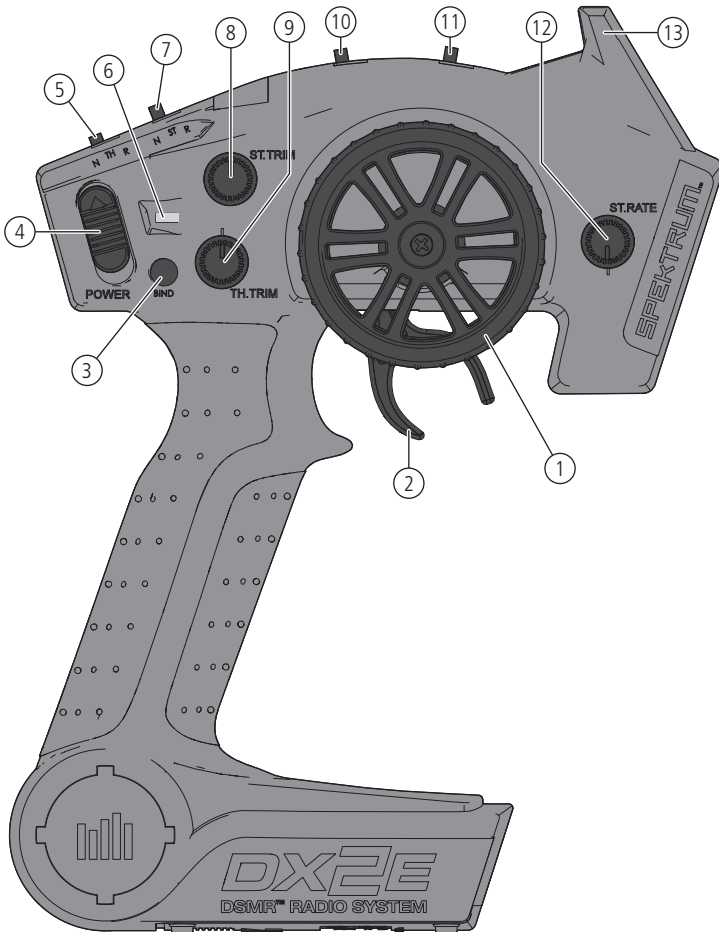
INSTALLING THE BATTERIES



1. Ensure the ESC is powered OFF.
2. Remove the body pins and lift the front of the body.
3. Remove the body pins from the battery straps and remove the battery clamps.
4. Install the batteries in the battery trays and secure them in place with the battery clamps.

5. Connect the batteries to the power terminals, noting the correct polarity.
6. Both batteries must be plugged in in order to turn the truck on.
7. Turn ON the transmitter, then the vehicle.

SPEKTRUM DX2E ACTIVE RADIO SYSTEM



1. **Steering Wheel** Controls direction (left/right) of the model
2. **Throttle Trigger** Controls speed and direction (forward/brake/reverse) of the model
3. **BIND Button** Puts the transmitter into Bind Mode
4. **ON/OFF Switch** Turns the power ON/OFF for the transmitter
5. **TH.REV** Reverses function of the speed control when pulled back or pushed forward
6. **Indicator Lights**
 - Solid green light—indicates adequate battery power
 - Flashing green light—indicates the battery voltage is critically low. Replace batteries
7. **ST. REV** Reverses the function of the steering when the wheels is turned left or right
8. **ST Trim** Adjusts the steering center point
9. **TH Trim** Adjusts the throttle neutral point
10. **TH Limiter** Limits throttle output to 50, 70 or 100%.
11. **3-Position Switch** Used to control a third channel and is preset at -100%/Neutral/100%
12. **ST Rate** Adjusts the sensitivity of AVC technology
13. **Antenna** Transmits the signal to the model

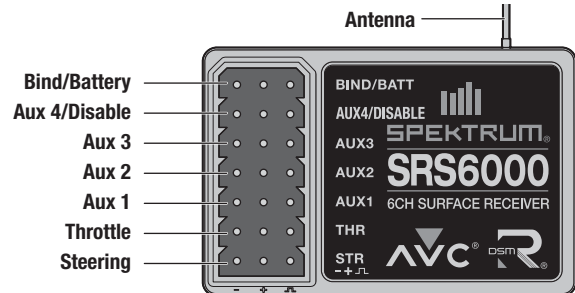
INSTALLING THE TRANSMITTER BATTERIES

1. Push in the battery cover a small amount to release the retaining tab, then remove the cover.
2. Install 4 AA batteries, taking care to align the battery polarity to the diagram in the transmitter's battery case.
3. Carefully reinstall the battery cover by aligning the tabs with the slots on the transmitter.

- CAUTION:** If using rechargeable batteries, charge only rechargeable batteries. Charging non-rechargeable batteries may cause the batteries to burst, resulting in injury to persons and/or damage to property.
- CAUTION:** Risk of explosion if battery is replaced by an incorrect type. Dispose of used batteries according to national regulations.

For more information on the transmitter, go to www.horizonhobby.com and click on the support tab for the Spektrum DX2E to download the instruction manual.

SRS6000 AVC TECHNOLOGY RECEIVER



AUX CHANNELS

The Aux channels can operate as additional servo channels, or as a power supply for a personal transponder.

If AVC is active, only 4 channels; Steering, Throttle, AUX3 and AUX4 are operational. The remaining Aux channels can be used to power a personal transponder or lights.

If AVC is disabled (see **DISABLING THE STABILITY ASSIST FUNCTION**), all 6 channels including the Aux channels can operate as servo channels.

BINDING AND CALIBRATING THE RECEIVER

The included transmitter and receiver are bound at the factory.

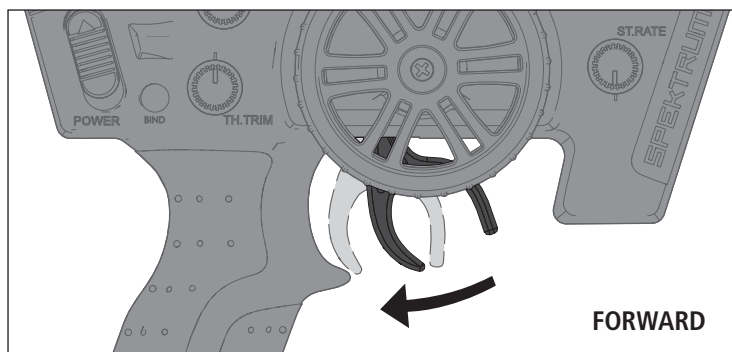
If you need to rebind, follow the instructions below.

In order to operate, the receiver must be bound to the transmitter. Binding is the process of programming the receiver to recognize the GUID (Globally Unique Identifier) code of a single specific transmitter. When a receiver is bound to a transmitter/model memory, the receiver will only respond to that specific transmitter/model memory.

You must calibrate the receiver each time it is placed in bind mode.

IMPORTANT: The following sequence of steps must be followed in order for AVC technology to function properly.

1. Insert the Bind Plug in the BIND port on the receiver.
2. Power on the receiver. The orange LED flashes, indicating the receiver is in bind mode.
3. Center the ST TRIM and TH TRIM on the transmitter.
4. Put your transmitter in bind mode by powering on transmitter while holding down bind button.
5. The bind process is complete when the orange LED on the receiver is solid.
6. Pull the transmitter trigger to Full Throttle.
7. Push the transmitter trigger to Full Brake, then return the trigger to center.
8. Turn the transmitter steering wheel to Full Right.



9. Turn the transmitter steering wheel to Full Left, then return the steering wheel to center. The orange LED flashes once.
10. Remove the bind plug once the calibration and binding process is complete.
11. Power off the transmitter.

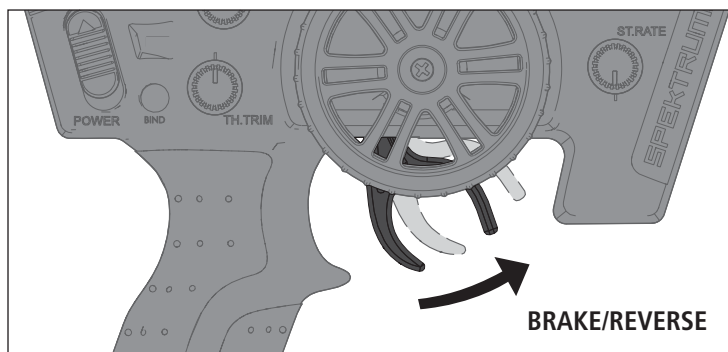
IMPORTANT: You must rebind the transmitter and receiver if you:

- Change the servo reverse after binding
 - Change the travel after binding
 - Want to use the receiver with a different model memory
- If you change the servo reversing or travel adjust after binding, AVC will not work properly.

DISABLING THE STABILITY ASSIST FUNCTION

If you participate in organized racing, you may be required to turn AVC® technology off. To turn off AVC technology, insert a second Bind Plug in the Disable port before binding.

IMPORTANT: You must calibrate the receiver each time it is placed in bind mode. To activate AVC, see the steps in BINDING AND CALIBRATING THE RECEIVER.



DRIVING PRECAUTIONS

- Maintain sight of the vehicle at all times.
- Routinely inspect the vehicle for loose wheel hardware.
- Routinely inspect the steering assembly for any loose hardware. Driving the vehicle off-road can cause fasteners to loosen over time.
- Do not drive the vehicle in tall grass. Doing so can damage the vehicle or electronics.
- Stop driving the vehicle when you notice a lack of power. Driving the vehicle when the battery is discharged can cause the receiver to power off. If the receiver loses power, you will lose control of the vehicle. Damage due to an over-discharged Li-Po battery is not covered under warranty.

CAUTION: Do not discharge a Li-Po battery below 3V per cell. Batteries discharged to a voltage lower than the lowest approved voltage may become damaged, resulting in loss of performance and potential fire when batteries are charged.

- Do not apply forward or reverse throttle if the vehicle is stuck. Applying throttle in this instance can damage the motor or ESC.
- After driving the vehicle, allow the electronics to cool before driving the vehicle again.

IMPORTANT: Keep wires away from all moving parts.

BEFORE RUNNING YOUR VEHICLE

1. Check for free suspension movement. All suspension arms and steering components should move freely. Any binds will cause the vehicle to handle poorly.

Tip: To increase the ride height and ground clearance of your vehicle, install the included shock spacers. Charge a battery pack. Always charge the battery pack as per the battery and/or charger manufacturers' instructions.

2. Set the transmitter steering trim. Follow the instructions to set the steering trim/subtrim so that the vehicle drives straight with no input to the steering.
3. Perform a Control Direction Test.

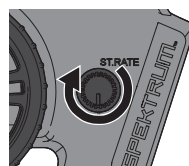
POWERING ON THE VEHICLE

1. Center the ST TRIM and TH TRIM dials on the transmitter.
2. Power on the transmitter.
3. Install fully charged battery packs per the *Installing the Battery* section.
4. Power on the ESC.

IMPORTANT: The vehicle **MUST** remain on a flat, level surface and motionless for at least 5 seconds.

AVC® SENSITIVITY

The ST RATE dial adjusts the sensitivity, or stability, value in the receiver. If you increase the sensitivity, the AVC® system becomes more sensitive to the vehicle drifting left or right. You would use maximum sensitivity during high speed driving or drag racing, when you want the vehicle to stay in a straight line.



Turn the ST RATE knob counter-clockwise to reduce the sensitivity.

Turn the ST RATE knob clockwise to increase the sensitivity.

IMPORTANT: The ST RATE knob will only adjust the sensitivity when the transmitter is bound to an AVC DSMR® receiver. When the transmitter is bound to a DSM2® or DSM Marine receiver, the ST RATE knob controls the steering dual rate.

RUN TIME

The largest factor in run time is the capacity of the battery pack. A larger mAh rating increases the amount of run time experienced.

The condition of a battery pack is also an important factor in both run time and speed. The battery connectors may become hot during driving. Batteries will lose performance and capacity over time.

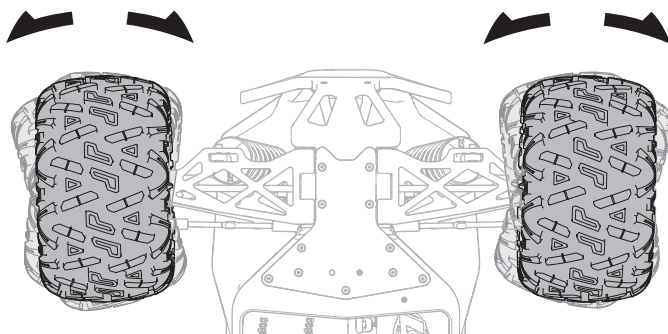
Driving the vehicle from a stop to full speed repeatedly will damage the batteries and electronics over time. Sudden acceleration will also lead to shorter run times.

TO IMPROVE RUN TIMES

- Keep your vehicle clean and well maintained.
- Allow more airflow to the ESC and motor.
- Change the gearing to a lower ratio. A lower ratio decreases the operating temperature of the electronics. Use a smaller pinion gear to lower the gear ratio.
- Use a battery pack with a higher mAh rating.
- Use the optimum charger to charge battery packs (Visit your local hobby dealer for more information).

PERFORMING A CONTROL DIRECTION TEST

Perform a control test with the vehicle wheels off the ground. If the wheels rotate after the vehicle is powered ON, adjust the TH Trim knob until they stop. To make the wheels move forward, pull the trigger. To reverse them, wait for the wheels to stop, then push the trigger. When moving forward, the wheels should maintain a straight line without any steering wheel input. If not, adjust the ST Trim knob, so the wheels maintain a straight line without having to turn the steering wheel.



CHANGING THE TRAVEL ADJUST SETTINGS

Set the travel adjust settings with all four vehicle wheels off the ground. The throttle end point and brake end point adjustments will cause the wheels to spin at full speed. Have an assistant safely hold the vehicle securely while adjusting these settings.

CAUTION: Keep hands, hair and all loose clothing away from any moving parts, especially the wheels, while setting the travel adjust end points. Serious injury may result.

1. Hold the trigger in the full brake position and turn the steering wheel to Full Right while powering on the transmitter. The LED flashes rapidly, indicating the programming mode is active.
2. Throttle End Point: Continue holding full throttle. Turn the TH TRIM knob to adjust the full throttle end point.
3. Brake End Point: Hold the trigger in the full brake position. Turn the TH TRIM knob to adjust the full brake end point. Return the trigger to the center position.
4. Left Steering End Point: Hold the steering wheel in the full left position. Turn the ST TRIM knob to adjust the left end point.
5. Right Steering End Point: Hold the steering wheel in the full right position. Turn the ST TRIM knob to adjust the right end point. Return the steering wheel to the center position.
6. Power off the transmitter to save the travel adjust settings.

The minimum Travel is 75%, and the Maximum travel is 150%.

IMPORTANT: If the travel is changed on the transmitter, you must rebind and calibrate the SPMSRS6000.

DYNAMITE® FUZE™ 150A SENSORLESS BRUSHLESS ESC (DYN2631)

SPECIFICATIONS

Type	Sensorless
Constant/Peak	150A/950A
Resistance	0.00035 Ohm
Function	Forward/Brake-Forward/Brake Reverse
Operation	Proportional forward, proportional reverse with braking delay
Input Voltage	8-18 Cells NiMH, 3-6s LiPo
BEC Output	6V/5A
Overload Protection	Thermal
Dimensions (LxWxH)	59.5mm(L) x 48mm(W) x 42mm(H)
Weight	178g

ESC LED STATUS

- No ESC LEDs will glow when there is no throttle input from the transmitter.
- The red ESC LED glows when there is any throttle input from the transmitter.

AUDIBLE WARNING TONES

1. **Input Voltage:** The ESC checks the input voltage when it is powered ON. If a voltage problem is detected, the ESC continuously sounds 2 beeps with a 1 second pause (xx-xx-xx). Power OFF the ESC and ensure the connections are secure and that the battery power is not too low for safe operation.
2. **Radio Connection:** The ESC checks radio signal input when it is powered ON. If a problem is detected, the ESC continuously sounds 1 beep with a 2 second pause (x--x--x). Power OFF the ESC and ensure the radio system is operating correctly.

For sensorless brushless motors:

1. Connect the ESC terminal A to the motor's terminal A.
2. Connect the ESC terminal B to the motor's terminal B.
3. Connect the ESC terminal C to the motor's terminal C.

NOTICE: Always disconnect the battery from the ESC when you have finished operating your vehicle. The ESC's switch only controls power to the receiver and servos. The ESC will continue to draw current when connected to the battery, resulting in possible damage to the battery through over discharge.

ESC CALIBRATION PROCEDURE

Ensure proper ESC function by calibrating the ESC to your transmitter inputs.

1. Power OFF the ESC.
2. Ensure your transmitter is powered ON, the throttle is not reversed, the throttle trim is neutral and the throttle travel range is at 100%. Disable any special functions such as ABS, etc.
3. Press and hold the SET button while powering ON the ESC. Release the button as soon as the red LED starts to flash.
4. Calibrate the throttle points by pressing the SET button once after each step. The green LED flashes to indicate status.
 - Neutral (1 flash)—leave the throttle at rest, untouched
 - Full throttle (2 flashes)—pull the throttle fully back
 - Full brake/reverse (3 flashes)—push the throttle fully forward
5. The motor can be started 3 seconds after the last step is completed.

Tip: If the motor turns in the wrong direction, reverse the connection of the 2 outside motor wires. The center wire must remain in the center and cannot be moved to another motor tab.

ESC FUNCTIONS AND MODES

The ESC includes programming options so you can adjust the way your vehicle performs. Refer to the included settings table to adjust the ESC for your driving conditions.

ESC PROGRAMMING PROCEDURE

Programming is accomplished using the SET button on the ON/OFF switch or Digital Program Box (DYN3748).

1. Connect a fully charged battery to the ESC.
2. Power ON the ESC using the ESC switch.
3. Press and hold the SET button, then power ON the ESC. Do not release the button until it is time to select a menu point. The red LED will first flash, then the green LED flashes once to indicate the first menu point.
4. The green LED will flash a number of times to indicate each menu point, release the button when the desired menu point is reached.
5. When at the desired programmable item in the menu(as indicated in chart below), hold the SET button for 3 seconds until the red LED blinks.
6. Press the SET button to move among the settings based on how many times the red LED blinks (Refer to the table for more information).
7. Save the setting by holding the SET button for 3 seconds.
8. Power OFF the ESC switch and repeat the instructions above to change other settings.

Tip: If desired, the ESC programming can be returned to default settings by powering ON the ESC and holding the SET button for 5 seconds.

PROGRAMMABLE ITEMS	PROGRAMMABLE VALUE								
	1	2	3	4	5	6	7	8	9
1 Running Mode	Forward w/ brake	Forward/Reverse w/ brake	Forward/Reverse						
2 Drag Brake Force	0%	5%	10%	20%	40%	60%	80%	100%	
3 Low Voltage Cutoff	non-protection	2.6V/Cell	2.8V/Cell	3.0V/Cell	3.2V/Cell	3.4V/Cell			
4 Start Mode	Level 1	Level 2	Level 3	Level 4	Level 5	Level 6	Level 7	Level 8	Level 9
5 Max Brake Force	25%	50%	75%	100%	Disable				

■ Default Settings

DESCRIPTIONS

1. Running Mode

- *Forward Only with Brake*
Intended for competition use, this mode allows only forward and brake controls.
- *Forward/Reverse with Brake*

This mode is the basic all-around mode, allowing forward, reverse and brake controls. To engage reverse while moving forward, apply the brake until the vehicle has come to a complete stop, release brake, then apply the brake again. While braking or in reverse, engaging the throttle will result in the vehicle immediately accelerating forward.

2. Drag Brake Force

Adjusts the amount of brake automatically applied when the throttle is returned to the neutral position. This simulates the engine braking effect of a full-scale vehicle, allowing improved turn-in and your vehicle's general response to controls.

3. Low Voltage Cutoff

This function helps to prevent battery over-discharge. The ESC continuously monitors the battery's voltage. If the voltage falls below the voltage threshold for 2 seconds, the output power shuts off and the red LED flashes twice repeatedly.

The cutoff threshold calculation is based on individual Li-Po cell voltage. For Ni-MH batteries, if the voltage battery pack is higher than 9.0V, it will be treated as a 3-cell Li-Po battery pack; if it is lower than 9.0V, it will be treated as a 2-cell Li-Po battery pack. Example: for a 8.0V Ni-MH battery pack used with a 2.6V/cell threshold, it will be treated as a 2-cell Li-Po battery pack and the low-voltage cut-off threshold will be 5.2V (2.6x2=5.2).

4. Start Mode (Punch)

Sets the initial throttle punch when the car accelerates. Level 1 gives a very soft initial acceleration and level 4 gives a stronger initial acceleration.

5. Max Brake Force

Adjusts the maximum braking force. A higher value provides stronger braking, but can also cause the wheels to lock, resulting in loss of control of the car.

DYNAMITE® FUZE™ 2200KV BRUSHLESS MOTOR (DYSN1631)

PRECAUTIONS

- Never touch moving parts.
- Never disassemble while the batteries are installed.
- Always let parts cool before touching.

GEARING

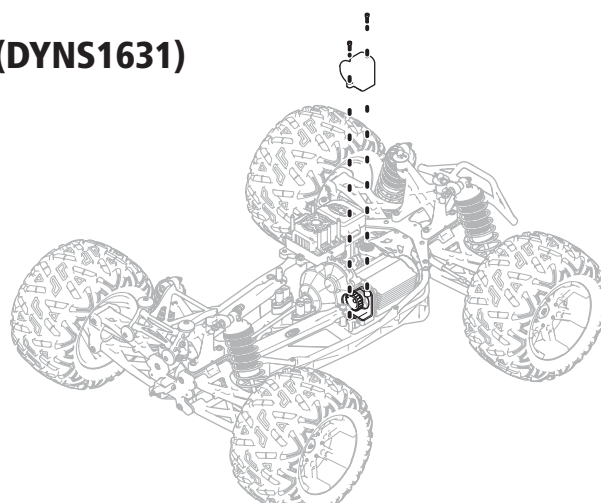
Installing a pinion gear with fewer teeth will provide greater torque and reduce the load on the power train, but will also reduce top speed. Likewise, a pinion gear with more teeth will reduce torque and increase top speed but will increase the load on the power train. Care should be taken when installing larger pinion gears as this can "overgear" the vehicle, resulting in overheating of the motor and ESC. When testing different gearing options, pay close attention to the temperature of the motor and speed control to ensure you are operating within the recommended specifications of the components. The motor or ESC should never be so hot that it cannot be touched. If temperatures are too hot, a different gearing combination with a lower pinion gear is suggested.

Tip: Dynamite brushless motors are rated to operate up to 176°F/ 80°C

CHANGING THE PINION GEAR/GEAR RATIO

1. Remove the 2 screws holding the pinion gear cover in place.
2. Loosen the set screw and remove the installed pinion gear.
3. Remove the 4 screws on the bottom of the motor.
4. Place the new pinion on the end of the motor shaft so the set screw is located over the flat on the shaft.
5. Position it so the teeth line up with the spur gear and secure the pinion by tightening the set screw.
6. Move the motor so the holes line up with the pinion gear number and secure the motor with the 4 motor screws.
7. Replace the pinion gear cover and install the 2 screws.

Tip: Consider running a 21 tooth or smaller pinion gear to keep power systems temperatures within recommended specifications when running the 3XL-E on 6S and in heavy load conditions, such as grass or mud.



TROUBLESHOOTING GUIDE

PROBLEM	POSSIBLE CAUSE	SOLUTION
Vehicle does not operate	Battery not charged or plugged in	Charge battery/plug in
	ESC switch not "On"	Turn on ESC switch
	Transmitter not "On" or low battery	Turn on/replace batteries
Motor runs but wheels do not rotate	Pinion not meshing with spur gear	Adjust pinion/spur mesh
	Pinion spinning on motor shaft	Tighten pinion gear setscrew on motor shaft flat spot
	Transmission gears stripped	Replace transmission gears
	Drive pin broken	Check and replace drive pin
Steering does not work	Servo plug not in receiver properly	Make sure the steering servo plug is connected to the receiver steering channel, noting proper polarity
	Servo gears or motor damaged	Replace or repair servo
Will not turn one direction	Servo gears damaged	Replace or repair servo
Motor does not run	Motor wire solder joint is damaged	Resolder the motor wire with the proper equipment
	Motor wire broken	Repair or replace as needed
	ESC damaged	Contact Horizon Hobby Product Support
ESC gets hot	Motor over-gear	Use smaller pinion or larger spur gear
	Driveline bound up	Check wheels and transmission for binding
Poor run time and/or sluggish acceleration	Battery pack not fully charged	Recharge battery
	Charger not allowing full charge	Try another charger
	Driveline bound up	Check wheels, transmission for binding
Poor range and/or glitching	Transmitter batteries low	Check and replace
	Vehicle battery low	Recharge battery
	Loose plugs or wires	Check all wire connections and plugs

LIMITED WARRANTY

What this Warranty Covers

Horizon Hobby, LLC, (Horizon) warrants to the original purchaser that the product purchased (the "Product") will be free from defects in materials and workmanship at the date of purchase.

What is Not Covered

This warranty is not transferable and does not cover (i) cosmetic damage, (ii) damage due to acts of God, accident, misuse, abuse, negligence, commercial use, or due to improper use, installation, operation or maintenance, (iii) modification of or to any part of the Product, (iv) attempted service by anyone other than a Horizon Hobby authorized service center, (v) Product not purchased from an authorized Horizon dealer, or (vi) Product not compliant with applicable technical regulations or (vii) use that violates any applicable laws, rules, or regulations. OTHER THAN THE EXPRESS WARRANTY ABOVE, HORIZON MAKES NO OTHER WARRANTY OR REPRESENTATION, AND HEREBY DISCLAIMS ANY AND ALL IMPLIED WARRANTIES,

INCLUDING, WITHOUT LIMITATION, THE IMPLIED WARRANTIES OF NON-INFRINGEMENT, MERCHANTABILITY AND FITNESS FOR A PARTICULAR PURPOSE. THE PURCHASER ACKNOWLEDGES THAT THEY ALONE HAVE DETERMINED THAT THE PRODUCT WILL SUITABLY MEET THE REQUIREMENTS OF THE PURCHASER'S INTENDED USE.

Purchaser's Remedy

Horizon's sole obligation and purchaser's sole and exclusive remedy shall be that Horizon will, at its option, either (i) service, or (ii) replace, any Product determined by Horizon to be defective. Horizon reserves the right to inspect any and all Product(s) involved in a warranty claim. Service or replacement decisions are at the sole discretion of Horizon. Proof of purchase is required for all warranty claims. SERVICE OR REPLACEMENT AS PROVIDED UNDER THIS WARRANTY IS THE PURCHASER'S SOLE AND EXCLUSIVE REMEDY.

Limitation of Liability

HORIZON SHALL NOT BE LIABLE FOR SPECIAL, INDIRECT, INCIDENTAL OR CONSEQUENTIAL DAMAGES, LOSS OF PROFITS OR PRODUCTION OR COMMERCIAL LOSS IN ANY WAY, REGARDLESS OF WHETHER SUCH CLAIM IS BASED IN CONTRACT, WARRANTY, TORT, NEGLIGENCE, STRICT LIABILITY OR ANY OTHER THEORY OF LIABILITY, EVEN IF HORIZON HAS BEEN ADVISED OF THE POSSIBILITY OF SUCH DAMAGES. Further, in no event shall the liability of Horizon exceed the individual price of the Product on which liability is asserted. As Horizon has no control over use, setup, final assembly, modification or misuse, no liability shall be assumed nor accepted for any resulting damage or injury. By the act of use, setup or assembly, the user accepts all resulting liability. If you as the purchaser or user are not prepared to accept the liability associated with the use of the Product, purchaser is advised to return the Product immediately in new and unused condition to the place of purchase.

Law

These terms are governed by Illinois law (without regard to conflict of law principals). This warranty gives you specific legal rights, and you may also have other rights which vary from state to state. Horizon reserves the right to change or modify this warranty at any time without notice.

WARRANTY SERVICES

Questions, Assistance, and Services

Your local hobby store and/or place of purchase cannot provide warranty support or service. Once assembly, setup or use of the Product has been started, you must contact your local distributor or Horizon directly. This will enable Horizon to better answer your questions and service you in the event that you may need any assistance. For questions or assistance, please visit our website at www.horizonhobby.com, submit a Product Support Inquiry, or call the toll free telephone number referenced in the Warranty and Service Contact Information section to speak with a Product Support representative.

Inspection or Services

If this Product needs to be inspected or serviced and is compliant in the country you live and use the Product in, please use the Horizon Online Service Request submission process found on our website or call Horizon to obtain a Return Merchandise Authorization (RMA) number. Pack the Product securely using a shipping carton. Please note that original boxes may be included, but are not designed to withstand the rigors of shipping without additional protection. Ship via a carrier that provides tracking and insurance for lost or damaged parcels, as Horizon is not responsible for merchandise until it arrives and is accepted at our facility. An Online Service Request is available at http://www.horizonhobby.com/content/service-center_render-service-center.

center_render-service-center. If you do not have internet access, please contact Horizon Product Support to obtain a RMA number along with instructions for submitting your product for service. When calling Horizon, you will be asked to provide your complete name, street address, email address and phone number where you can be reached during business hours. When sending product into Horizon, please include your RMA number, a list of the included items, and a brief summary of the problem. A copy of your original sales receipt must be included for warranty consideration. Be sure your name, address, and RMA number are clearly written on the outside of the shipping carton.

NOTICE: Do not ship Li-Po batteries to Horizon. If you have any issue with a Li-Po battery, please contact the appropriate Horizon Product Support office.

Warranty Requirements

For Warranty consideration, you must include your original sales receipt verifying the proof-of-purchase date. Provided warranty conditions have been met, your Product will be serviced or replaced free of charge. Service or replacement decisions are at the sole discretion of Horizon.

Non-Warranty Service

Should your service not be covered by warranty, service will be completed and payment will be required without notification or estimate of the expense unless the expense exceeds 50% of the retail purchase cost. By submitting the item for service you are agreeing to payment of the service without notification. Service estimates are available upon request. You must include this request with your item submitted for service. Non-warranty service estimates will be billed a minimum of ½ hour of labor. In addition you will be billed for return freight. Horizon accepts money orders and cashier's checks, as well as Visa, MasterCard, American Express, and Discover cards. By submitting any item to Horizon for service, you are agreeing to Horizon's Terms and Conditions found on our website http://www.horizonhobby.com/content/service-center_render-service-center.

ATTENTION: Horizon service is limited to Product compliant in the country of use and ownership. If received, a non-compliant Product will not be serviced. Further, the sender will be responsible for arranging return shipment of the un-serviced Product, through a carrier of the sender's choice and at the sender's expense. Horizon will hold non-compliant Product for a period of 60 days from notification, after which it will be discarded.

10/15

WARRANTY AND SERVICE CONTACT INFORMATION

Country of Purchase	Horizon Hobby	Contact Information	Address
United States of America	Horizon Service Center (Repairs and Repair Requests)	servicecenter.horizonhobby.com/RequestForm/	4105 Filedstone Rd. Champaign, Illinois 61822 USA
	Horizon Product Support (Product Technical Assistance)	productsupport@horizonhobby.com 877-504-0233	
	Sales	websales@horizonhobby.com 800-338-4639	
European Union	Horizon Technischer Service	service@horizonhobby.eu +49 (0) 4121 2655 100	Hanskampring 9 D 22885 Barsbüttel, Germany
	Sales: Horizon Hobby GmbH		

FCC INFORMATION

FCC ID: BRWDX2EQ2UC

FCC ID: BRWDASRX12

This device complies with part 15 of the FCC rules. Operation is subject to the following two conditions: (1) This device may not cause harmful interference, and (2) this device must accept any interference received, including interference that may cause undesired operation.

CAUTION: Changes or modifications not expressly approved by the party responsible for compliance could void the user's authority to operate the equipment.

This product contains a radio transmitter with wireless technology which has been tested and found to be compliant with the applicable regulations governing a radio transmitter in the 2.400GHz to 2.4835GHz frequency range.

IC INFORMATION

IC: 6157A-DX2EQ2UC

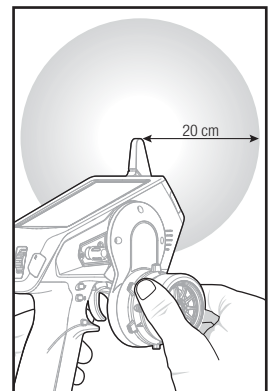
IC: 6157A-AMRX12

This device complies with Industry Canada licence-exempt RSS standard(s). Operation is subject to the following two conditions: (1) this device may not cause interference, and (2) this device must accept any interference, including interference that may cause undesired operation of the device.

Antenna Separation Distance

When operating your Spektrum transmitter, please be sure to maintain a separation distance of at least 5 cm between your body (excluding fingers, hands, wrists, ankles and feet) and the antenna to meet RF exposure safety requirements as determined by FCC regulations.

The illustrations show the approximate 20 cm RF exposure area and typical hand placement when operating your Spektrum transmitter.



COMPLIANCE INFORMATION FOR THE EUROPEAN UNION

CE EU Compliance Statement: Horizon Hobby, LLC hereby declares that this product is in compliance with the essential requirements and other relevant provisions of the RED and EMC Directive.

A copy of the EU Declaration of Conformity is available online at: <http://www.horizonhobby.com/content/support-render-compliance>.



Instructions for disposal of WEEE by users in the European Union

This product must not be disposed of with other waste. Instead, it is the user's responsibility to dispose of their waste equipment by handing it over to a designated collections point for the recycling of waste electrical and electronic equipment. The separate collection and recycling of your waste equipment at the time of disposal will help to conserve natural resources and ensure that it is recycled in a manner that protects human health and the environment. For more information about where you can drop off your waste equipment for recycling, please contact your local city office, your household waste disposal service or where you purchased the product.

REPLACEMENT PARTS // TEILELISTE // LISTE DES PIÈCES DE RECHANGE // ELENCO DEI RICAMBI

Part #	English	Deutsch	Français	Italiano
LOS236001	3.2mm x 7mmx .5mm Washer(10)		Rondelle 3,2 mm x 7 mm x 0,5 mm (10)	Rondella 3,2 mm x 7 mm x 0,5 mm (10)
LOS240010	SwivelRearBodyMountSet:LST 3XL-	Drehgelenk für hinteren Karosseriebereich/ Bausatz:LST 3XL-	Lot de supports de carrosserie arrière pour pivots : LST 3XL-	Set montante carrozzeria posteriore girevole: LST 3XL-
LOS240011	Body Set, Painted: LST 3XL-E	Karosseriesatz, lackiert: LST 3XL-E	Carrosserie, peinte : LST 3XL-E	Set carrozzeria, colorato: LST 3XL-E
LOS241016	CenterSection,Chassis: LST 3XL-	Mittelteil, Fahrgestell: LST 3XL-	Partie centrale, châssis : LST 3XL-	Sezione centrale, Telaio: LST 3XL-
LOS241017	F/RChassisBrce&DiffRing:LST3XL-	F/R Fahrgestell Brce&DiffRing: LST3XL-	Support de châssis AV/AR & Anneau de différen- tiel F/R : LST3XL-	Anello diff. e montante telaio ant./post.: LST3XL-
LOS241018	Steering Bellcrank Set:LST 3XL-	Steuerungsumlenkhebelsatz: LST 3XL-	Lot de leviers de renvoi de direction : LST 3XL-	Set squadrette sterzo: LST 3XL-
LOS241019	BatteryStraps&EC5Holder:LST3XL-	Akkugurtbänder & EC5 Halterung: LST3XL-	Sangle de batterie & support EC5 : LST3XL-	Fascette batteria e supporto EC5: LST3XL-
LOS241020	Servo/ESCMnt&RecvrBox: LST 3XL-	Servo /ESCMnt & Empfängerbox: LST 3XL-	Support de servo/variateur ESC & boîtier récep- teur : LST 3XL-	Montante servo/ESC e scatola ricevente: LST 3XL-
LOS241021	RodEnd&SteeringLinkSet:LST 3XL-	Gestängeende & Spurstange Satz: LST 3XL-	Embout & jeu de lien de direction : LST 3XL-	Set rinvio sterzo e tirante: LST 3XL-
LOS241022	Skid Plate Set, Fr/Rr: LST 3XL-	Gleitbrett Satz, Front/Heck: LST 3XL-	Lot de plaques de protection, AV/AR : LST 3XL-	Set protezione telaio, ant./post.: LST 3XL-
LOS241023	Top Plate Set, Fr/Rr: LST 3XL-E	Oberplatte Satz, Front/Heck: LST 3XL-E	Plaque de protection supérieure, AV/AR : LST 3XL-E	Set piastra superiore, ant./post.: LST 3XL-E
LOS241024	Mid Plate, Chassis: LST 3XL-E	Mittelplatte, Chassis: LST 3XL-E	Plaque intermédiaire, châssis : LST 3XL-E	Piastra intermedia, Telaio: LST 3XL-E
LOS241025	Servo Saver Tube, Spring & Adjuster: LST 3XL-E	Servo-Saver-Rohr, Feder & Einstellvorrich- tung: LST 3XL-E	Tube, ressort & réglage de sauve-servo : LST 3XL-E	Cannotto salvaservo, molla e regolatore: LST 3XL-E
LOS241026	Steering Post Set (2): LST 3XL-E	Lenksäule Satz (2): LST 3XL-E	Lot de colonnes de direction (2) : LST 3XL-E	Set montante sterzo (2): LST 3XL-E
LOS242019	TransCase&GearCover: LST 3XL-E	Trans Case & Getriebeabdeckung: LST 3XL-E	Boîte de transfert & couvercle d'engrenage : LST 3XL-E	Scatola trasmissione e coperchio ingra- naggi: LST 3XL-E
LOS242020	CompoundGear,16/40,Mod1,LST3XL-	Doppelgetriebe, 16/40, Mod1, LST3XL-	Engrenage composé, 16/40, mode 1, LST3XL-	Ingranaggio composto, 16/40, Mod1, LST3XL-
LOS242021	Heat Sink Motor Mount, LST 3XL-	Kühlkörpermotorlagerung, LST 3XL-	Support moteur pour dissipateur thermique, LST 3XL-	Supporto motore con dissipatore, LST 3XL-
LOS242022	AL Diff Case, Black: LST/2,3XL-	AL Diff Gehäuse, Schwarz: LST/2,3XL-	Boîtier de différentiel AL, noir : LST/2,3XL-	Scatola diff. alluminio, colore nero: LST/2,3XL-
LOS242023	Spur Gear, 54T, 1.0M, LST X3XL-	Stirnrad, 54T, 1.0M, LST X3XL-	Engrenage, 54 T, 1,0 M, LST X3XL-	Corona, 54T, 1,0M, LST X3XL-
LOS242024	Cntr DriveShaftAssm,Fr: LST3XL-	Baugruppe Zentrale Antriebswelle, Front: LST3XL-	Arbre d'entraînement central, avant : LST3XL	Gruppo albero di trasmissione centrale, ant.: LST3XL-
LOS242025	Cntr DriveShaftAssm,Rr: LST3XL-	Baugruppe Zentrale Antriebswelle, Heck: LST3XL-	Arbre d'entraînement central, arrière : LST3XL	Gruppo albero di trasmissione centrale, post.: LST3XL-
LOS242026	Capped Wheel Nut, 17mm,LST 3XL-E	Rad-Hutmutter, 17mm, LST 3XL-E	Écrou de roue avec capuchon, 17 mm, LST 3XL-E	Dado ruota con calotta, 17 mm, LST 3XL-E
LOS242027	LSD Differential Rebuild: LST 3XL-E	LSD Differential-Umbau: LST 3XL-E	Reconstruction du différentiel autobloquant : LST 3XL-E	Kit riparazione differenziale LSD: LST 3XL-E
LOS243006	ShckHrdwre,Plastics(2):LST 3XL-	Stoßd.-Hardware, Kunststoffteile (2):LST 3XL-	Matériel antichoc, plastique (2) : LST 3XL-	Accessori ammortizzatore, plastica (2):LST 3XL-
LOS243007	ShockCartridge&Seals(2):LST3XL-	Stoßdämpfer Kartusche & Dichtung (2): LST3XL-	Cartouche d'amortisseur & joints (2) : LST3XL-	Cartuccia ammortizzatore e guarnizioni (2):LST3XL-
LOS243008	ShockShft,Polished(2): LST3XL-E	Stoßdämpferwelle, poliert (2): LST3XL-E	Arbre antichoc, poli (2) : LST3XL-E	Alberino ammortizzatore, finitura lucida (2): LST3XL-E
LOS243009	Shock Body, Threaded, HA (2): LST 3XL-E	Stoßdämpfergehäuse, Gewinde, HA (2): LST 3XL-E	Corps antichoc, fileté, HA (2) : LST 3XL-E	Corpo ammortizzatore, filettato, HA (2): LST 3XL-E
LOS244002	Hinge Pin Brace Set, HA: LST 3XL-E	Scharnierstiftklammer Satz, HA LST 3XL-E	Lot d'axes de charnière, HA : LST 3XL-E	Set piastrine per perni braccetti, HA: LST 3XL-E
LOS246002	Servo Arm,Steering, 15T:LST 3XL-	Gestängeende, Lenkung Satz, 15T:LST 3XL-	Bras du servo, direction, 15 T : LST 3XL-	Braccio servocomando, sterzo, 15T: LST 3XL-
LOS44001	Wheel,17mm,Blk CR (2):LST 3XL-E	Rad, 17mm, Schwarz CR (2): LST 3XL-E	Roue, 17 mm, Blk CR (2) : LST 3XL-E	Ruota, 17 mm, colore nero CR (2): LST 3XL-E
LOSA3505	Diff Seal Set: 8B,8T,LST,XXL,MB	Differentialgetriebedichtung: 8B, 8T, LST, XXL, MB	Lot de joints pour différentiels : 8B,8T,LST,XXL,MB	Set guarnizioni diff.: 8B,8T,LST,XXL,MB
LOSA4002	Antenna Kit	Antennenbausatz	Kit d'antenne	Kit antenna
LOSA4003	Antenna Caps	Antennenkappen	Capuchons d'antenne	Cappucci antenna
LOSA6204	4-40 x 1/2 Socket Head Screw	4-40 x 1/2 Innensechskantschraube	Vis à pans creux 4-40 x 1/2	Vite a brugola 4-40 x 1/2
LOSA6206	4-40 x 3/8 SH Screws (10)	4-40 x 3/8 Innensechskantschraube (10)	Vis à pans creux 4-40 x 3/8 (10)	Viti a brugola 4-40 x 3/8 (10)
LOSA6216	4-40 x 7/8 Socket Head Screw	4-40 x 7/8 Innensechskantschraube	Vis à pans creux 4-40 x 7/8	Vite a brugola 4-40 x 7/8
LOSA6220	4-40 x 1/2 FH Screws (6)	4-40 x 1/2 FH Schrauben (6)	Vis à tête plate 4-40 x 1/2 (6)	Viti a testa piana 4-40 x 1/2 (6)
LOSA6227	Hardened Setscrews,4-40	Gehärtete Stellschrauben, 4-40	Vis de fixation trempée, 4-40	Grani induriti, 4-40
LOSA6228	Hardened Setscrews,5-40	Gehärtete Stellschrauben, 5-40	Vis de fixation trempée, 5-40	Grani induriti, 5-40
LOSA6233	4-40 x 5/8 FH Screws (10)	4-40 x 5/8 Flachkopfschrauben (10)	Vis à tête plate 4-40 x 5/8 (10)	Viti a testa piana 4-40 x 5/8 (10)
LOSA6241	5-40 x 5/8 Caphead Screw (8)	5-40 x 5/8 Inbusschrauben (8)	Vis d'assemblage creuses 5-40 x 5/8 (8)	Vite a testa cilindrica 5-40 x 5/8 (8)

REPLACEMENT PARTS // TEILELISTE // LISTE DES PIÈCES DE RECHANGE // ELENCO DEI RICAMBI

Part #	English	Deutsch	Français	Italiano
LOSA6242	5-40 x 1.25 Caphead Screw(4)	5-40 x 40 x 1,25 Inbusschraube (4)	Vis d'assemblage creuses 5-40 x 1,25 (4)	Vite a testa cilindrica 5-40 x 1,25 (4)
LOSA6244	King Pin Screws	Sattelzapfenschrauben	Vis pivot	Viti kingpin
LOSA6245	4-40x5/16 Button Head Screws:X	4-40x5/16 Rundkopfschrauben: X	Vis à tête bombée 4-40 x 5/16 : X	Viti a testa tonda 4-40 x 5/16: X
LOSA6247	2-56 x 3/4 Caphead Screws	2-56 x 3/4 Inbusschrauben	Vis d'assemblage creuses 2-56 x 3/4	Viti a testa cilindrica 2-56 x 3/4
LOSA6250	Set Screws, 4mm & 5mm (6ea)	Stellschrauben, 4mm & 5mm (6ea)	Vis de blocage, 4 mm & 5 mm (6ea)	Grani, 4 mm e 5 mm (6 cad.)
LOSA6256	4-40x 1/2 Button Head Cap Screw (6)	4-40x 1/2 Halbrundschraube (6)	Vis à tête bombée 4-40 x 1/2 (6)	Vite a testa tonda 4-40 x 1/2 (6)
LOSA6258	2-56x5/16 Flathead Screws (24)	2-56x5/16 Flachkopfschrauben (24)	Vis à tête plate 2-56 x 5/16 (24)	Viti a testa piana 2-56 x 5/16 (24)
LOSA6268	4-40 x 1 1/4 Flathead Screw (6) *	4-40 x 1 1/4 Flachkopfschraube (6) *	Vis à tête plate 4-40 x 1 1/4 (6)*	Vite a testa piana 4-40 x 1 1/4 (6) *
LOSA6271	5-40 x 1/2 FH Screws (10)	5-40 x 1/2 Flachkopfschrauben (10)	Vis à tête plate 5-40 x 1/2 (10)	Viti a testa piana 5-40 x 1/2 (10)
LOSA6279	5-40 x 3/4 BH Screws (8)	5-40 x 3/4 Rundkopfschrauben (8)	Vis à tête bombée 5-40 x 3/4 (8)	Viti a testa tonda 5-40 x 3/4 (8)
LOSA6287	4-40 x 1 1/4 Cap Head Screws (6)	4-40 x 1 1/4 Inbusschrauben (6) *	Vis d'assemblage creuses 4-40 x 1 1/4 (6)	Viti a testa cilindrica 4-40 x 1 1/4 (6)
LOSA6302	5-40 Locking Nuts,Steel	5-40 Sicherungsmuttern, Stahl	Écrou de blocage, acier 5-40	Dadi autobloccanti 5-40, acciaio
LOSA6308	4-40 Steel Locking 1/2 Nuts (10)	4-40 Stahlsicherung 1/2-Mutter (10)	Écrou de blocage 1/2, acier, 4-40 (10)	Dadi autobloccanti 4-40 1/2 (10)
LOSA6350	#4 and 1/8 Hardened Washers	#4 und 1/8 gehärtete Unterlegscheiben	Rondelles renforcées #4 et 1/8	Rondelle indurite #4 e 1/8
LOSA6939	6x10mm Ball Bearing (4)	6x10mm Kugellager (4)	Roulement à billes 6 x 10 mm (4)	Cuscinetto a sfera 6x10 mm (4)
LOSA6942	8x16mm Sealed Ball Bearing (4)	8x16mm abgedichtetes Kugellager (4)	Roulement à billes hermétique 8 x 16 mm (4)	Cuscinetto a sfera sigillato 8x6 mm (4)
LOSA6944	15x21x4 Shielded BB(2)	15x21x4 abgeschirmtes Kugellager (2)	Roulement à billes blindé 15 x 21 x 4 (2)	Cuscinetto a sfera schermato 15x21x4 (2)
LOSB2035	Fr/R Suspension Arms:XXL/2, LST2	Front/Heck Querlenker: XXL/2, LST2	Bras de suspension AV/AR : XXL/2, LST2	Braccetti sospensioni ant./post.: XXL/2, LST2
LOSB2104	Carriers & Spindles (Pr):LST2,XXL/2	Träger & Spindeln (Pr): LST2, XXL/2	Support & axe (Pr) : LST2 XXL/2	Fuselli e portafuselli (Pr): LST2,XXL/2
LOSB2106	Rear Hubs Carriers (Pr):LST2,XXL2	Hinterradabenträger (Pr): LST2, XXL2	Porte-moyeux arrière (Pr) : LST2, XXL2	Portamozzi posteriori (Pr): LST2,XXL2
LOSB2151	F/R Shock Tower w/ PinMounts:LST,AFT	Front/Heck Stoßdämpferbrücke mit Verbindungsstiften: LST, AFT	Tour d'amortisseur avec supports de broches AV/AR : LST, AFT	Torretta ammortizzatore ant./post. con montante perno: LST,AFT
LOSB2249	LST Series Wheelie Bar	LST Serie Wheelie-Stange	Barre de cabré série LST	Wheelie Bar serie LST
LOSB2257	R&LBulkheadsDiffRet,LST,AFT,MUG G,MGB	R&L Spundwände Diff FRet, LST, AFT, MUG, MGB	Cloison droite et gauche, maintien de différentiel, LST, AFT, MUG, MGB	Fermo diff. paratie dx e sx, LST,AFT,MUG,MGB
LOSB2401	F/RBumpers&Braces:LST/2,XXL/2	Front/Heck Stoßstangen & Verstrebungen: LST/2, XXL/2	Pare-chocs & entretoise AV/AR : LST/2, XXL/2	Staffe e paraurti ant./post.: LST/2,XXL/2
LOSB2450	F/RBodyMntPst&HDW:LST/2,AFT,MUG	Front/Heck Gehäuse MntPst&HDW: LST/2, AFT, MUG	Support de carrosserie AV/AR & HDW : LST/2, AFT, MUG	Colonnine carrozzeria ant./post. e accessori: LST/2,AFT,MUG
LOSB3520	F/R CV Drive Shaft Set:LST2,XXL/2	Front/Heck CV Antriebswelle Satz: LST2, XXL/2	Lot d'arbres de transmission CV AV/AR : LST2, XXL/2	Set albero di trasmissione CV ant.post.: LST2,XXL/2
LOSB3521	F/R Drive Shaft: LST2, XXL/2	Front/Heck Antriebswelle: LST2, XXL/2	Arbre de transmission AV/AR : LST2, XXL/2	Albero di trasmissione ant./post.: LST2, XXL/2
LOSB3522	F/R Axle: LST2, XXL/2	Front/Heck Achse LST2, XXL/2	Essieu AV/AR : LST2, XXL/2	Asse ant./post.: LST2, XXL/2
LOSB3523	CV DriveshaftRebuild Set:LST2,XXL/2	CV Umbau Antriebswelle Satz:LST2,XXL/2	Reconstruction d'arbre de transmission CV AV/AR : LST2, XXL/2	Set riparazione albero di trasmissione CV: LST2,XXL/2
LOSB3528	Heavy-DutyDiffCase: 8/8T/LST/XXL/2	Schwerlast-Differentialgetriebegehäuse: 8/8T/LST/XXL/2	Boîtier de différentiel résistant : 8/8T/LST/XXL/2	Scatola differenziale Heavy Duty: 8/8T/LST/XXL/2
LOSB3534	F/R Diff Ring&Pinion:LST2,XXL/2	Front/Heck Diff. Ring & Getrieberad: LST/2, XXL/2	Anneau de différentiel & pignon AV/AR : LST/2, XXL/2	Pignone e anello diff. ant./post.: LST/2,XXL/2
LOSB3538	F/RDiffBvlGearSet:LST/2,AFT,MUG ,MGB	Front/Heck Diff. Bvl Getriebe Satz: LST/2, AFT, MUG, MGB	Train d'atterrissage, différentiel BVL AV/AR : LST/2, AFT, MUG, MGB	Set ingranaggi conici diff. ant./post.: LST/2,AFT,MUG,MGB
LOSB3540	F/RDiffOutdriveSt:LST/2,AFT,MUG, MGB	Front/Heck Diff. Flexwelle St: LST/2, AFT, MUG, MGB	Lot de sorties de différentiel AV/AR : LST/2, AFT, MUG, MGB	Set trascinatore diff. ant./post.: LST/2,AFT,MUG,MGB
LOSB3951	Differential Shims, 13mm:LST2,XXL/2	Differentialgetriebe Distanzscheiben, 13mm: LST2, XXL/2	Cales de différentiel, 13 mm : LST2, XXL/2	Spessori differenziale, 13 mm: LST2,XXL/2
LOSB4104	Outer Pivot Pin Set(4):LST2/XXL/2	Äußerer Drehzapfen Satz (4): LST2/XXL/2	Lot de broches de pivot extérieur (4) : LST2/XXL/2	Set perno girevole esterno (4): LST2/XXL/2
TLR235001	5-40 x 3/8 Cap Head Screws (4)	5-40 x 3/8 Inbusschrauben (4)	Vis d'assemblage creuses 5-40 x 3/8 (4)	Viti a testa cilindrica 5-40 x 3/8 (4)
TLR245002	5-40 x 1/4 BH Screws (10)	5-40 x 1/4 Rundkopfschrauben (10)	Vis à tête bombée 5-40 x 1/4 (10)	Viti a testa tonda 5-40 x 1/4 (10)
TLR255004	Cap Head Screws, M2.5x8mm (10)	Inbusschrauben, M2,5x8mm (10)	Vis d'assemblage creuses, M2,5 x 8 mm (10)	Viti a testa cilindrica, M2,5 x 8 mm (10)
TLR255014	Flat Head Screws, M4x20mm (10)	Flachkopfschrauben, M4x20mm (10)	Vis à tête plate, M4 x 20 mm (10)	Viti a testa piana, M4 x 20 mm (10)
TLR255032	Setscrew, Cup Point, M5x6mm (10)	Stellschraube, Ringschneide, M5x6mm (10)	Vis de fixation, bout cuvette, M5 x 6 mm (10)	Grano, punta bombata, M5 x 6 mm (10)
TLR5902	Button Hd Screws, M3 x 8mm (10)	Rundkopfschraube, M3 x 8mm (10)	Vis à tête bombée, M3 x 8 mm (10)	Viti a testa tonda, M3 x 8 mm (10)
TLR5963	Flathead Screw, M3 x 12mm (10)	Flachkopfschraube, M3 x 12mm (10)	Vis à tête plate, M3 x 12mm (10)	Viti a testa piana, M3 x 12 mm (10)
TLR6105	E-Clips, 3mm Shaft (12)	E-Clips, 3mm Welle (12)	Clip en e, arbre de 3 mm (12)	E-Clip, albero da 3 mm (12)
TLR6291	Setscrew, M5 x 4mm, Flt Pnt (10)	Stellschraube, M5 x 4mm (10)	Vis de fixation, M5 x 4 mm, point plat (10)	Grano, M5 x 4 mm, punta piana (10)
TLR8202	Body Clips, Black (12): 22	Gehäuseklappen, schwarz (12): 22	Clips pour fixer la carrosserie, noir (12) : 22	Clip carrozzeria, colore nero (12): 22
DYNS2631	FUZE 150a Sensorless BL WP ESC: 3-6s	FUZE 150a Sensorlose BL WP ESC 3-6s	Variateur ESC Fuze 150a BL WP sans capteur : 3-6 s	FUZE ESC 150A brushless resistente all'acqua senza sensori: 3-6s

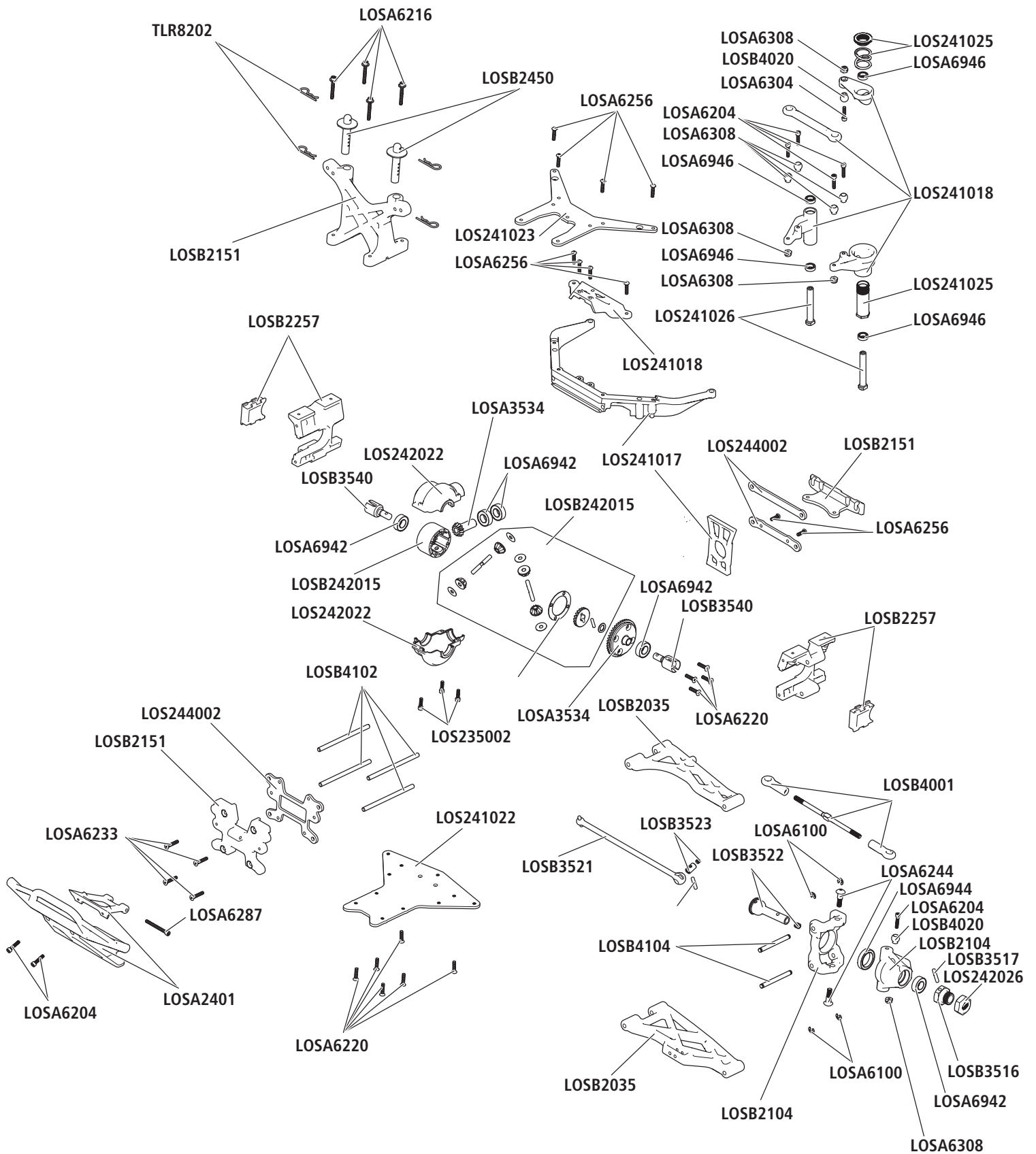
REPLACEMENT PARTS // TEILELISTE // LISTE DES PIÈCES DE RECHANGE // ELENCO DEI RICAMBI

Part #	English	Deutsch	Français	Italiano
DYNS1631	Fuze 1/8 4P BL Motor 2200kv: LST 3XL-E	Fuze™ 1/8 4P BL Motor 2200kv: LST 3XL-E	Moteur Fuze 2200 kV BL 4P 1/8 LST 3XL-E	Fuze Motore brushless 4P 1/8 2200 kv: LST 3XL-E
SPM2335	DX2e Active 2Ch Surface Radio	DX2e Active 2Ch Surface Radio	Émetteur DX2e Active 2 voies	DX2e Active 2Ch Surface Radio
SPMS904	18KG WP 1/5th Scale Servo	18KG WP 1/5 Maßstab Servo	Servo à l'échelle 1/5° 18KG WP	Servocomando scala 1:5 18 kg resistente all'acqua (SPMS904)
SPM-SRS6000	SRS6000 DSMR AVC Surface Receiver	SRS6000 DSMR AVC Surface Receiver	SRS6000 DSMR AVC Surface Receiver	SRS6000 DSMR AVC Surface Receiver
LOS242004	Pinion Gear, 22T, 1.0M, 5mm Shaft	Zahnradgetriebe, 22T, 1,0M, 5mm Welle	Engrenage à pignons, arbre de 22 T, 1,0 M, 5 mm	Pignone, 22T, 1.0M, albero da 5 mm

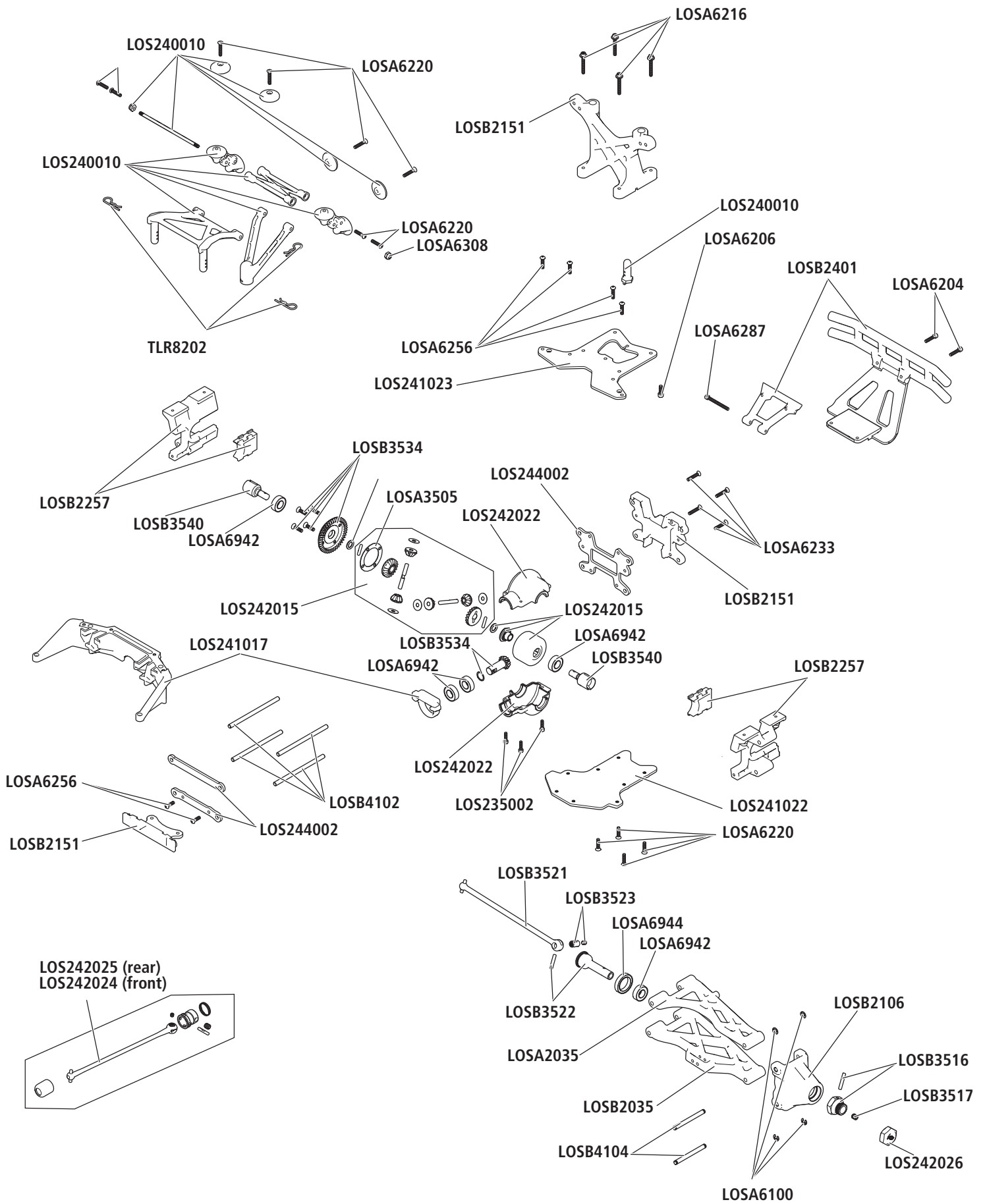
OPTIONAL PARTS // OPTIONALE TEILE // PIÈCES OPTIONNELLES // PARTI OPZIONALI

Part #	English	Deutsch	Français	Italiano
DYNB3855EC	HD7.6V5000mAh2S50CLiPoCase:EC5	HD7.6V5000mAh2S50CLiPoCase:EC5	Boîtier de batterie Li-Po HD 7,6 V 5000 mAh 2S 50 C : EC5	Case batteria LiPo HD 7,6 V 5000 mAh 2S 50C: EC5
DYNB3856EC	HD11.4V 5000mAh 3S 50C LiPoCase:EC5	HD11.4V 5000mAh 3S 50C LiPoCase:EC5	Boîtier de batterie Li-Po HD 11,4 V 5000 mAh 3S 50 C : EC5	Case batteria LiPo HD 11,4 V 5000 mAh 3S 50 C: EC5
LOS340000	BodySet w/mask, Clear: LST3XL-E	Gehäuse Satz mit Maske, farblos: LST3XL-E	Carrosserie avec masque, clair : LST3XL-E	Set carrozzeria con maschera, trasparente: LST3XL-E
LOS343000	ShockCap,Al,Blk (2): LST/2,3XL-	Stoßkappe, Al, schwarz (2): LST/2,3XL-	Capuchon antichoc, Al, Blk (2) : LST/2,3XL-	Tappo ammortizzatore, alluminio, colore nero (2): LST/2,3XL-
LOS344000	Fr Spindle Set, Alum:LST2, XXL/E	Front Spindel Set, Alum: LST2, XXL/E	Lot d'axes avant, aluminium : LST2, XXL/E	Set fusello ant.: LST2, XXL/E
SPM5000	DX5R 5CH DSMR Tx w/SR6000T	DX5R 5CH DSMR Tx w/SR6000T	DX5R 5CH DSMR Tx avec SR6000T	Radiocomando DX5R 5CH DSMR con SR6000T
SPM6740	Optional Speedometer DX2E	Optional Tachometer DX2E	Compteur de vitesse facultatif DX2E	Tachimetro opzionale DX2E
SPM6741	Optional Bluetooth Module DX2E	Optional Bluetooth-Modul DX2E	Module Bluetooth facultatif DX2E	Modulo Bluetooth opzionale DX2E
SPM6742	TM1500 Telemetry Module	TM1500 Telemetriemodul	Module de télémétrie TM1500	Modulo telemetria TM1500
SPM6743	Spektrum DX2E Active Speedometer Bundle	Spektrum DX2E Active Tachometer-Bündel	Lot de compteurs de vitesse Spektrum DX2E Active	Bundle tachimetro Spektrum DX2E Active
SPM6744	Spektrum DX2E Active Dashboard Bundle	Spektrum DX2E Active Armatur-Bündel	Lot de tableaux de bord Spektrum DX2E Active	Bundle cruscotto Spektrum DX2E Active
SPM6745	DX2E Active Phone Mount	DX2E Active Telefonhalterung	Support de téléphone DX2E Active	Supporto telefono DX2E Active
LOS242007	Pinion Gear, 19T, 1.0M, 5mm Shaft	Zahnradgetriebe, 19T, 1,0M, 5mm Welle	Engrenage à pignons, arbre de 19 T, 1,0 M, 5 mm	Pignone, 19T, 1.0M, albero da 5 mm
LOS242008	Pinion Gear, 20T, 1.0M, 5mm Shaft	Zahnradgetriebe, 20T, 1,0M, 5mm Welle	Engrenage à pignons, arbre de 20 T, 1,0 M, 5 mm	Pignone, 20T, 1.0M, albero da 5 mm
LOS242009	Pinion Gear, 21T 1.0M, 5mm Shaft	Zahnradgetriebe, 21T, 1,0M, 5mm Welle	Engrenage à pignons, arbre de 21 T, 1,0 M, 5 mm	Pignone, 21T 1.0M, albero da 5 mm
LOS242010	Pinion Gear, 23T, 1.0M, 5mm Shaft	Zahnradgetriebe, 23T, 1,0M, 5mm Welle	Engrenage à pignons, arbre de 23 T, 1,0 M, 5 mm	Pignone, 23T, 1.0M, albero da 5 mm
LOS242003	Pinion Gear, 24T, 1.0M, 5mm Shaft	Zahnradgetriebe, 24T, 1,0M, 5mm Welle	Engrenage à pignons, arbre de 24 T, 1,0 M, 5 mm	Pignone, 24T, 1.0M, albero da 5 mm
LOS242011	Pinion Gear, 25T, 1.0M 5mm Shaft	Zahnradgetriebe, 25T, 1,0M, 5mm Welle	Engrenage à pignons, arbre de 25 T, 1,0 M, 5 mm	Pignone, 25T, 1.0M, albero da 5 mm

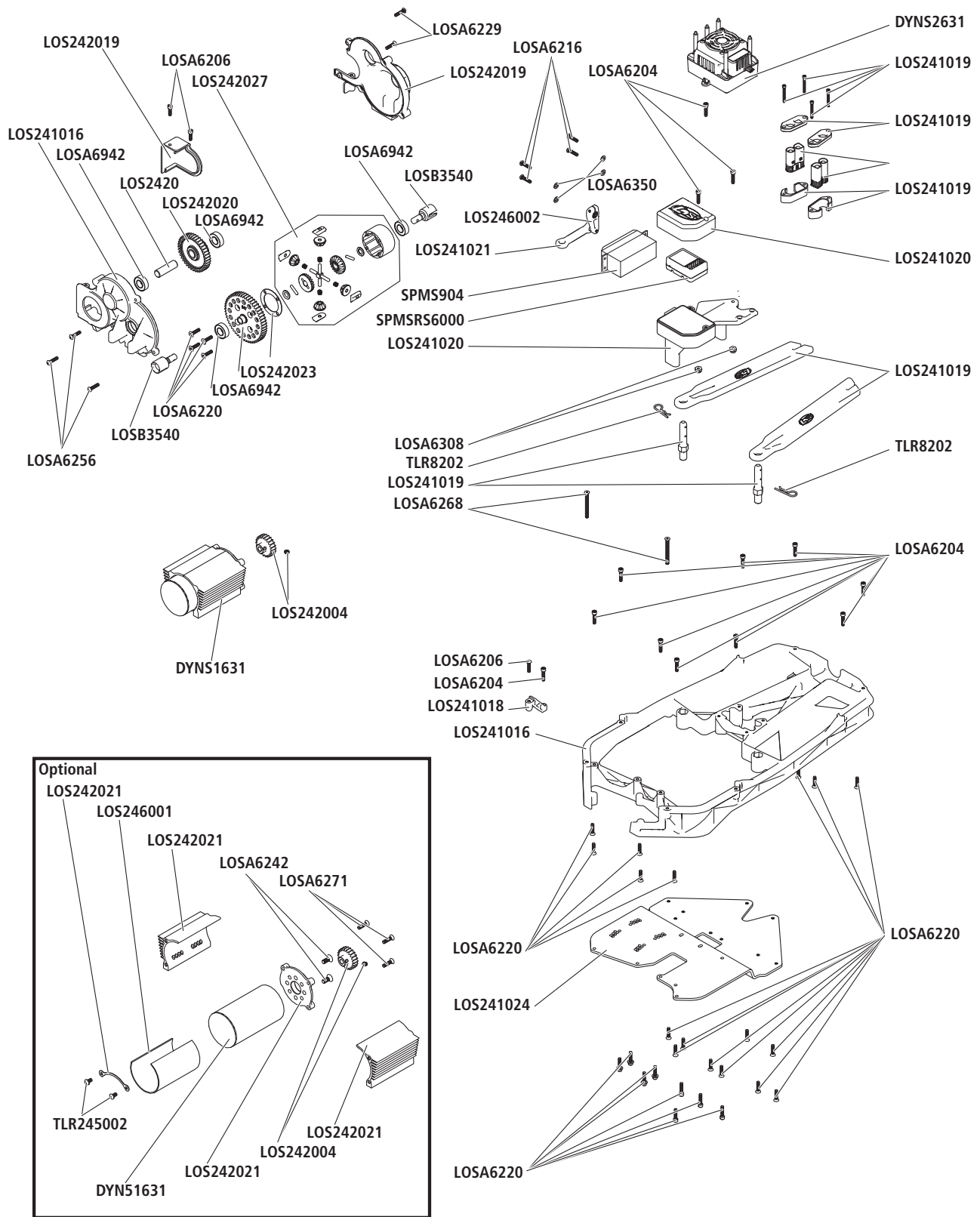
EXPLODED VIEW // EXPLOSIONSZEICHNUNG // VUE ÉCLATÉE DES PIÈCES // VISTA ESPLOSA DELLE PARTI



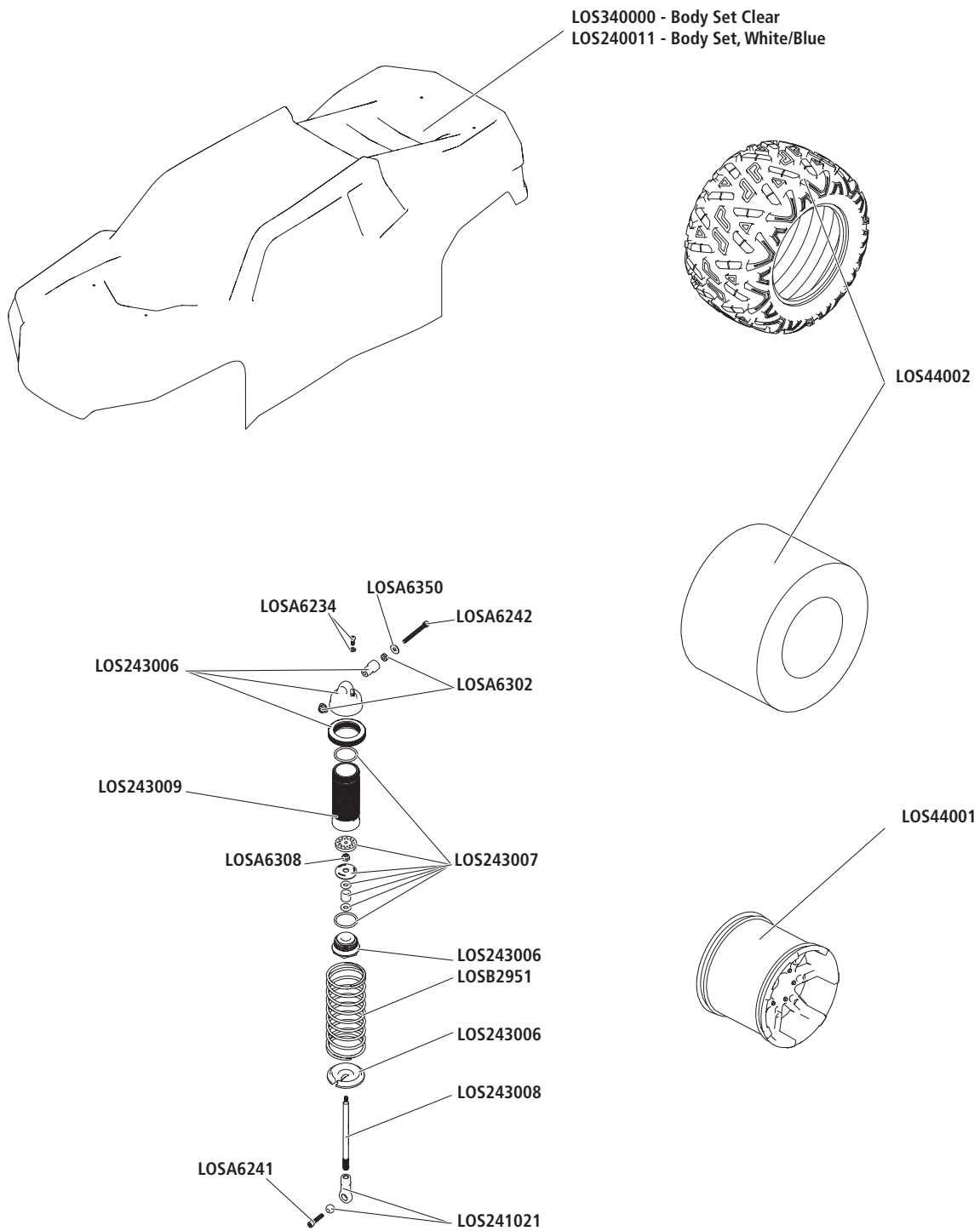
EXPLODED VIEW // EXPLOSIONSZEICHNUNG // VUE ÉCLATÉE DES PIÈCES // VISTA ESPLOSA DELLE PARTI



EXPLODED VIEW // EXPLOSIONSZEICHNUNG // VUE ÉCLATÉE DES PIÈCES // VISTA ESPLOSA DELLE PARTI



EXPLODED VIEW // EXPLOSIONSZEICHNUNG // VUE ÉCLATÉE DES PIÈCES // VISTA ESPLOSA DELLE PARTI





WWW.LOSI.COM

©2017 Horizon Hobby, LLC.

Losi, LST 3XL-E, DSM, DSM2, DSMR, Active, AVC, Active Vehicle Control, EC3, Dynamite, Fuze, Passport, Prophet and the Horizon Hobby logo are trademarks or registered trademarks of Horizon Hobby, LLC. The Spektrum trademark is used with permission of Bachmann Industries, Inc. US 9,320,977. US 8,079,929. M355740. I436811.

Created 08/17

54246

LOS04015