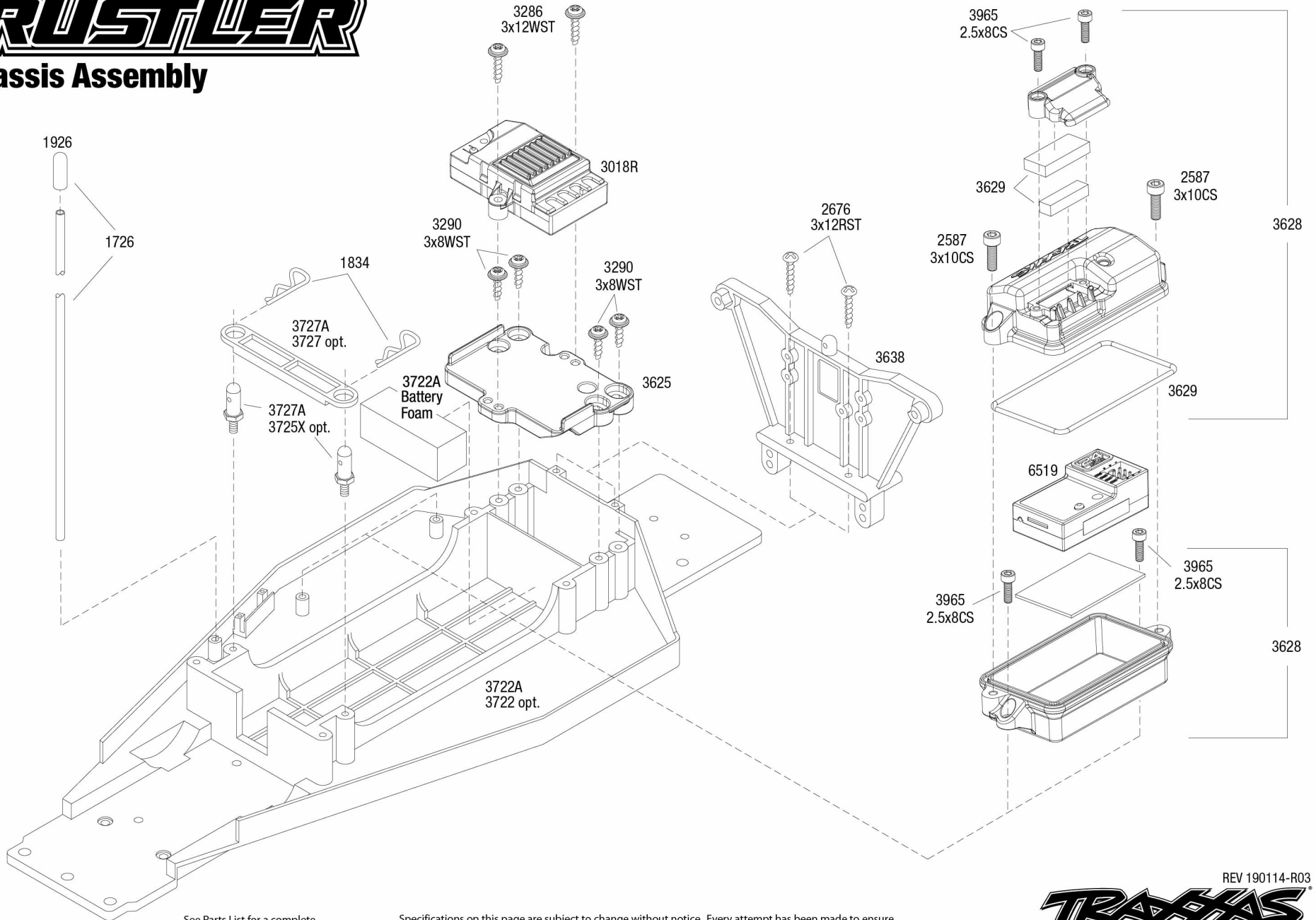


# RUSTLER

## Chassis Assembly

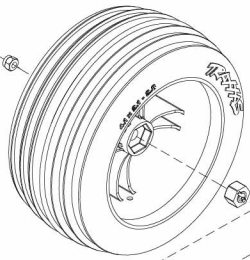


See Parts List for a complete listing of optional accessories.

Specifications on this page are subject to change without notice. Every attempt has been made to ensure the accuracy of this drawing; however, Traxxas cannot be held responsible for typographical or other errors.

4,ONL  
3647  
1747R opt.  
1747G opt.  
1747P opt.

3771  
3771A opt.  
3776A opt.  
5576R opt.



3654

2593  
3x14 BCS

8361

3760A  
2660 opt.

2742

3632  
3632A opt.  
3632X opt.  
3632G opt.  
3632P opt.

3740  
31.5mm

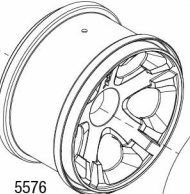
3739  
24mm

2563  
3x15RM

2735  
2735P

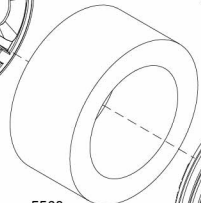
2548  
4x12cm

3654



5576  
5576A opt.  
3673 opt.  
3675 opt.

5563



5563  
5578 opt.

4,ONL  
3647  
1747R opt.  
1747G opt.  
1747P opt.

3186  
3x12WM

2742

3139  
62mm

3186  
3x12WM

2742

1914

1834

3x10WST

1834

3x10WST

3187  
3x15WM

2742

3290  
3x8WST

3186  
3x12WM

2742

2537 28mm  
Threaded rod

2675  
3x10RST

3744

3290  
3x8WST

2745  
3.ONL

2056  
2075 opt.

3290  
3x8WST

1985  
5x8x0.5TW

3743  
3743X opt.  
3743A opt.  
3743P opt.  
6845X opt.

3742

2746  
3x6MW

2545  
5x8x2.5PB  
5114 opt.

3743  
3743X opt.  
3743A opt.  
3743P opt.  
6845X opt.

2545  
5x8x2.5PB  
5114 opt.

2746  
3x6MW

2746  
3x6MW

3742  
3x30  
SS

2742

3186  
3x12WM

2742

2362

3767

F-2458A  
2458P opt.  
R-3757X  
3757P opt.

2362

3768

1942  
2742X

2649  
3x12CST

3723A  
3723 opt.

3167  
4x15CM

2530A  
(Shown for Clarity)

3722A  
3722 opt.

8361

8361

1765  
E  
3768  
E

Limiter,  
Rear only

F-1664  
1664T opt.  
R-2656  
2656T opt.

3769

F-3765A  
R-3766A

3768

Use #1666 silicone  
shock oil

REV 190114-R03

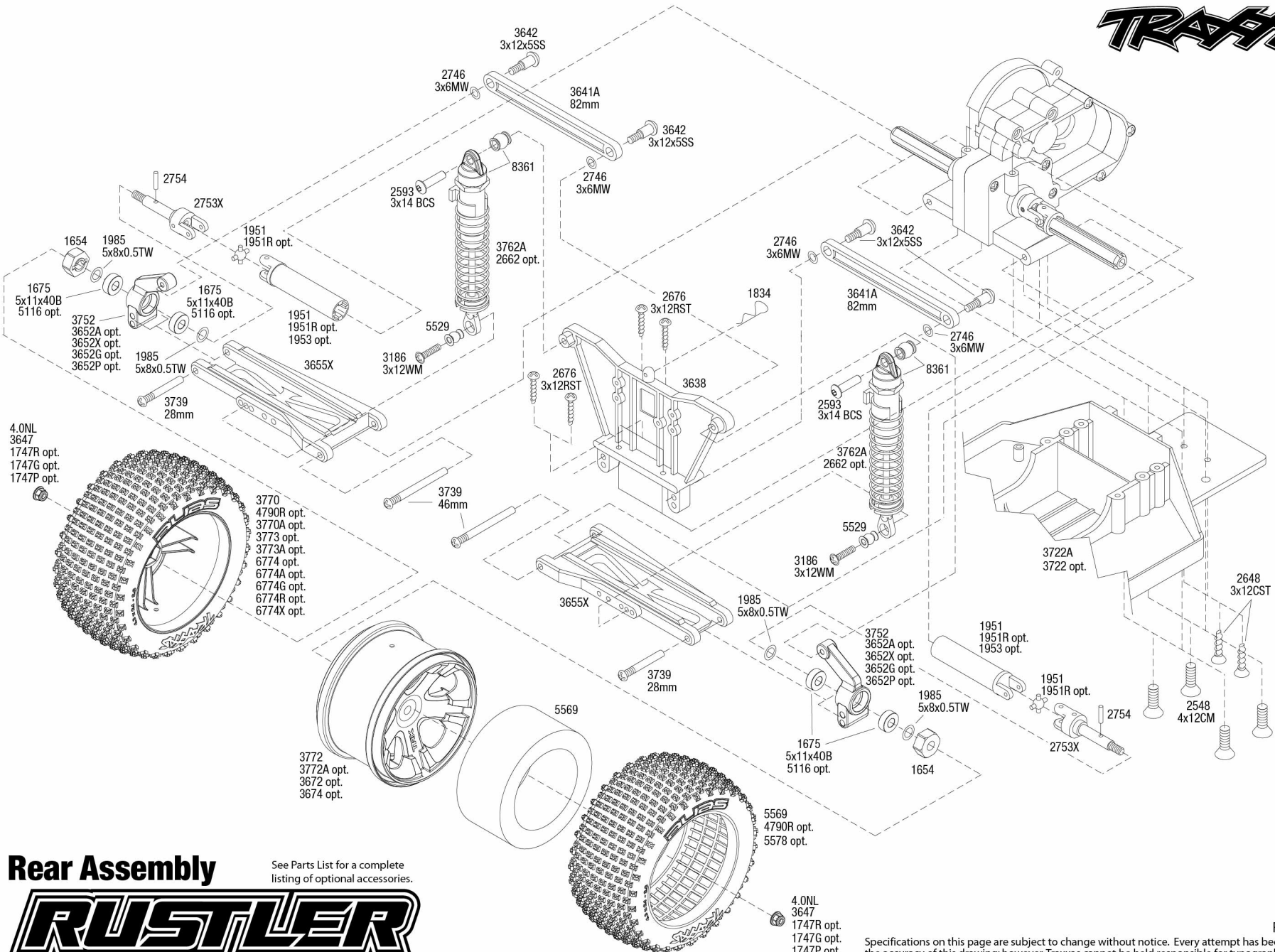


Specifications on this page are subject to change without notice. Every attempt has been made to ensure the accuracy of this drawing; however, Traxxas cannot be held responsible for typographical or other errors.

See Parts List for a complete listing of optional accessories.

Front Assembly





## Rear Assembly



See Parts List for a complete listing of optional accessories.

4.0NL  
3647  
1747R opt.  
1747G opt.  
1747P opt.

1675  
5x11x40B  
5116 opt.

3752  
3652A opt.  
3652X opt.  
3652G opt.  
3652P opt.

1985  
5x8x0.5TW

1675  
5x11x40B  
5116 opt.

1985  
5x8x0.5TW

3739  
28mm

1951  
1951R opt.  
1953 opt.

3655X

3739  
46mm

3770  
4790R opt.  
3770A opt.  
3773 opt.  
3773A opt.  
6774 opt.  
6774A opt.  
6774G opt.  
6774R opt.  
6774X opt.

3772  
3772A opt.  
3672 opt.  
3674 opt.

3655X

3739  
28mm

5569  
4790R opt.  
5578 opt.

4.0NL  
3647  
1747R opt.  
1747G opt.  
1747P opt.

3186  
3x12WM

2676  
3x12RST

3638

1834

2676  
3x12RST

3638

1951  
1951R opt.  
1953 opt.

2593  
3x14 BCS

3762A  
2662 opt.

8361

2746  
3x6MW

3642  
3x12x5SS

3641A  
82mm

3642  
3x12x5SS

2746  
3x6MW

2746  
3x6MW

3642  
3x12x5SS

3641A  
82mm

2746  
3x6MW

2593  
3x14 BCS

3762A  
2662 opt.

8361

5529

3186  
3x12WM

1985  
5x8x0.5TW

3752  
3652A opt.  
3652X opt.  
3652G opt.  
3652P opt.

1985  
5x8x0.5TW

1675  
5x11x40B  
5116 opt.

1654

1951  
1951R opt.  
1953 opt.

1951  
1951R opt.

2753X

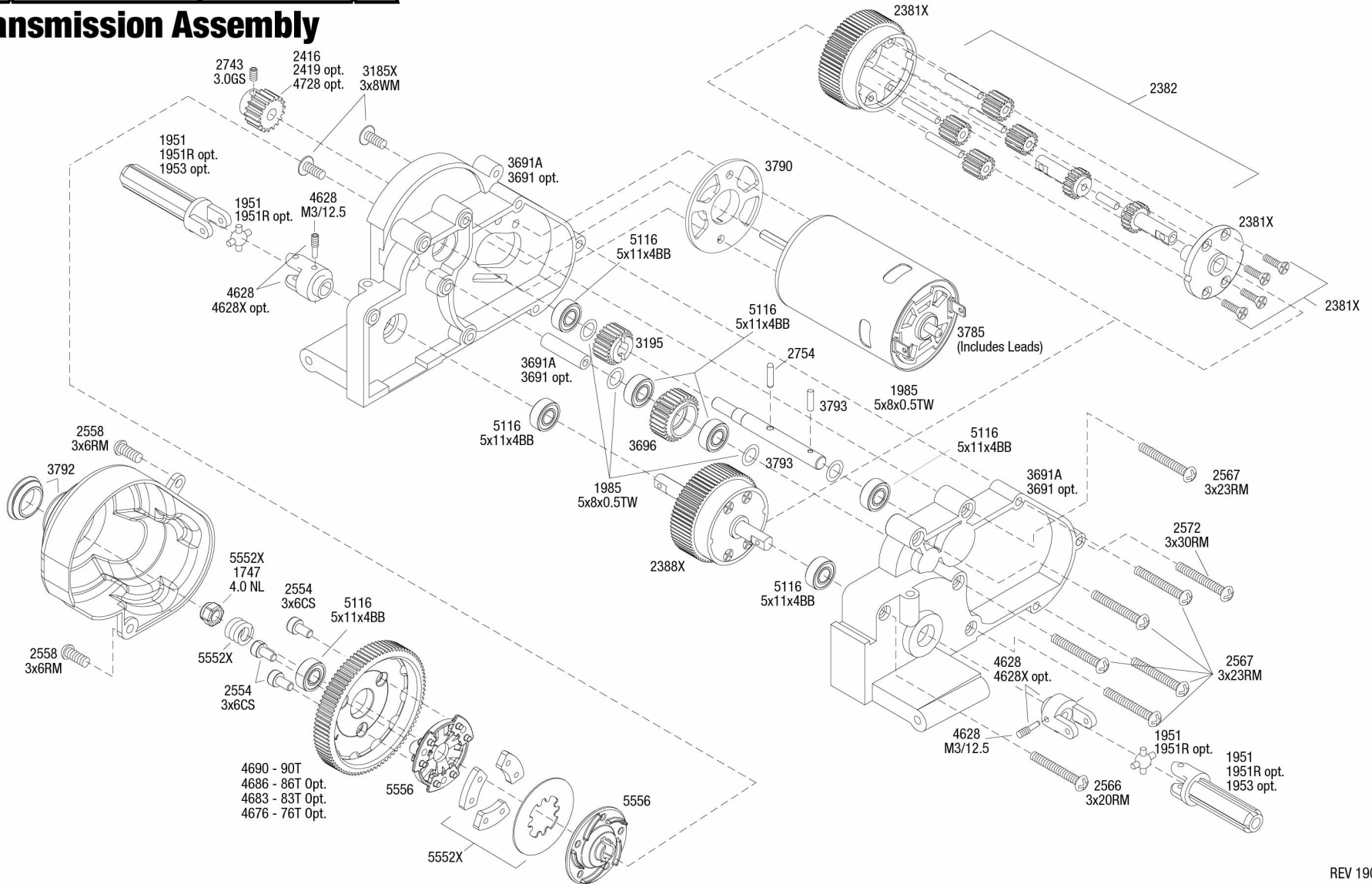
3722A  
3722 opt.

2648  
3x12CST

2548  
4x12CM

# RUSTLER

## Transmission Assembly



See Parts List for a complete listing of optional accessories.

REV 190114-R03  
**TRAXXAS**  
 Specifications on this page are subject to change without notice. Every attempt has been made to ensure the accuracy of this drawing; however, Traxxas cannot be held responsible for typographical or other errors.