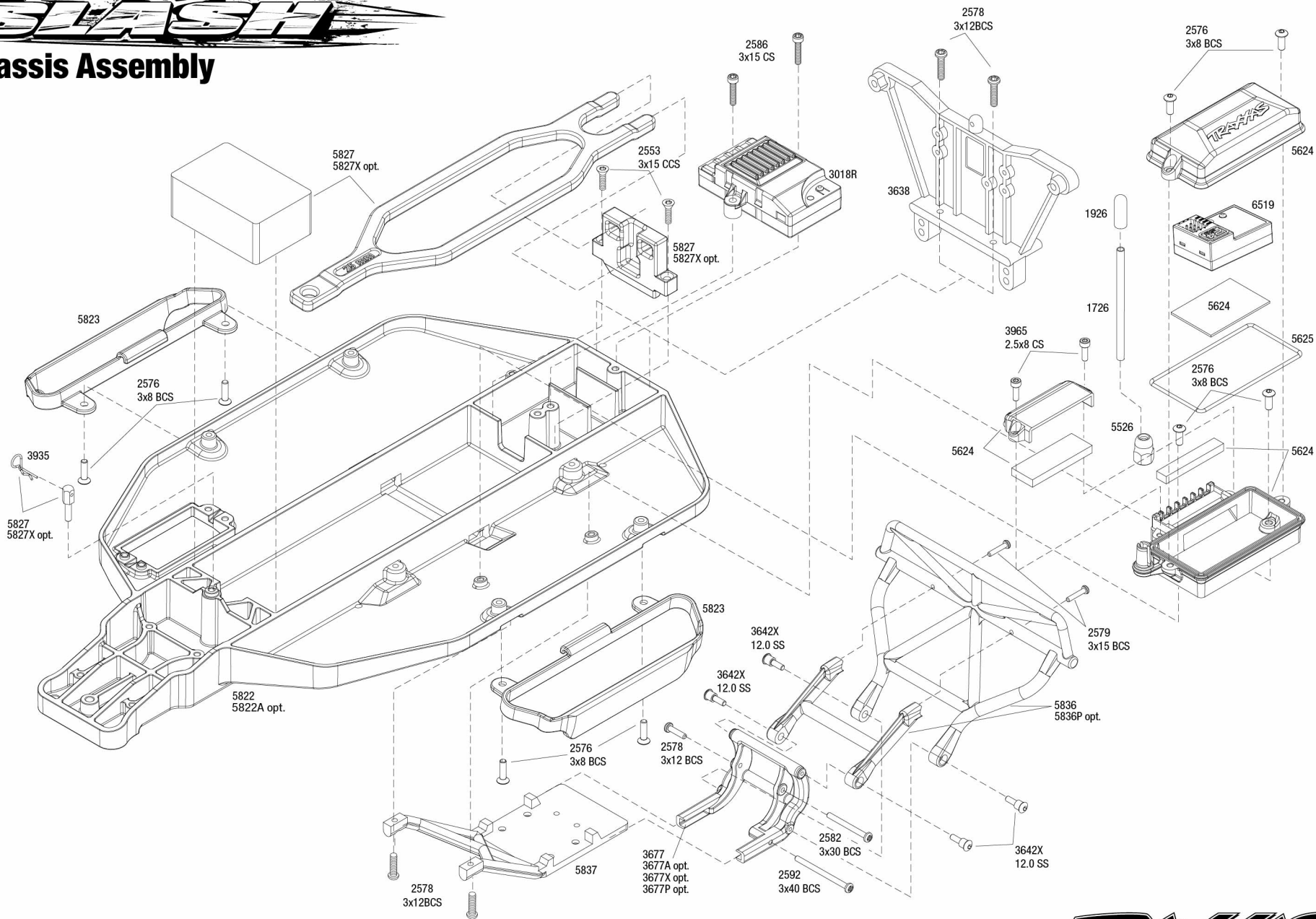




Chassis Assembly



REV 171005-R09

Specifications on this page are subject to change without notice. Every attempt has been made to ensure the accuracy of this drawing; however, Traxxas cannot be held responsible for typographical or other errors.

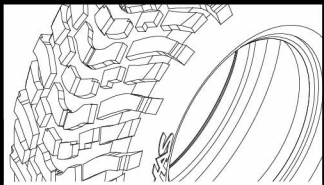
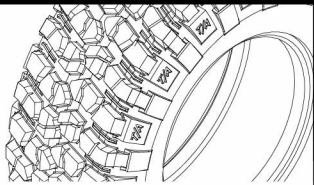
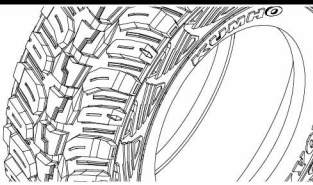
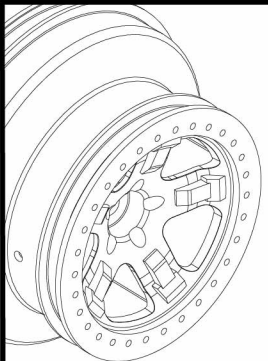
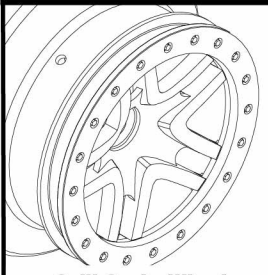
See Parts List for a complete listing of optional accessories.





Wheel and Tire Chart

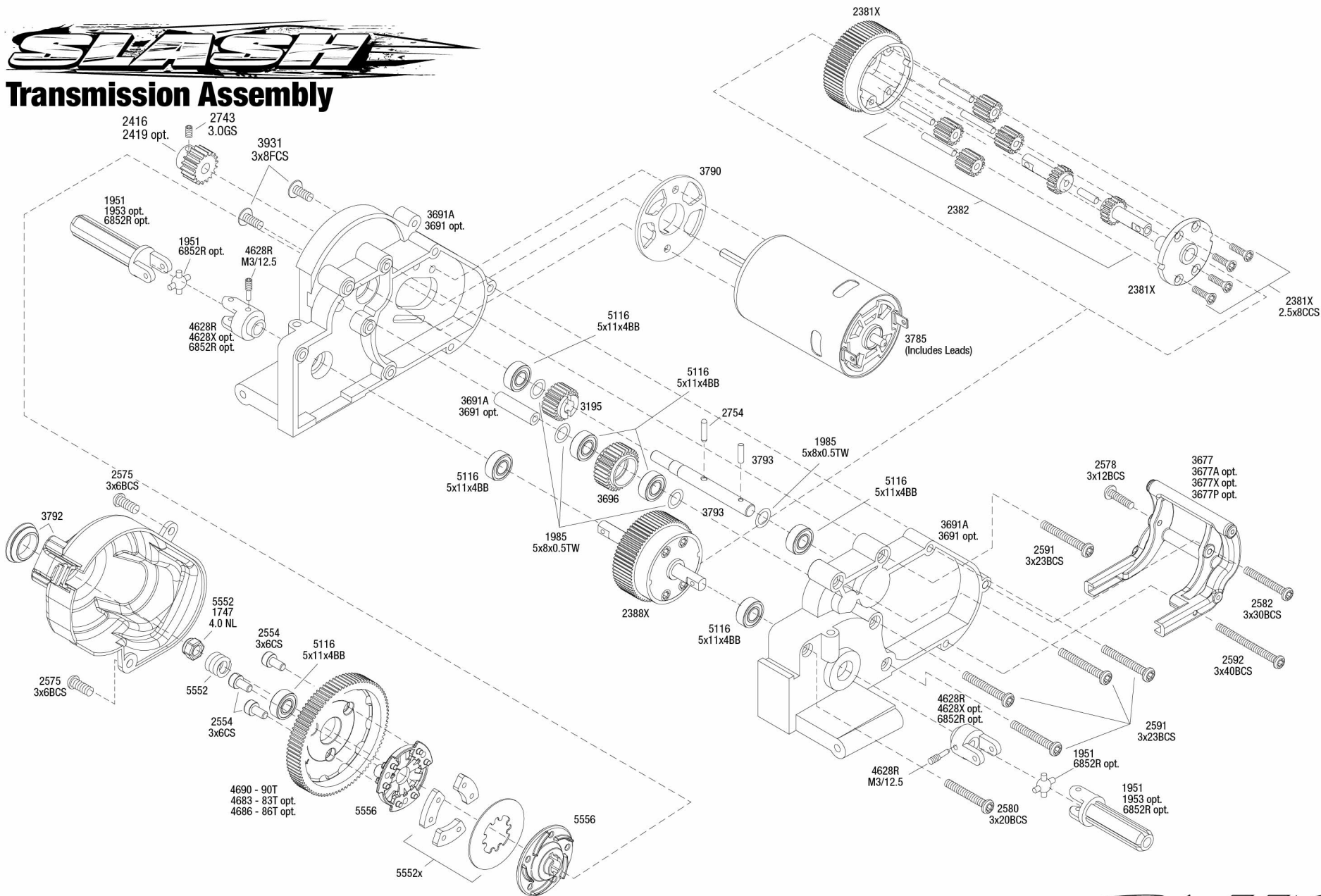


		 Traxxas SCT Tires with Foam Inserts		 BFGoodrich® Mud Terrain™ T/A® Tires with Foam Inserts		 Kumho Road Venture MT tires with Foam Inserts		
		5871	<i>S1 Ultra-Soft Racing Compound</i> 5871R	6871	<i>S1 Ultra-Soft Racing Compound</i> 6871R	6870	<i>S1 Ultra-Soft Racing Compound</i> 6870R	
Wheels*		Assembled Wheels and Tires		Assembled Wheels and Tires		Assembled Wheels and Tires		
 Traxxas SCT Wheels	Satin Beadlock/ Satin Wheel - Slash Rear or Slash 4X4 Front/Rear	5872	5873†	-	-	-	-	
	Satin Beadlock/ Satin Wheel - Slash Front	5874	5875	-	-	-	-	
	Red Beadlock/ Satin Wheel - Slash Rear or Slash 4X4 Front/Rear	5872A	5873A	5873R	=	=	=	
	Red Beadlock/ Satin Wheel - Slash Front	5874A	5875A	5875R	-	-	-	
	Black Beadlock/ Satin Wheel - Slash Rear or Slash 4X4 Front/Rear	5872X	5873X	-	5878	-	5880X	
	Black Beadlock/ Satin Wheel - Slash Front	5874X	5875X	-	5879	-	5881X	
	Red Beadlock/ Chrome Wheel - Slash Rear or Slash 4X4 Front/Rear	5868	-	-	5867	-	-	
	Red Beadlock/ Chrome Wheel - Slash Front	5870	-	-	5869	-	-	
	Green Beadlock/ Chrome Wheel - Slash Front	5866	-	-	5865	-	-	
	Green Beadlock/ Chrome Wheel - Slash Rear or Slash 4X4 Front/Rear	6875	-	-	6876	-	-	
 Split Spoke Wheels	Orange Beadlock/ Black Wheel - Slash Front	5870X	5864	-	-	-	-	
	Orange Beadlock/ Black Wheel -Slash Rear or Slash 4X4 Front/Rear	5868X	5863†	-	-	-	-	
	Black Beadlock/ Satin Wheel - Slash Rear or Slash 4X4 Front/Rear	6872	-	-	6873†	6873X	6874	6874R
	Black Beadlock/ Satin Wheel - Slash Front	5876	-	-	5877	-	5882	5882R
	Red Beadlock/ Chrome Wheel - Slash Rear or Slash 4X4 Front/Rear	6872A	-	-	6873A	6873R	-	-
	Red Beadlock/ Chrome Wheel - Slash Front	5876A	-	-	5877A	5877R	-	-
	Green Beadlock/ Chrome Wheel - Slash Rear or Slash 4X4 Front/Rear Front	6872X	-	-	-	-	-	-
	Satin Beadlock/ Black Wheel - Slash Front	5886	-	-	5885	-	-	-
	Satin Beadlock/ BlackWheel - Slash Rear or Slash 4X4 Front/Rear	5884	-	-	5883	-	-	-
	Blue Beadlock/ Black Wheel - Slash Front	5886A	-	-	5885A	-	-	-
Blue Beadlock/ Black Wheel - Slash Rear or Slash 4X4 Front/Rear	5884A	-	-	5883A	-	-	-	

* Wheels and/or tires sold in pairs
†TSM rated



Transmission Assembly



REV 171005-R09
See Parts List for a complete
listing of optional accessories.



Specifications on this page are subject to change without notice. Every attempt has been made to ensure the accuracy of this drawing,; however, Traxxas cannot be held responsible for typographical or other errors.