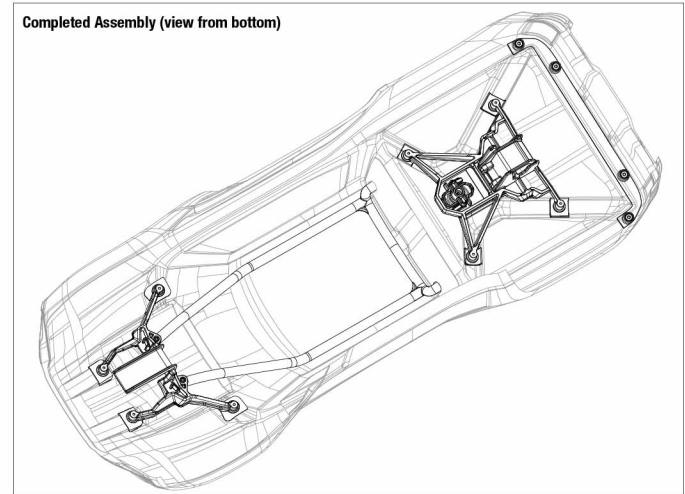
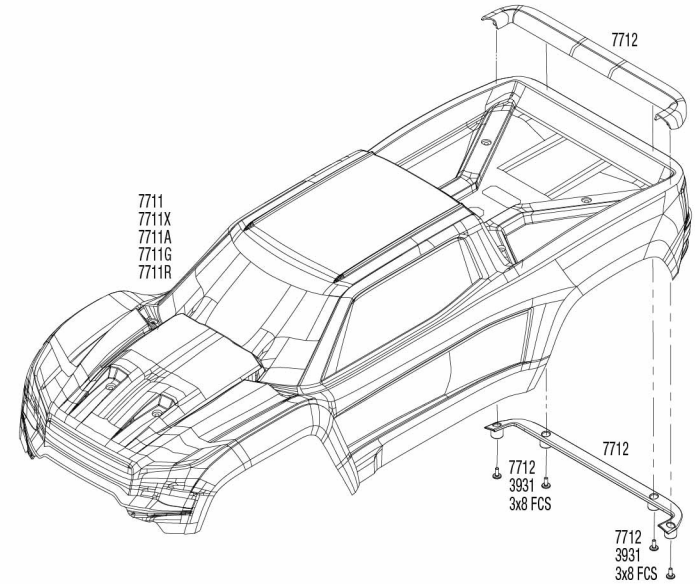
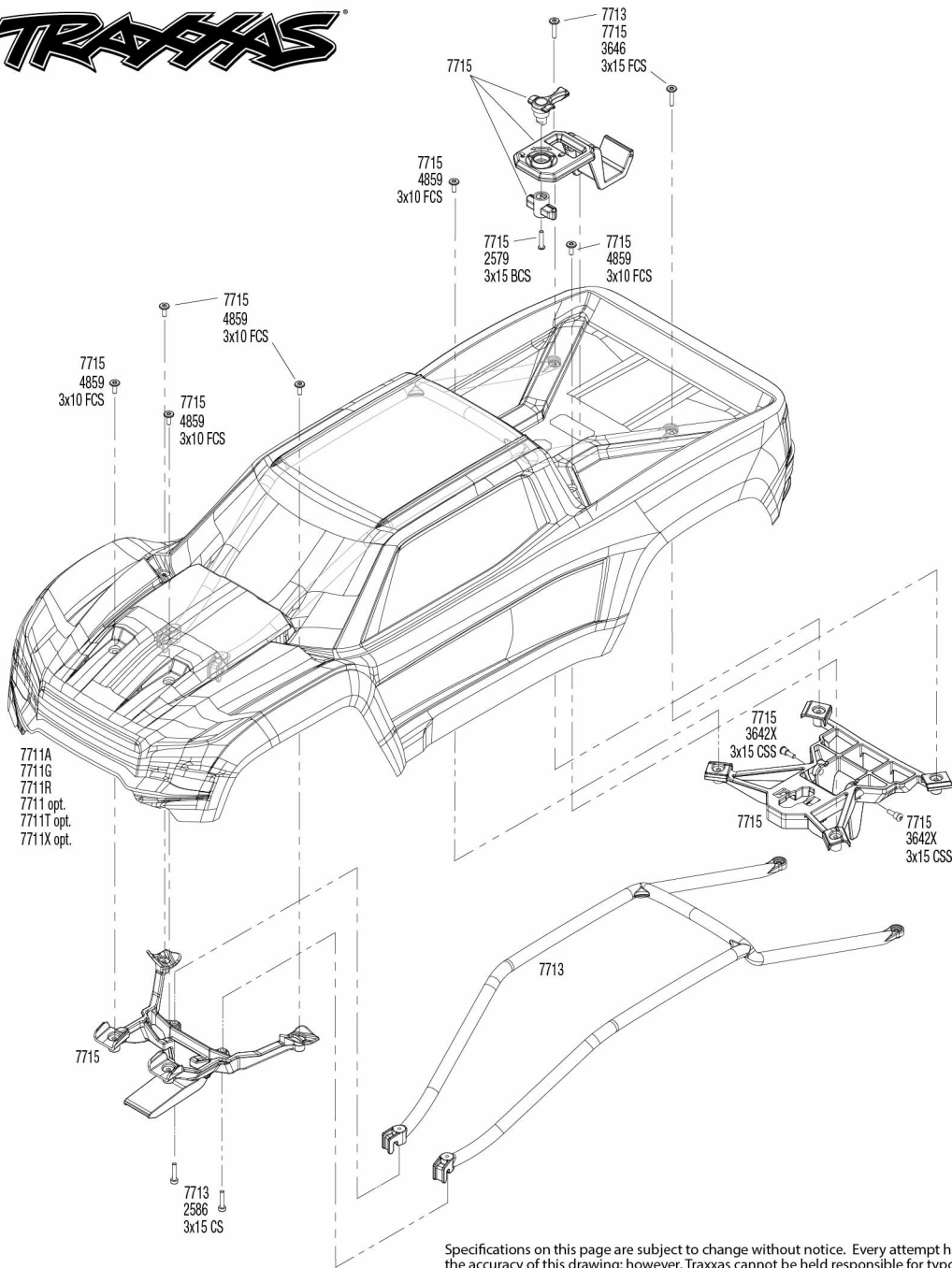


## Body Assembly



Specifications on this page are subject to change without notice. Every attempt has been made to ensure the accuracy of this drawing; however, Traxxas cannot be held responsible for typographical or other errors.

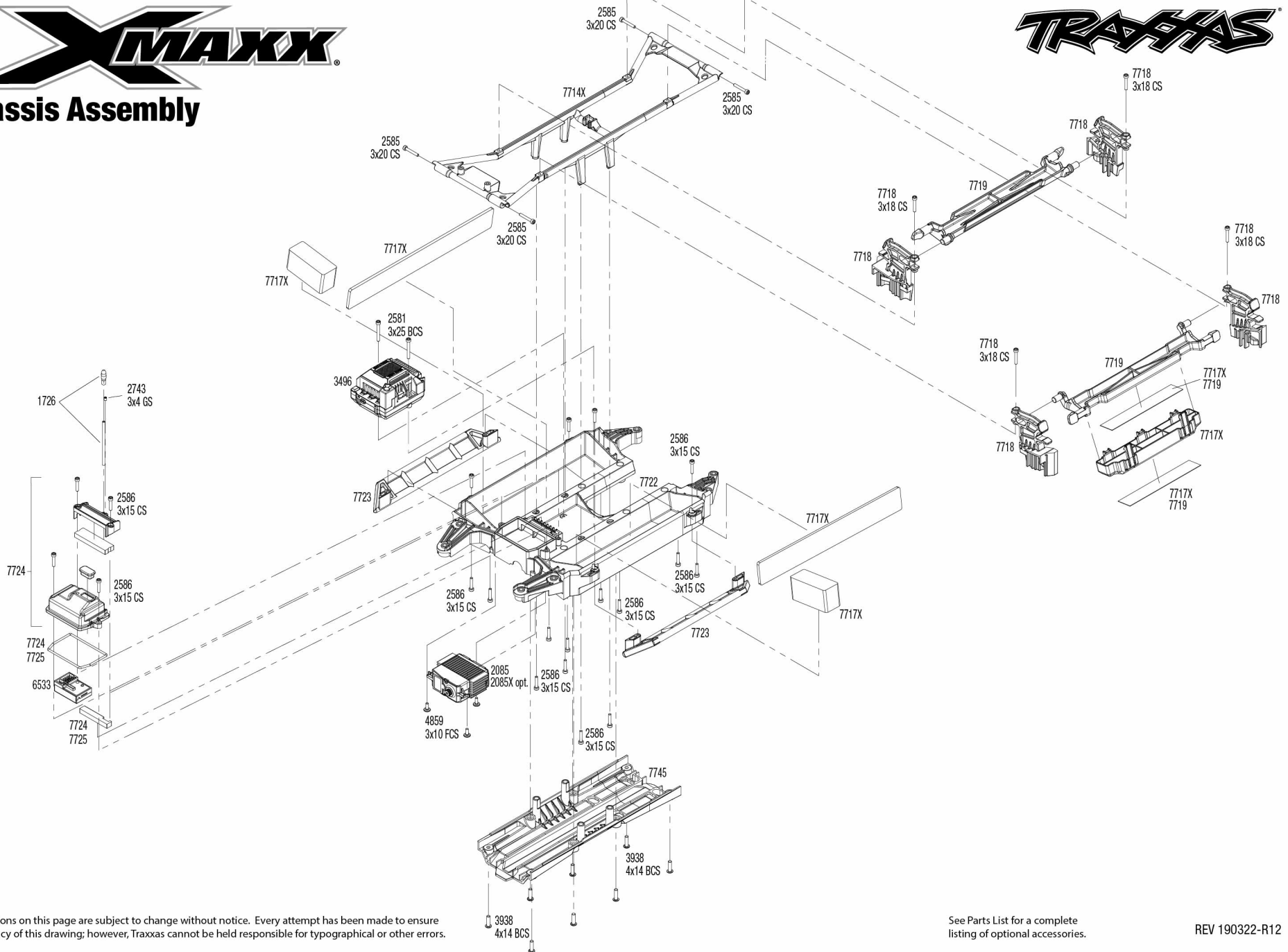
See Parts List for a complete listing of optional accessories.

REV 190322-R12

# XMAXX<sup>®</sup>

## Chassis Assembly

# TRAXXAS<sup>®</sup>



Specifications on this page are subject to change without notice. Every attempt has been made to ensure the accuracy of this drawing; however, Traxxas cannot be held responsible for typographical or other errors.

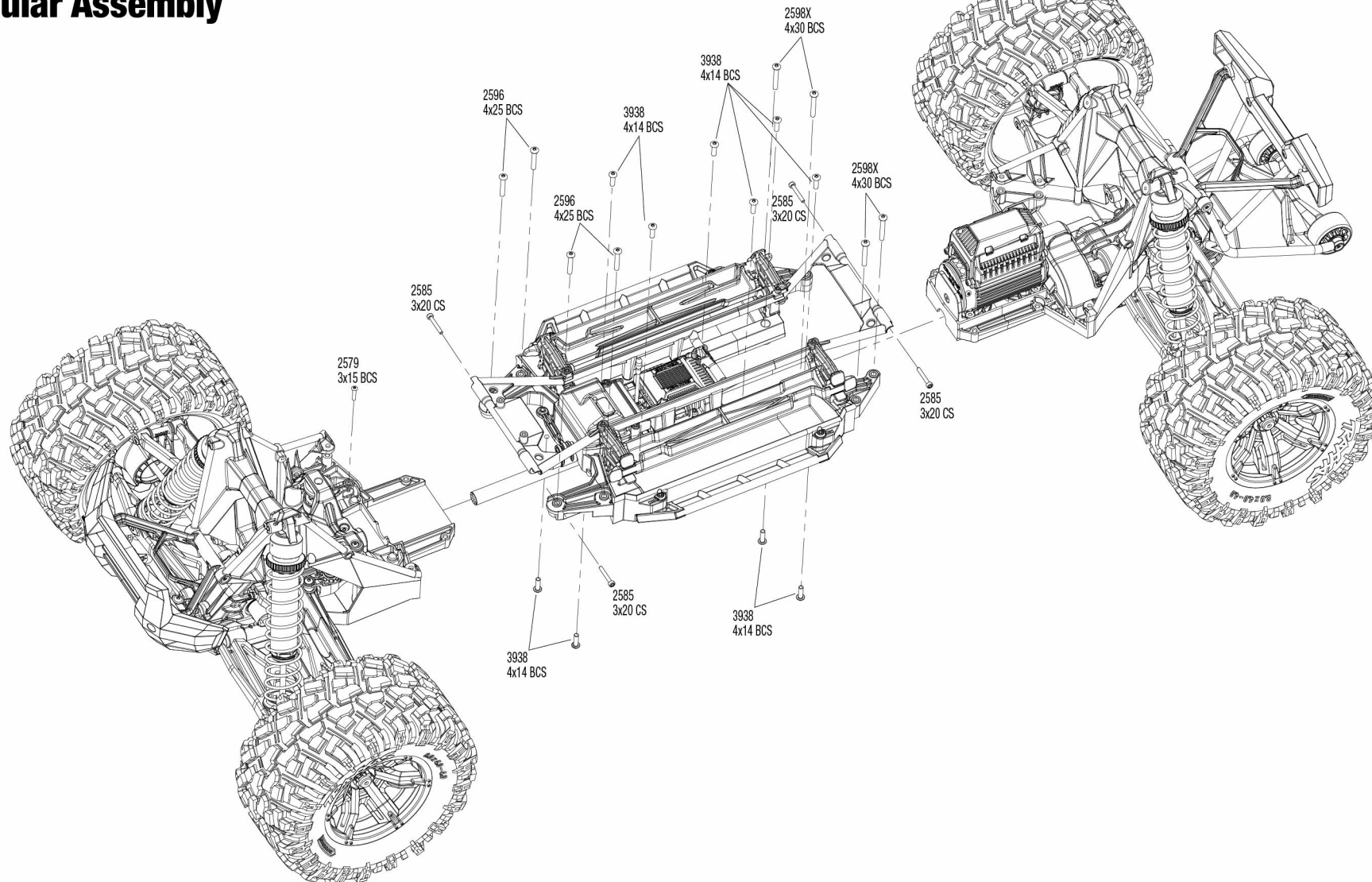
See Parts List for a complete listing of optional accessories.

REV 190322-R12



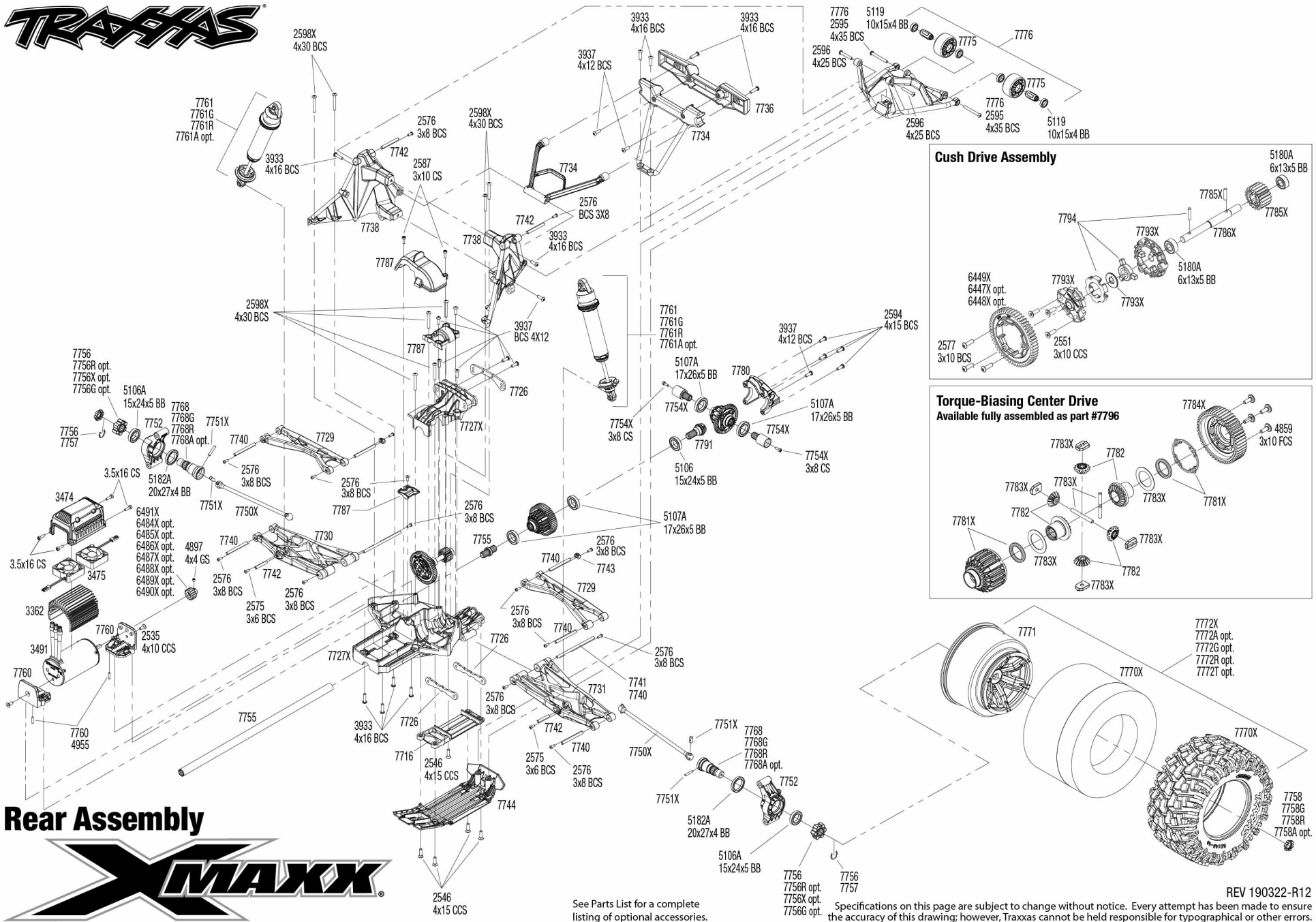


# Modular Assembly

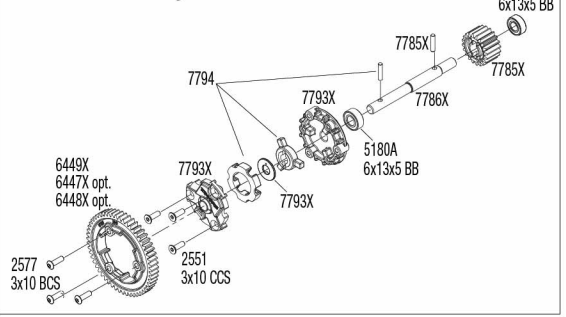


REV 190322-R12

Specifications on this page are subject to change without notice. Every attempt has been made to ensure the accuracy of this drawing; however, Traxxas cannot be held responsible for typographical or other errors. See Parts List for a complete listing of optional accessories.



### Cush Drive Assembly



### Torque-Biasing Center Drive

Available fully assembled as part #7796

