

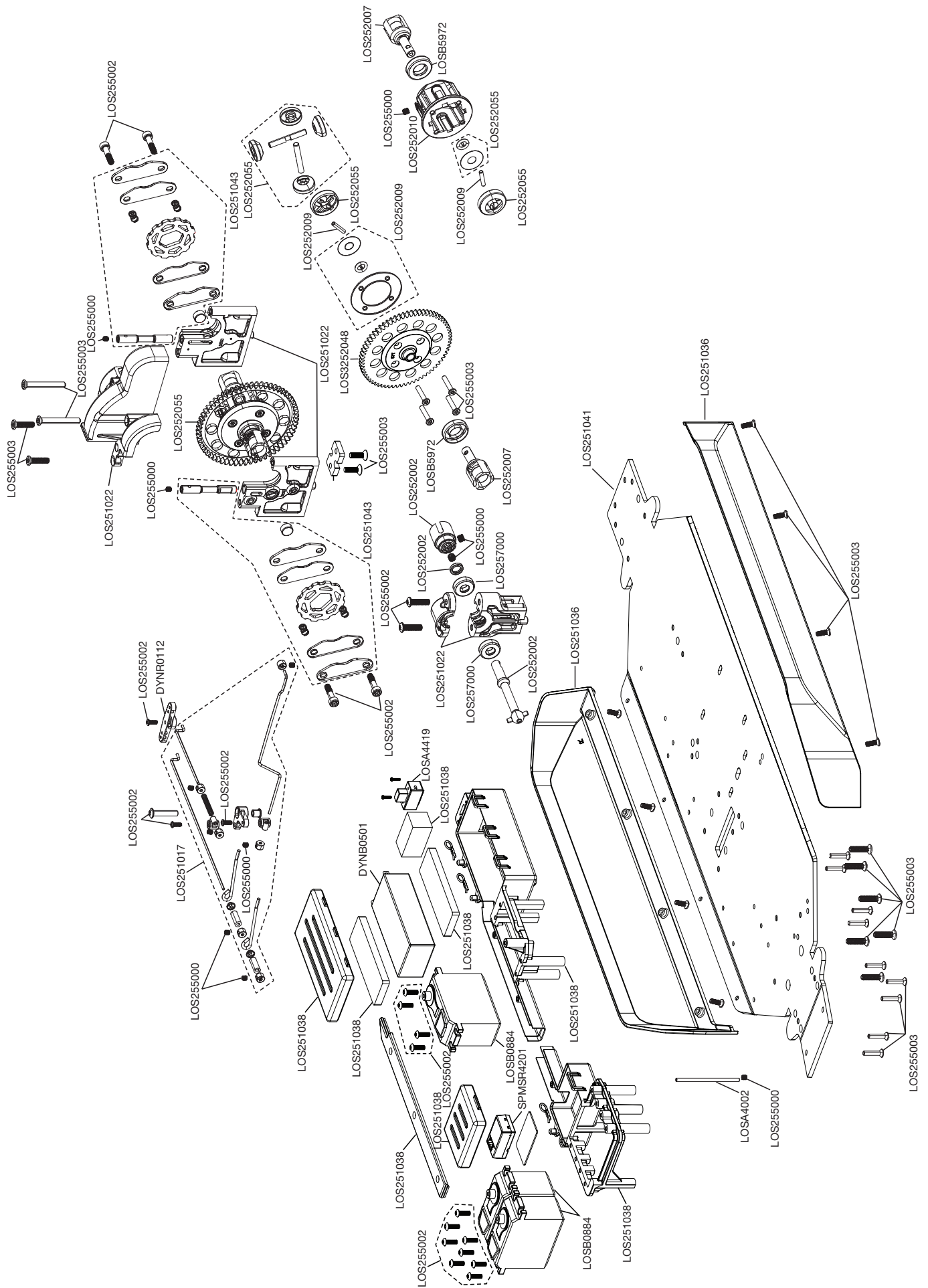
MONSTER TRUCK

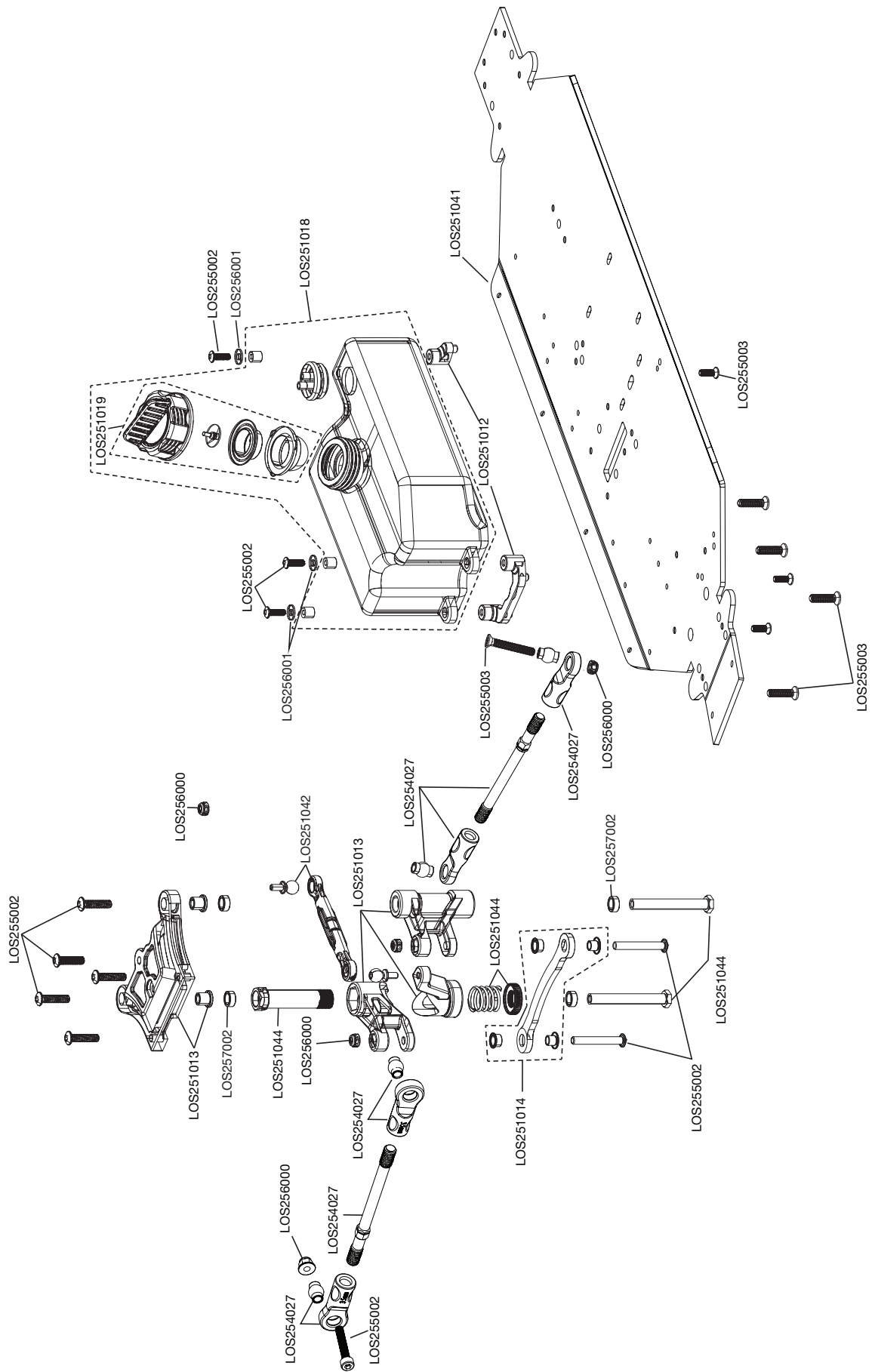
1/5-SCALE READY-TO-RUN

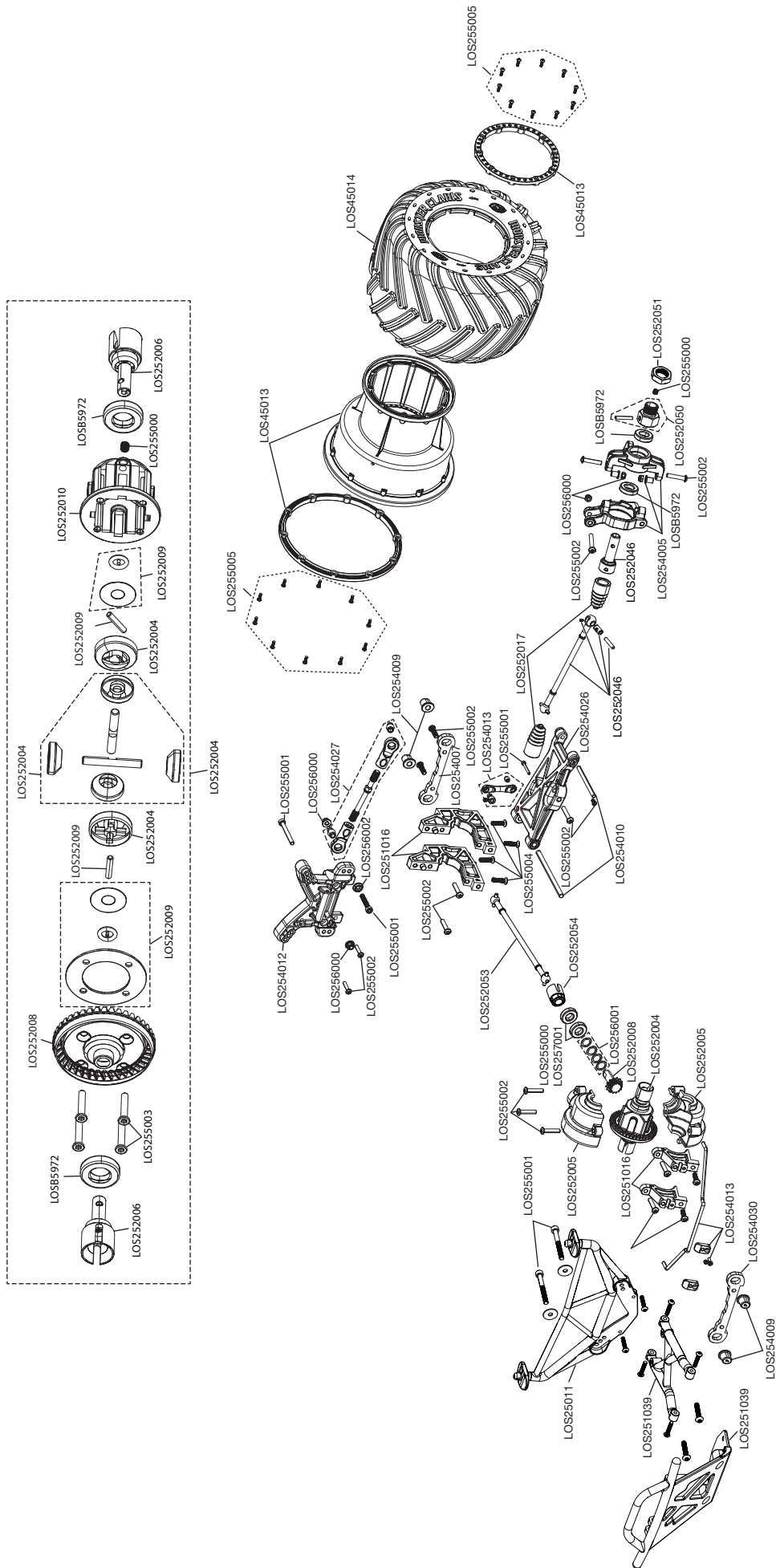


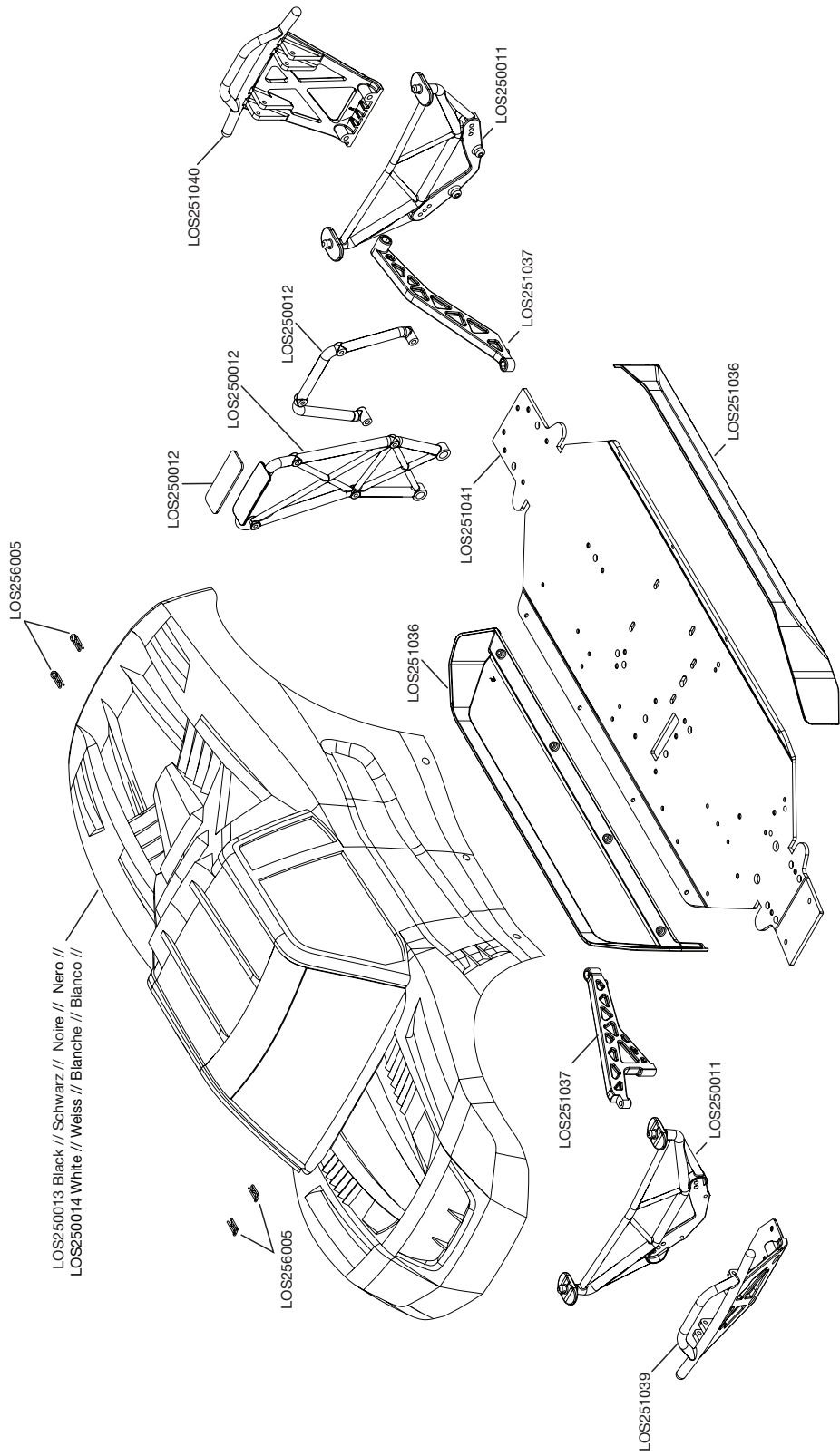
Instruction Manual // Bedienungsanleitung // Manuel d'utilisation // Manuale di Istruzioni

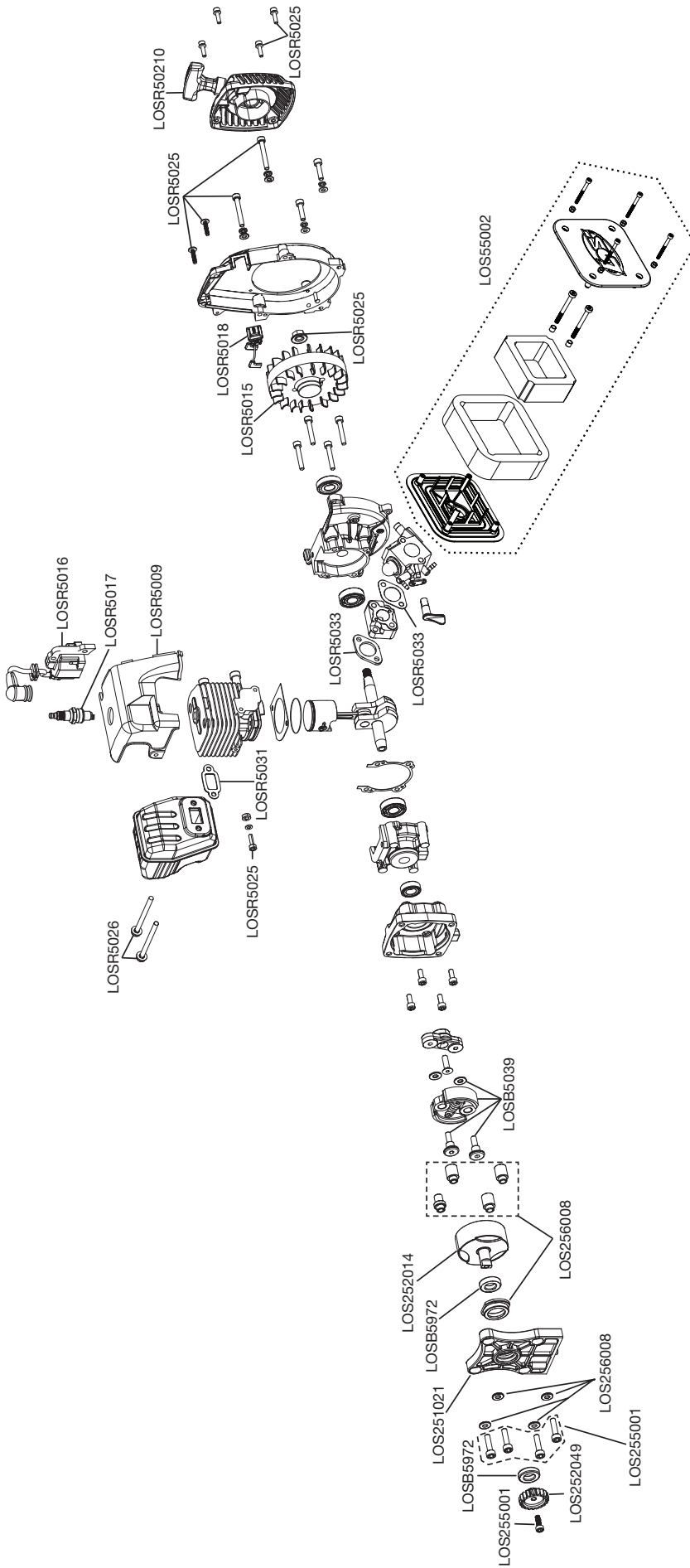














Horizon Hobby, LLC.
4105 Fieldstone Road,
Champaign, IL 61822 USA

Horizon Hobby Limited
Units 1-4 Ployters Rd
Staple Tye, Harlow, Essex
CM18 7NS, United Kingdom

Horizon Hobby GmbH
Christian-Junge-Straße 1
25337 Elmshorn, Germany



HORIZON[®]
H O B B Y

LOS05009

48622.1 Updated 3/2018

© 2016 Horizon Hobby, LLC. Losi, AVC, DSMR, Dynamite, Prophet, EC3 and the Horizon Hobby logo are trademarks or registered trademarks of Horizon Hobby, LLC. The Spektrum trademark is used with permission of Bachmann Industries, Inc. K&N, Kicker, Lucas Oil, Royal Purple, Bartolone Racing, Team Chase, and associated logos, are property of their respective owners and are used under license. All other trademarks, service marks and logos are property of their respective owners. Patents pending.