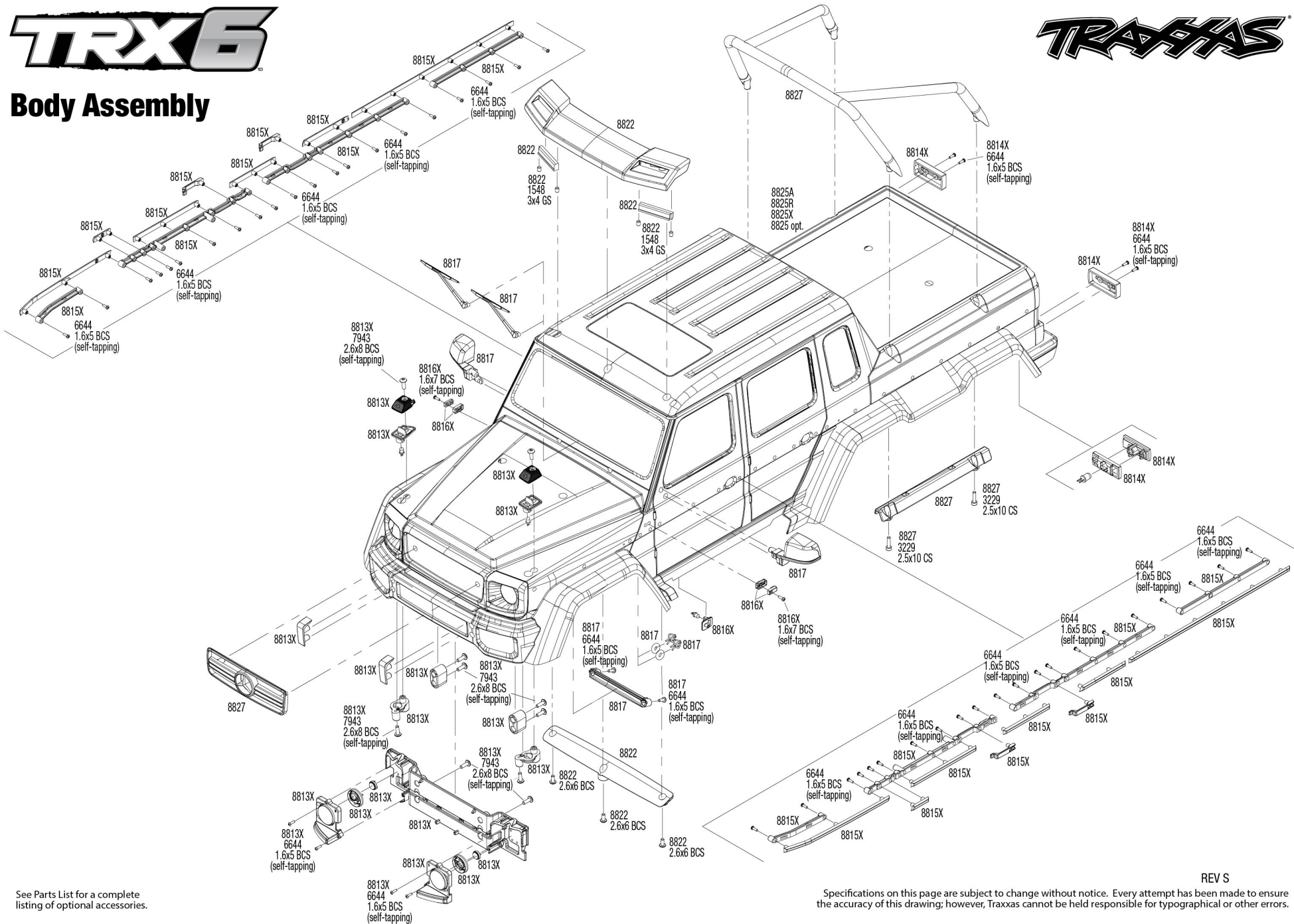


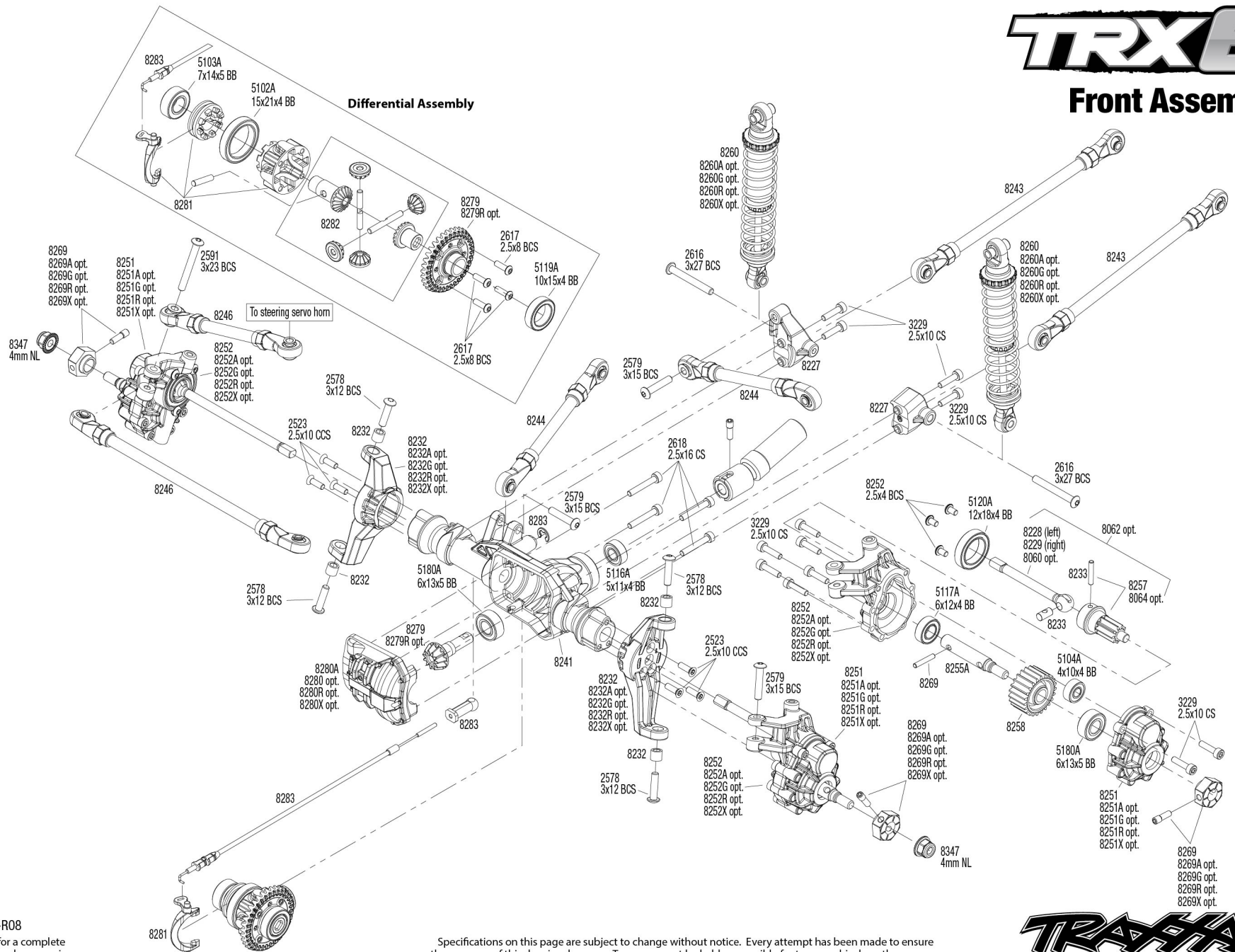
Body Assembly



See Parts List for a complete listing of optional accessories.

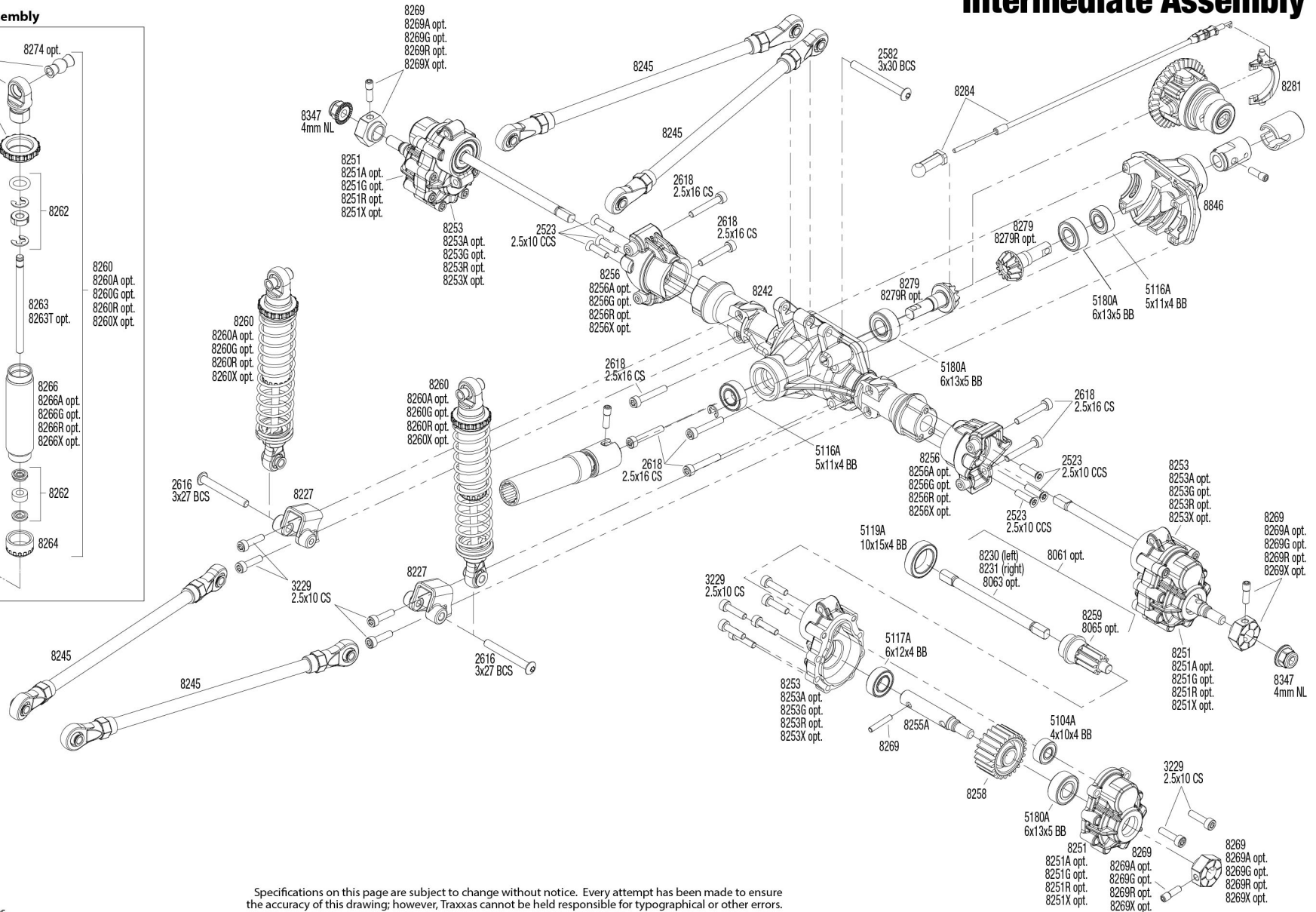
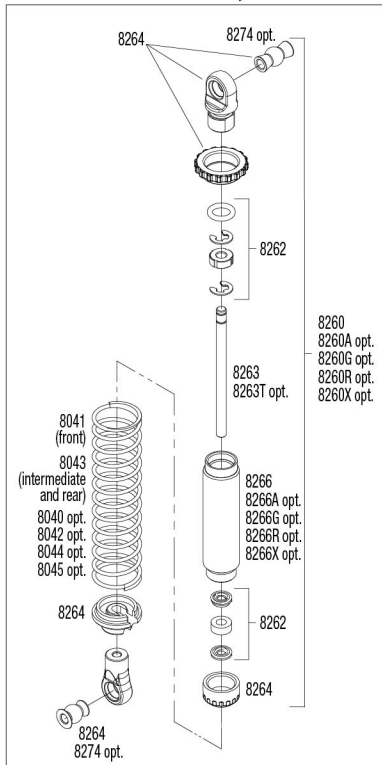
REV S
Specifications on this page are subject to change without notice. Every attempt has been made to ensure the accuracy of this drawing; however, Traxxas cannot be held responsible for typographical or other errors.

Front Assembly

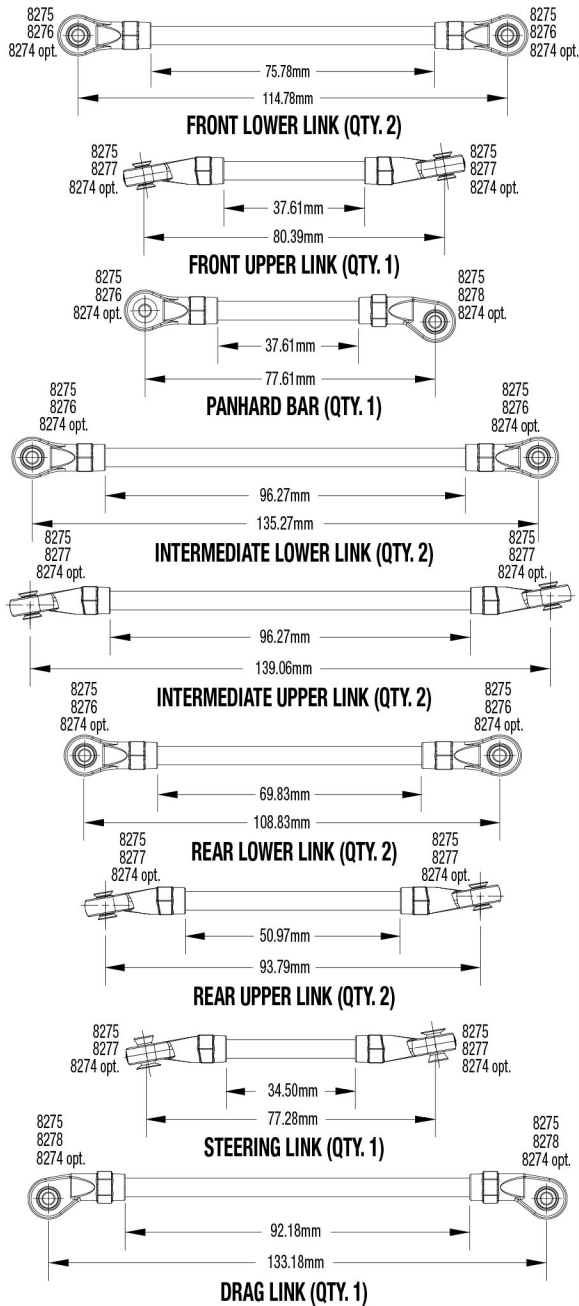


Intermediate Assembly

Shock Assembly



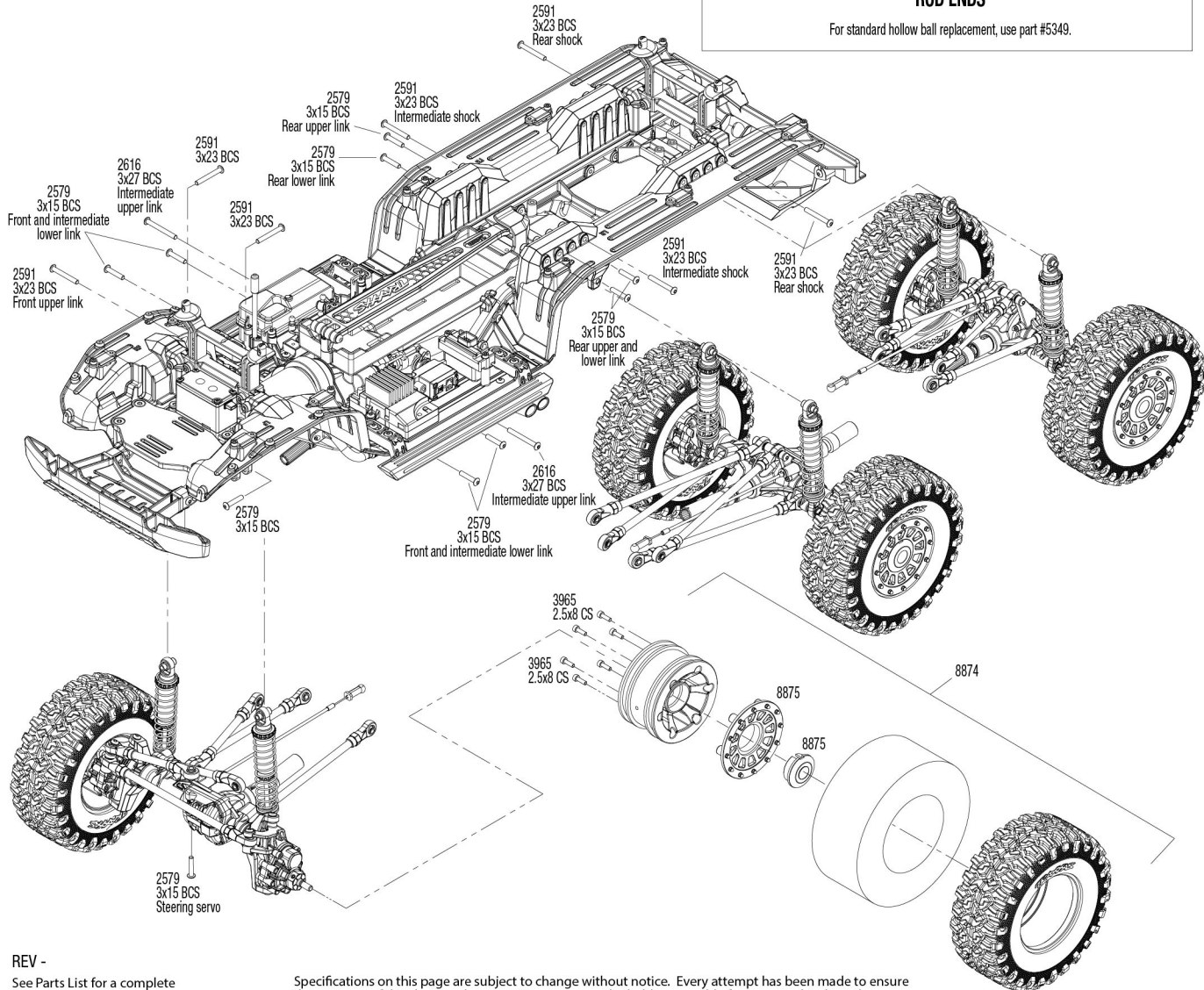
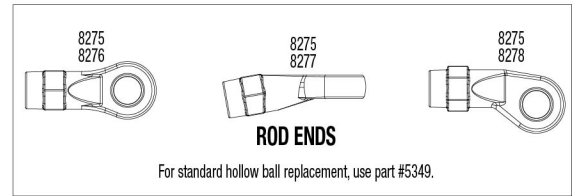
Link Dimensions



TRX6

Modular Assembly

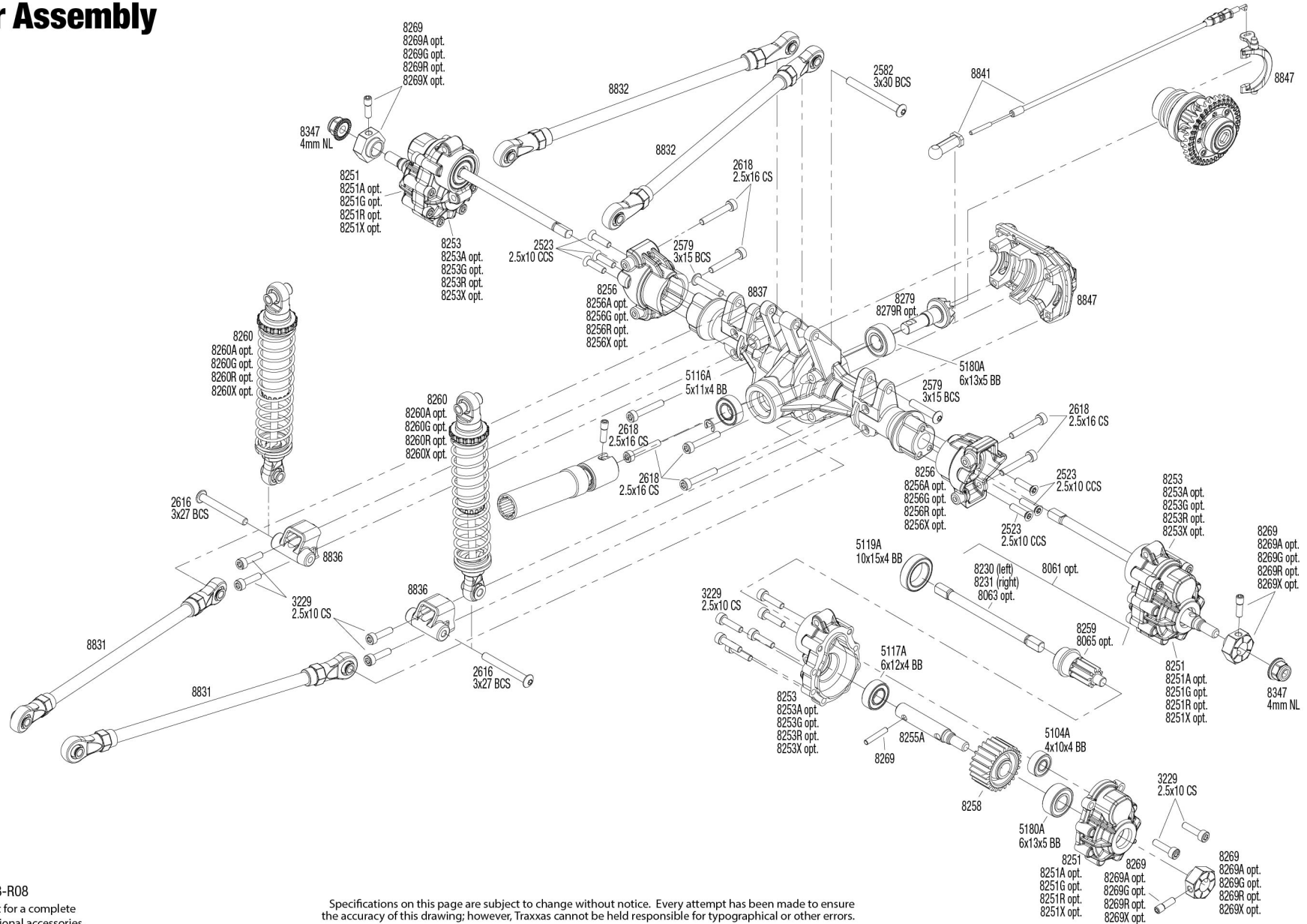
TRAXXAS



REV -
See Parts List for a complete listing of optional accessories.

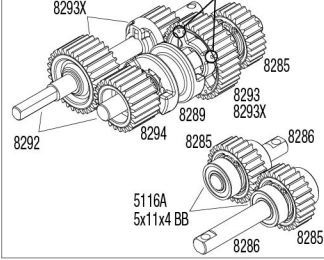
Specifications on this page are subject to change without notice. Every attempt has been made to ensure the accuracy of this drawing; however, Traxxas cannot be held responsible for typographical or other errors.

Rear Assembly

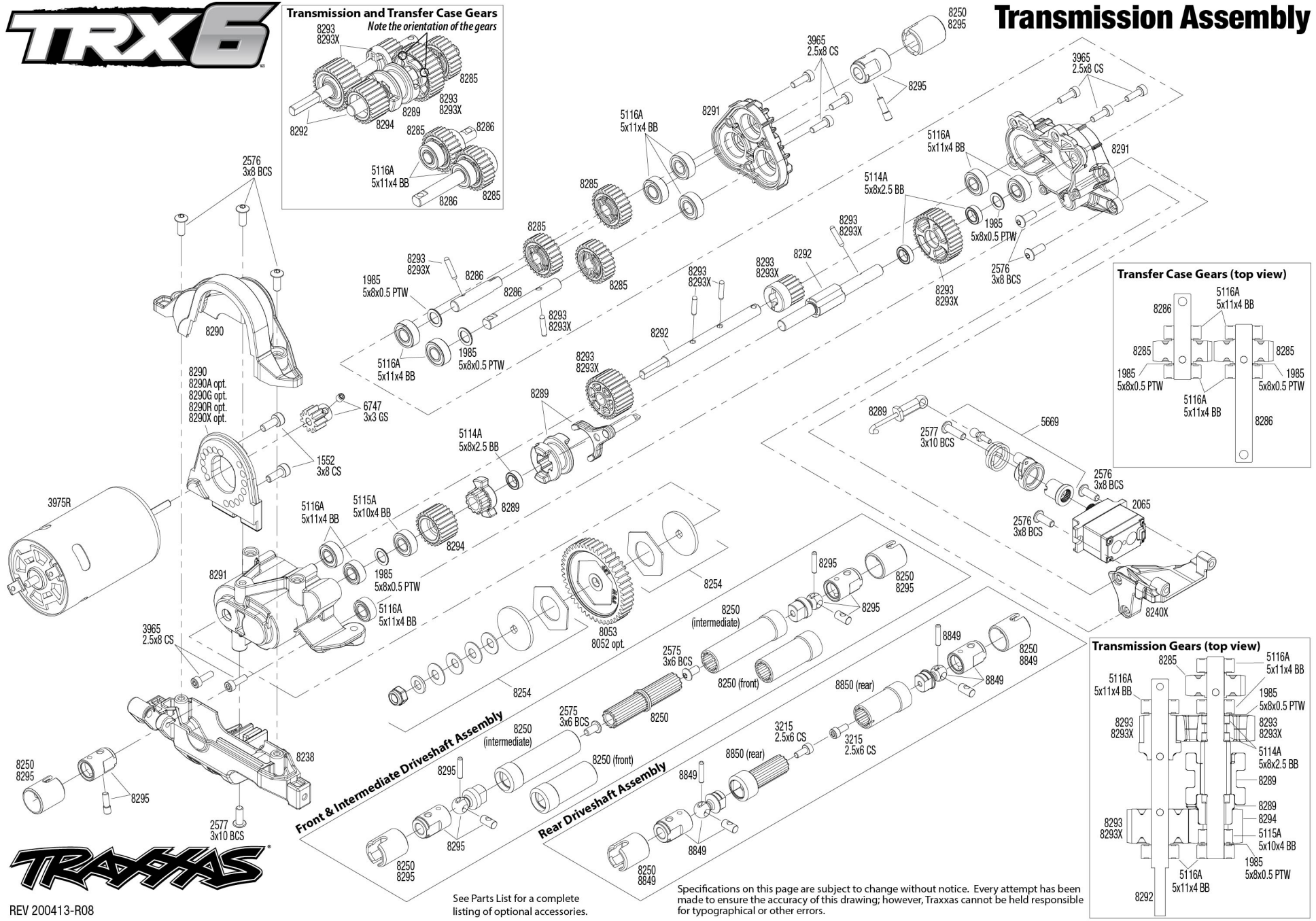


Transmission and Transfer Case Gears

Note the orientation of the gears



Transmission Assembly



See Parts List for a complete listing of optional accessories.

Specifications on this page are subject to change without notice. Every attempt has been made to ensure the accuracy of this drawing; however, Traxxas cannot be held responsible for typographical or other errors.