



## Cordless, battery powered portable Valve Actuators

Torcbraintm Cordless Portable Battery Valve Actuators are engineered to surpass industry standards for mobile, portable, reliable, safe, and accurate valve actuation tools.

A variety of application-engineered system accessories enables safe use by a single operator on various types of valves, whether via handwheels or valve stems.

### Enhanced mobility levels

- Low weight achieved through the use of Li-Ion batteries and the elimination of power leads or air hoses
- Swivel drive unit, perfect for hard-to-reach valves
- Comfortable operation with excellent ergonomics

### Heightened levels of productivity

- Flexible and mobile thanks to the cordless drive system
- Lightweight, fast, accurate, safe, and reliable
- Maximum valve protection with adjustable torque control
- Features a 4-speed gearbox with 44 torque settings
- Ensures safe operation with electronic auto shut-off once the selected torque is reached.
- Fingertip controls for on/off, forward, and reverse functions.
- Simple one-person setup and operation, with no additional tools needed.
- Designed to provide good operator feedback on the valve, facilitating the repetitive back-and-forth motion necessary for proper valve cleaning.
- Maintenance-free, brushless EC motor and maintenance-free gearbox.
- Made in Germany, ensuring top quality.



### Efficient and economical

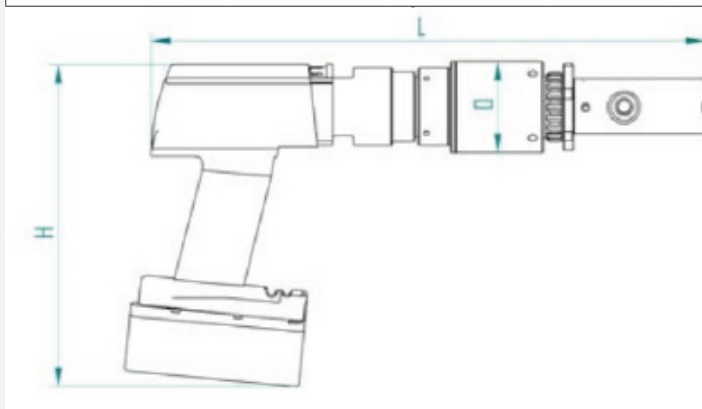
Torcbraintm Portable Cordless Battery Valve Actuators offer an efficient and cost-effective alternative to dedicated valve actuators. They are the ideal solution for manually operated valves that require high operating torques, numerous hand-wheel turns to open and close, or are simply difficult to operate.



## Technical Data

Model	Torque Range	No of Torque Settings	Max speed rpm	Dimension Length L	Dimension Diameter D	Dimension Height H	Weight inclusive battery
EIT-TB300 SDT EIT-TB300 SDT RC	10 - 400 Nm 7 - 295 ft-lb	44	140	365 mm 14-3/8"	58 mm 2-9/32"	250 mm 9-27/32"	4.0 kg 8 lb 13oz
EIT-TB900 SDT EIT-TB900 SDT RC	10 - 950 Nm 7 - 700 ft-lb	44	52	15-3/4"	68 mm 2-11/16"	250 mm 9-27/32"	5.7 kg 12 lb 9oz

Models ending with "RC" include an integrated Revolution Counter.



### Torcbrain © Cordless Portable Valve Actuators

Torcbrain© Portable Cordless Battery Valve Actuators can be utilised in situations where valve size, pressure rating, or environmental conditions typically necessitate a permanent, dedicated actuator or a work crew.

- Operable without requiring a permanent power supply
- Perfect for installations with minimal facilities and on-site work
- Offers a broad range of torque capabilities with adjustable torque settings
- Excellent for moving tight or partially seized valves
- Compatible with most valve sizes and types using a variety of quick-change system accessories
- Prevents operator fatigue and significantly lowers the risk of workplace injuries
- Transforms tasks typically needing a work crew into a one-person operation Operable without requiring a permanent power supply

### 44 Torque Settings - Accurate operation

Each tool offers a selection of 44 distinct torque settings, thanks to the high-quality 4-speed mechanical gearbox and 11 torque options for each gear. Once the chosen torque level is achieved, the tool emits an acoustic signal and shuts off automatically. There's no clutch, no ratcheting, and no variations.

### Torcbrain © Cordless Portable Valve Actuators - Scope of supply

The Torcbrain® Portable Cordless Battery Valve Actuators are fully calibrated and are supplied complete with:

- Two 18V 5.2 Ah Li-Ion batteries
- Battery charger
- Operating manual
- Sturdy transport box

## System Accessories:

### Telescopic Drive Extensions (varioTele)

The Vario-telescope, made entirely of stainless steel, enables ergonomic height adjustment of the drive to match the operator's position, making it ideal for operating valves in pits and similar environments.

The integrated quick-change system allows for height adjustment and swapping of valve head or socket drive adaptors with one hand, without needing any tools. It is available for tools with a maximum torque range of 400 or 950 Nm, and comes in three different lengths: 800-1400 mm, 1200-1900 mm, and 1400-2600 mm.



### Torque Reaction Arms - Side Handles (handle)

Torque reaction arms can be attached to the tool to absorb the torque transferred from the tool to the valve.

For the Model TB300SD, the torque reaction arm is constructed from lightweight aluminum and one arm is sufficient to handle the transmitted torque. Additionally, a two-part handle option is available, which can be conveniently stored inside the tool's carrying case.

For the Model TB900SD, torque reaction arms made from stainless steel are used, requiring two arms to manage the significantly higher torque of this model. The side handles can be easily and quickly fitted to the tool when required and removed for tool storage.



### Hand Wheel Adaptor (hara300sys, hara900sys)

Facilitates the operation of non-rising handwheels. The quick-change driving pins can be adjusted with one hand, without requiring any tools, to accommodate 3 and 5-spoked handwheels (adapter diameter 150mm).



### Hand Wheel Adaptor for Rising Spindles (hara300sysL650, hara900sysL650)

Enables the operation of handwheels with rising spindles, with a standard length of 650mm and custom lengths also offered.

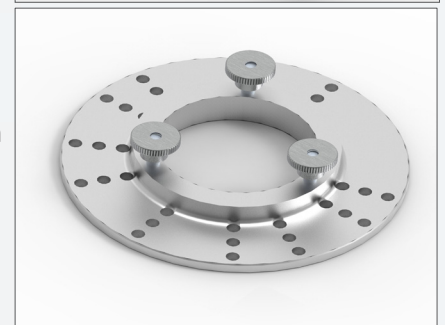
The quick-change driving pins can be adjusted single-handedly and without tools to accommodate 3 and 5-spoked handwheels (adapter diameter 150mm).



### Extension for large Hand Wheels (hara250sys)

This extension plate increases the diameter of the standard handwheel adaptor from 150mm to 250mm. It is secured using three knurled screws onto the standard Hand Wheel adapters Hara300sys/Hara900sys.

The quick-change pins can be adjusted to accommodate 3/4/5 spoked handwheels without requiring any tools.



## System Accessories:



### Revolution Counter (zaehler300bikplt) (zaehler900bikplt)

Enables monitoring and recording of clockwise and anti-clockwise revolutions using a contactless module.

Ideal for valves that require a high number of revolutions and for precise valve exercising.



### 12V Inverter (MI5300)

This mains inverter is ideal for situations where a standard mains outlet is not accessible.

Simply plug it into the 12V socket in your car and connect the battery charger to the mains socket on the inverter.



### Twin Charging Station (TGL-duo)

The DUO rapid charger simultaneously charges two battery packs, saving time on work sites, in workshops, and in vehicles.

Separate LED indicators for each charging space show the current charge status of each battery pack at any time.

## System Sockets and Adaptors:

1. Square Drive Adaptors are used to convert the tool to a 3/4" square output drive, enabling the use of standard sockets or existing tooling

2. Conical adaptors designed to fit valve stems, available in models to fit sizes ranging from 27mm to 54mm

3. Universal Joint Adaptor for accessing hard-to-reach valve stems or handwheels.

4. Hand wheel adaptors are available to accommodate handwheels with 3, 4, or 5 spokes, suitable for both rising and non-rising spindles.

Additionally, there are adaptors designed specifically for handwheels with 3, 4, 5, or 7 spokes.

