

N-SENS Motorized Positioner



NANOSSENS[®]

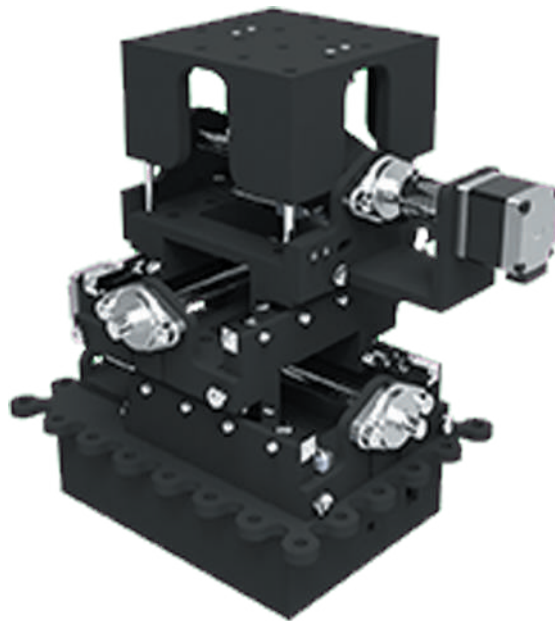
Spectroscopic Solutions for Industries

www.nanosens.com.tr

N-SENS

Motorized Positioner

NANOSENS manufactures a wide range of XYZ-motorized linear translation stages with customer specific resolutions. These positioning systems are of the used in precision automation applications, in optics, micro-robotics, imaging and precision assembly. NANOSENS provides multi-axis solutions, X-Y-Z combinations assembled from individual linear stages. N-SENS Motorized Positioners have unique features including compact design, precise movement and customer specific travel range.



Technical Specifications

- Customer specific motion precision range
- Customer specific motion range
- Customer specific design and manufacturing

*For specific production please contact with NANOSENS.