

S-SENS Vial Spinner



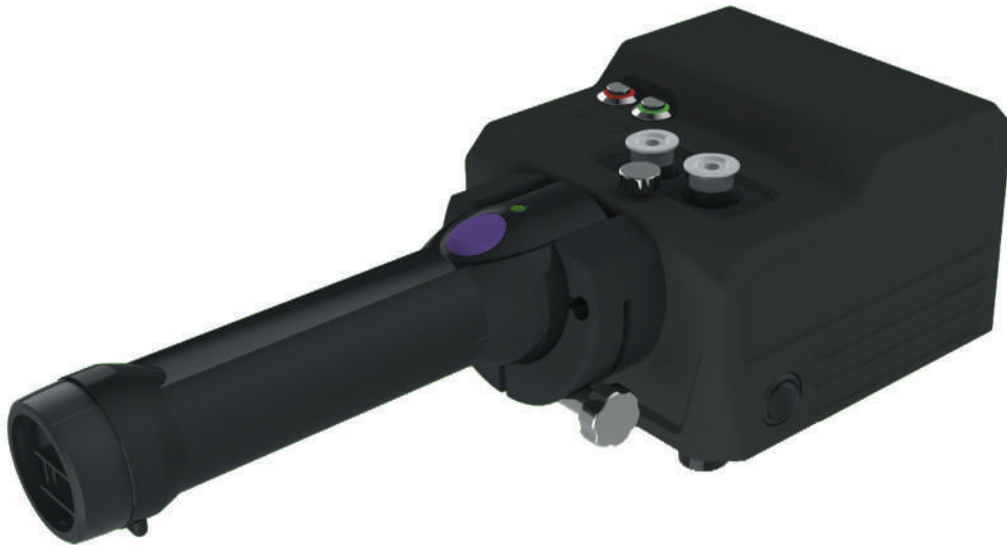
NANOSSENS[®]

Spectroscopic Solutions for Industries

www.nanosens.com.tr

S-SENS Spinner

NANOSENS manufactures a wide range of optical, spectroscopy and sensor accessories. S-SENS Spinner is to rotate the vial while the content are being analyzed by sensor. In spectroscopy analysis, rotating the vial minimizes undesirable effects and enables detection of samples with a larger representative portion. S-SENS Spinner is specially desinged for Viavi Solutions MicroNIR OnSite-W. This accesory automatically rotate the vial for reflection and transreflection measurements.



Technical Specifications

Size (LxWxH)	: 125x115x84 mm
Working Temperature*	: RT-50 °C
Rotation Speed*	: 5-40 rpm
Control	: Two function buttons
Battery	: Rechargeable Li-ion, removable
Battery Specifications	: 7.4 V, 9700 mAh, 71.8 Wh
Battery Charger	: AC 100V-240C 50/60 Hz

*Working temperature and rotation speed are adjustable. Please indicate your required values at the time of order.

**The values set for raw milk application are 40 °C and 15 rpm.