

Retro-Reflective Photocell

Features:

- Totally safety sensor
- Test Input Connection
- Red infrared led element
- IP-55 water proof/cable gland
- Cable length: 2 meters (5 core)
- PMMA upper casing, anti fog/dew/rains
- Round shape reflector-Dia.: 82.1mm
- Twin colors led indicator for beam alignment & power indication

Application:

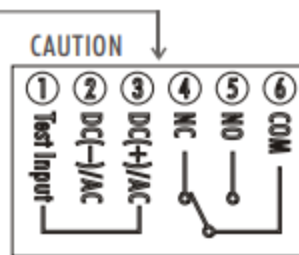
- Gateopener
- Overhead door
- Swing gate
- Sliding door
- Perimeter protection
- Window
- Terrace
- Warehouse
- Parking lot



HD-15 + RR-80G

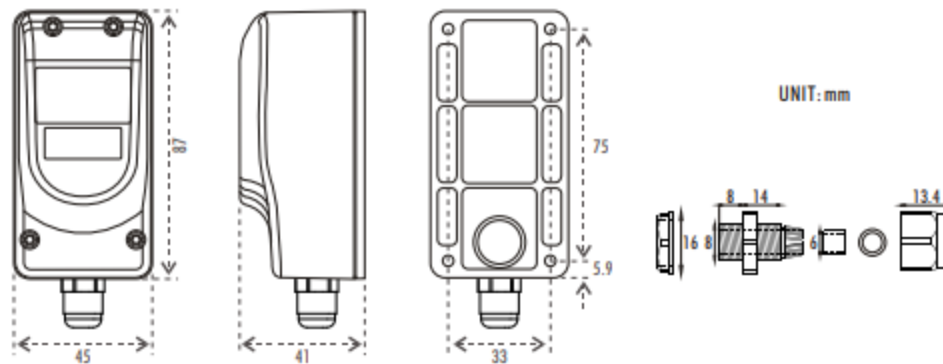
Specifications:

Input Volt.	DC 10~24V
Tx Led Element	Red infrared/Wave length 740 nm
Beam Spreading angle	1.5° (full angle)
Contact Capacity	0.5A/120VAC (1A/30VDC)
Response Time	≤ 10 msec
Relay Delay	100 msec (Relay reset time)
Sensing Range	10 meters
LED Indicators	Please see next page
Wiring Connection	Terminal block / Cable gland
Housing Material	Bottom casing: ABS / Upper casing: PMMA
IP	IP-55
Environment/Storage Temp.	-25°C ~ 60°C / -35°C ~ 80°C
Dimension	87 (L) × 45 (W) × 41 (D) mm

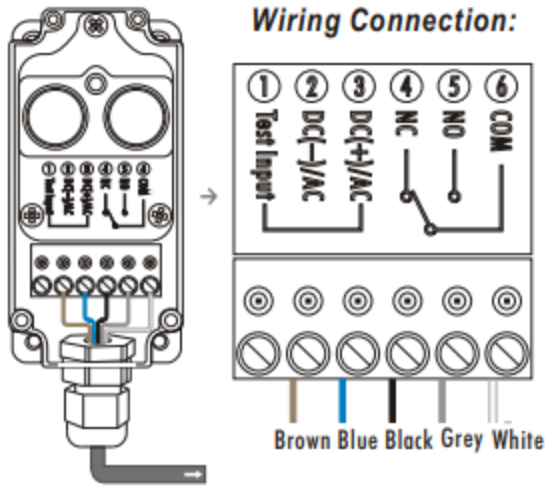


DC+ is DC+
DC- is DC-
NOT Non polarity

Dimensions:



מק"ט #960042



Caution:

① & ③ : Test Input

When powered also beam aligned properly

- a. Once Terminal ① & ③ connected → **Red LED ON**.
- b. Once Terminal ① & ③ dis-connected → **GREEN LED ON**.

Each unit includes.:



- 1) Sensor
- 2) Reflector
- 3) HD-15 (Hood for Reflector)
- 4) 2 meters cores cable wire
- 5) Cable gland
- 6) Mounting screws
- 7) Manual
- 8) inner box

LED Indicators:

	GREEN	RED
Beam aligned properly (Power ON)	ON	OFF
Beam broken (Power ON)	OFF	ON
Power ON only or Power ON and Beam Broken	OFF	ON
LED indicator flashing	Signal Weak: Please re-align the beams	
Check wiring connection	OFF	OFF

※ Twin colors LED Indicator (ON / OFF)

- RED LED Indicator → ON: Power ON / OFF: Power OFF
- GREEN LED Indicator → ON: Beam aligned properly / OFF: Beam broken