

TAUNUS

Bold, striking contours and organic undulating rolls



TAUNUS

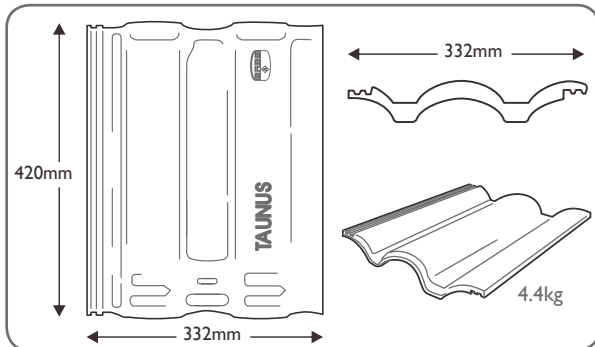
Always eager to set new standards in style, quality and excellence, MONIER Roofing developed the striking Taunus. This bold profile tile has a long and noble history. For centuries they were individually handmade from clay.

Not only does it represent the highest standards in technical refinement, but now, thanks to MONIER Roofing's unique production capability, the Taunus is stronger, more balanced and above all, more affordable than its predecessor.

Taunus boasts a required incline of 17°, making it the perfect choice for low-pitched roofs. It's deep roll creates roofs of majestic character with it's bold, striking contours and organic undulating rolls.

TECHNICAL DATA

Overall size of tile (mm)	420 x 332 mm
Approximate mass per tile	4.4 kg
Linear cover per tile	300 mm



STRUCTURAL DATA

The roof structure specifications should comply with the regulations in your area.

Rafter Centres	
Up to 760 mm	38 x 38 Batten
Up to 950 mm	38 x 50 mm Batten on edge
Headlap (mm)	
17° to 25°	100
26° and over	75
Batten Centres (mm)	
17° to 25°	320
26° and over	345
Batten per m² (m)	
17° to 25°	3.13**
26° and over	2.9**
Number of tiles per m²	
17° to 25°	10.42
26° and over	9.66
Approximate mass of tile m² (kg)	
17° to 25°	46
26° and over	43
Undertile Membrane Recommended at all Pitches	
17° to 25°	Mandatory
26° and over	Recommended

** No allowance made for wastage.

Disclaimer: The printing process, age and lighting conditions may affect the appearance and colour of these illustrations. MONIER Roofing recommends you examine an actual sample tile of your colour choice before making your buying decision. Special colours are available on request. Contact your nearest outlet for further information.



STANDARD FINISH

THROUGH COLOUR



FARMHOUSE



LUMINO CRYSTAL FINISH

NEW

FARMHOUSE



LUMINO FLAIR FINISH

NEW

THROUGH COLOUR

