

DOUBLE ROMAN

Clean, classic and traditional



DOUBLE ROMAN

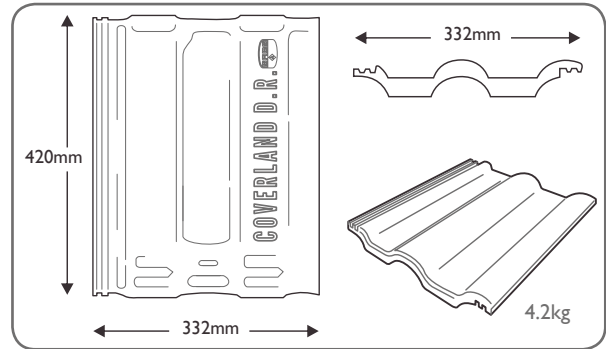


The Double Roman is clean, classic and traditional, making it the ideal choice for any home.

The Double Roman tile was the first tile to be mass produced in South Africa which accounts for its unparalleled popularity. The Double Roman can trace its shape back to Roman engineering principles, where it was discovered that arches have an ability to withstand great pressures as the arch distributes the weight evenly down to the base of the structure. Hence the birth of the Double Roman tile. Scientifically tested weather locks ensure complete weather resistance.

TECHNICAL DATA

Overall size of tile (mm)	420 x 332 mm
Approximate mass per tile	4.2 kg
Linear cover per tile	300 mm



STANDARD FINISH

THROUGH COLOUR



Victorian Grey 901061 Brown 901021 Red 901011 Slate Grey 901031 Terracotta 901041

FARMHOUSE



Kalahari 901053 Red 901013 Terracotta 901043

CLASSIC



Moreland Green 901077 Green 901097

STRUCTURAL DATA

The roof structure specifications should comply with the regulations in your area.

Rafter Centres	Up to 760 mm	38 x 38 Batten
	Up to 950 mm	38 x 50 mm Batten on edge
Headlap (mm)	17° to 25°	100
	26° and over	75
Batten Centres (mm)	17° to 25°	320
	26° and over	345
Batten per m² (m)	17° to 25°	3.13**
	26° and over	2.9**
Number of tiles per m²	17° to 25°	10.42
	26° and over	9.66
Approximate mass of tile m² (kg)	17° to 25°	46
	26° and over	41
Undertile Membrane Recommended at all Pitches	17° to 25°	Mandatory
	26° and over	Recommended

** No allowance made for wastage.

Disclaimer: The appearance and colour of the Victorian Grey concrete roof tile may vary due to the source of raw materials used in the manufacturing process.