

## CUPOLA

*High quality with a strong Mediterranean character*



# CUPOLA



The exclusive and high quality Cupola profile denotes a strong Mediterranean character – ideally suited for majestic homes and corporate buildings with large roof surfaces.

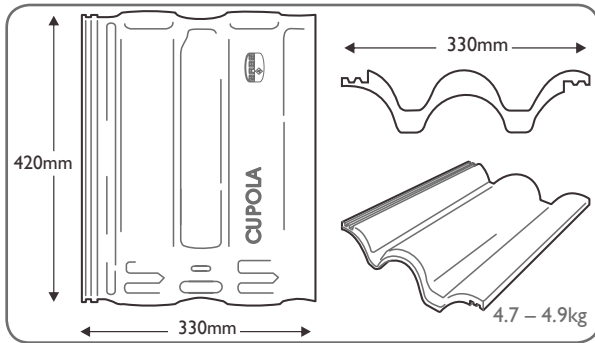
The Cupola tile adds a new dimension to the roofing landscape by combining a classic appearance with the advantages of modern technology. This strong, deep rolled profile, with its bold curves and incredible colour, provides large, undisturbed roof surfaces with a design orientated touch.

The Cupola is made from high quality raw materials (pre-classified washed sand, cement, and long-lasting colour pigments based on iron oxides) used in a fully automated manufacturing process. The combining of materials is meticulously monitored. Daily samples are taken and highly advanced tests on strength and size are conducted.



## TECHNICAL DATA

Overall size of tile (mm)	420 x 330 mm
Approximate mass per tile	4.7 – 4.9 kg
Linear cover per tile	300 mm



## STRUCTURAL DATA

The roof structure specifications should comply with the regulations in your area.

Rafter Centres	
Up to 760 mm	38 x 38 Batten
Up to 950 mm	38 x 50 mm Batten on edge
Headlap (mm)	
17° to 25°	100
26° to 45°	75
Batten Centres (mm)	
17° to 25°	320
26° to 45°	345
Batten per m <sup>2</sup> (m)	
17° to 25°	3.13**
26° to 45°	2.9**
Number of tiles per m <sup>2</sup>	
17° to 25°	10.42
26° to 45°	9.66
Approximate mass of tile m <sup>2</sup> (kg)	
17° to 25°	± 51
26° to 45°	± 47
Undertile Membrane Recommended at all Pitches	
17° to 25°	Mandatory
26° to 45°	Recommended

\*\* No allowance made for wastage.

## STANDARD FINISH

### THROUGH COLOUR



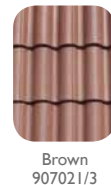
### FARMHOUSE



## LUMINO CRYSTAL FINISH

**NEW**

### THROUGH COLOUR



Brown  
907021/3

### FARMHOUSE



Brown  
907023/3



Kalahari  
907053/3



Terracotta  
907043/3

## LUMINO FLAIR FINISH

**NEW**

### THROUGH COLOUR



Black  
907031/4