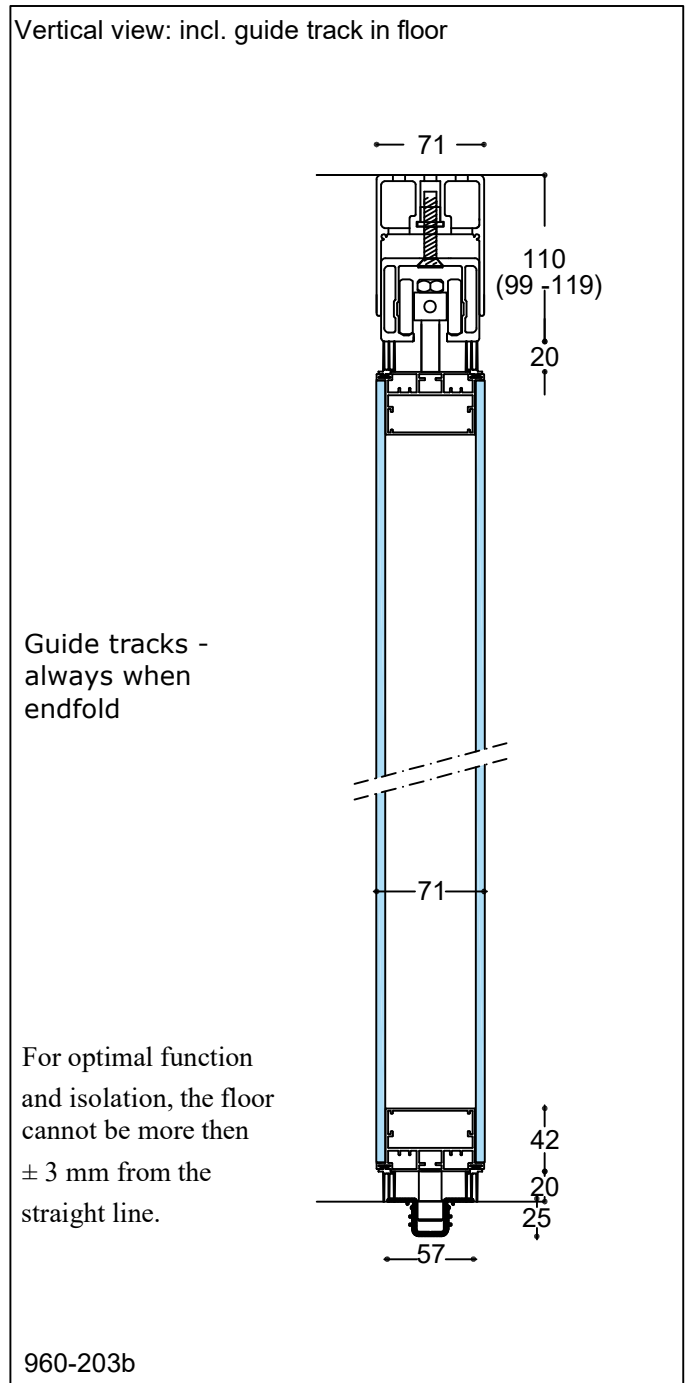
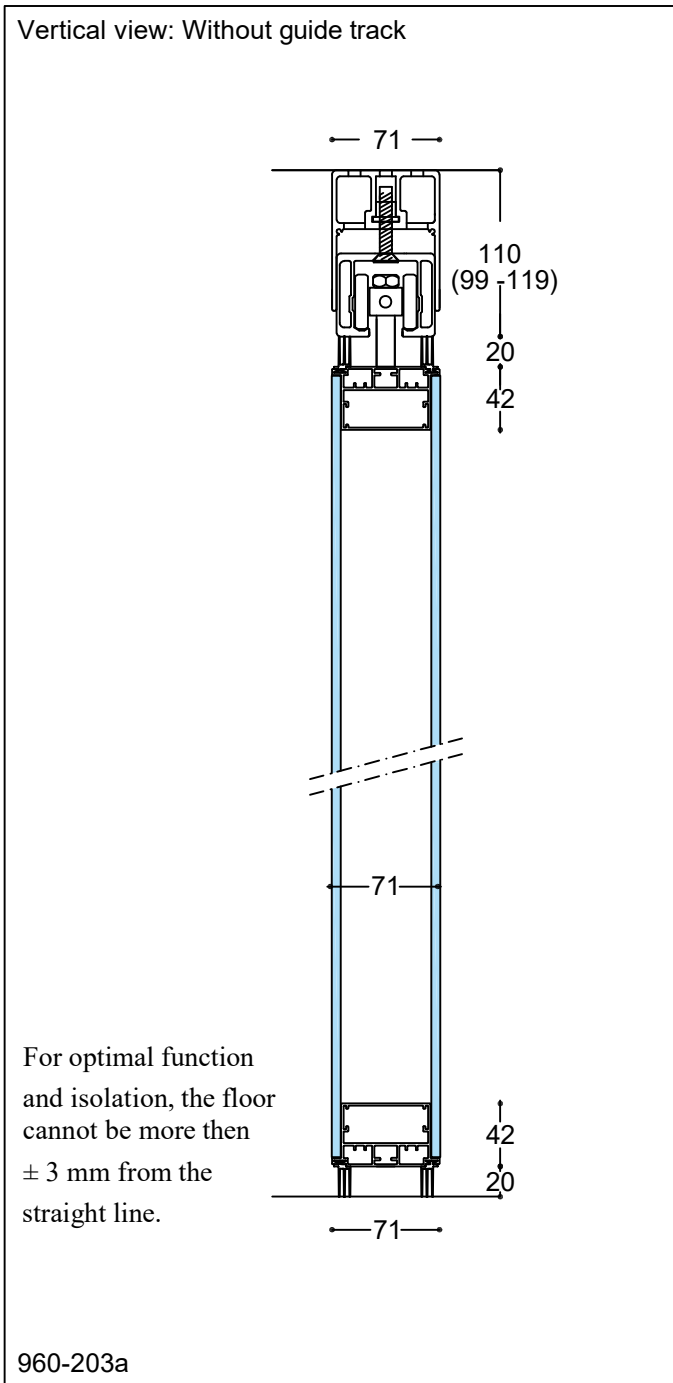


# Full glass Folding Partition SWG 960



**960-203**

Type Vertical: Top hung visible track

Scale: 1:5  
Size in mm  
Date 2023-04  
Rev.nr.:

**SWG**  
Scandinavian Wall Group AB  
Trastvägen 2  
89791 Långviksmon  
Telefon +46 662-30265

e-mail: info@swg.se  
homepage: www.swg.se