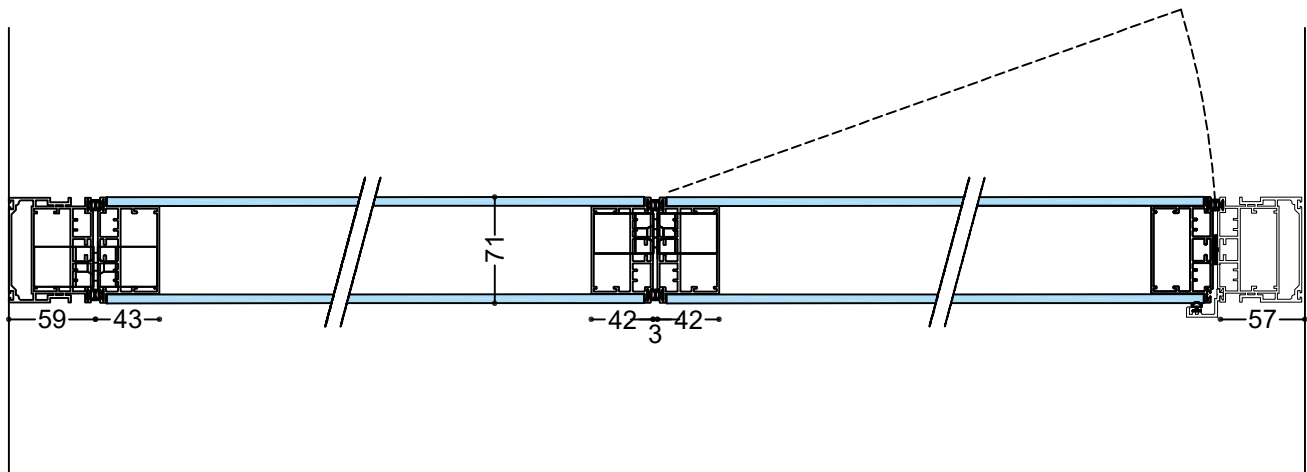


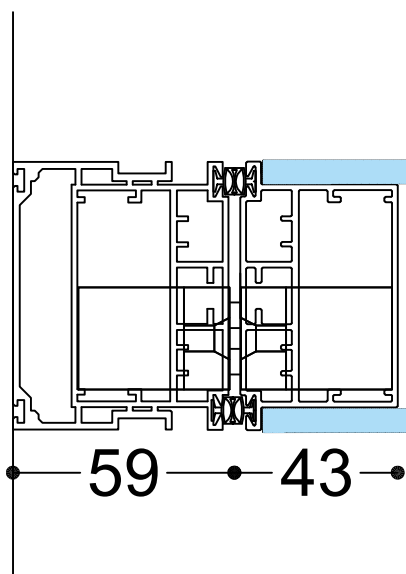
Full glass Folding Partition SWG 960

Horizontal view - panel thickness 71 mm - adjustable jams and build in hidden hinges



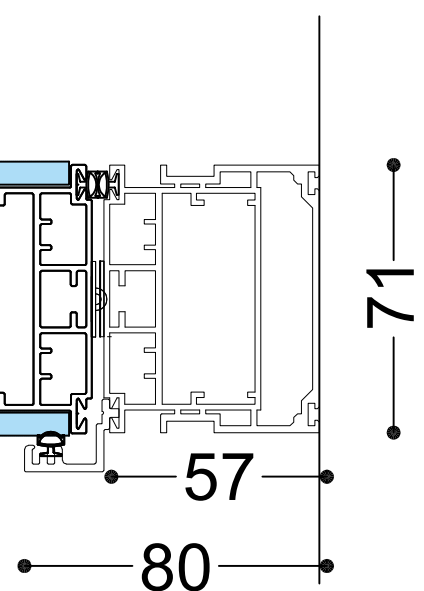
960-301a

Stack jamb -



120-301b wall post stacking side

Closing jamb



120-301c wall post door side

960-301

Type Horizontal view
panel thickness 71 mm

Stack jamb and Closing jamb

Scale 1:5 / 1:2

Size in mm

Date 2023-04

Rev.nr.:

SWG
Scandinavian Wall Group AB
Trastvägen 2
89791 Långviksmon
Telefon +46 662-30265

e-mail: info@swg.se
homepage: www.swg.se