

# H 1003 Serie Croco

design Matteo Thun

Material Brass/ Materiale Ottone

## Product Submittal

Custom finishes available  
 Spring assist built in rosette  
 Passage, privacy, dummy, multipoint, mortise hardware available  
 Accommodates all standard and some custom backset dimensions  
 A complete selection of other matching hardware may be available


 Door levers/Maniglia  
 V&V

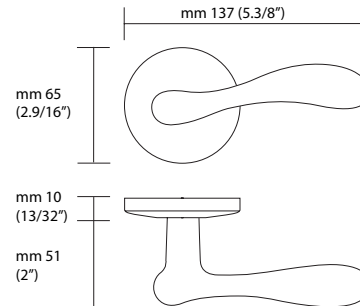
Finish		
03	RP	
03D	RP	
06A	RP	
03/03D	RP	
14	RP	
26D	RP	
26/26D	RP	

**Finishes**  
 03= Polished Brass  
 03D= satin Brass  
 06A= Anticato  
 03/03D= Polished/Satin Brass  
 14= Polished Nickel  
 26D= Satin Chrome  
 26/26D= Polished/Satin Chrome

**Functions**  
 PGE= passage  
 PCY= privacy  
 DMY= dummy  
 ML-F= mortise lock  
 MULTI-POINT TRIM

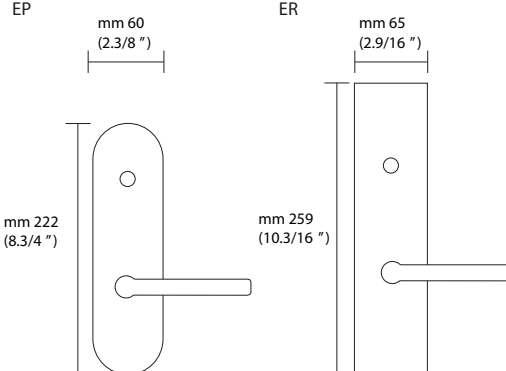
**Trim Options**  
 RP= standard plain style rosette  
 EP= plain style long escutcheon plates  
 ER= rectangular style long escutcheon plates

### Sizes /Misure



Finish		
03	EP	
03D	EP	
03/03D	EP	
15	EP	ER
26D	EP	ER
26/26D	EP	ER

### Escutcheon options /Opzioni



Valli&Valli USA Inc  
 Architects and Designers Building  
 964 Third Ave., Suite 563/Annex  
 New York, NY 10155  
 Tel. +1 (212) 326 8811  
 Fax +1 (212) 326 8816  
 Toll Free (877) 326 2565  
 website: www.vallivalli-us.com

To order Valli&Valli products, informations should be specified in the same sequence as the example given:

- |                             |                             |                           |                       |                        |                            |  |
|-----------------------------|-----------------------------|---------------------------|-----------------------|------------------------|----------------------------|--|
| <b>1.Lever/Knob</b><br>HXXX | <b>2.Trim options</b><br>RT | <b>3.Function</b><br>ML F | <b>4.Finish</b><br>03 | <b>5.Handing</b><br>RH | <b>6.Backset</b><br>2-1/2" | <b>7.Miscellaneous</b><br>2-1/4" thick |
|-----------------------------|-----------------------------|---------------------------|-----------------------|------------------------|----------------------------|--|

For small rosette, please specify RS (45 mm rosette). RS pricing is the same as RP/RT pricing. Privacy RS also requires 105 RSP when ordering. RQ (2.9/16" rosette) for standard 2.1/8" cross bore.

Warehouse  
 100 Commerce Way Suite 2  
 Hackensack, NJ 07601  
 Tel. +1 (973) 249 0085  
 Fax +1 (973) 249 0135