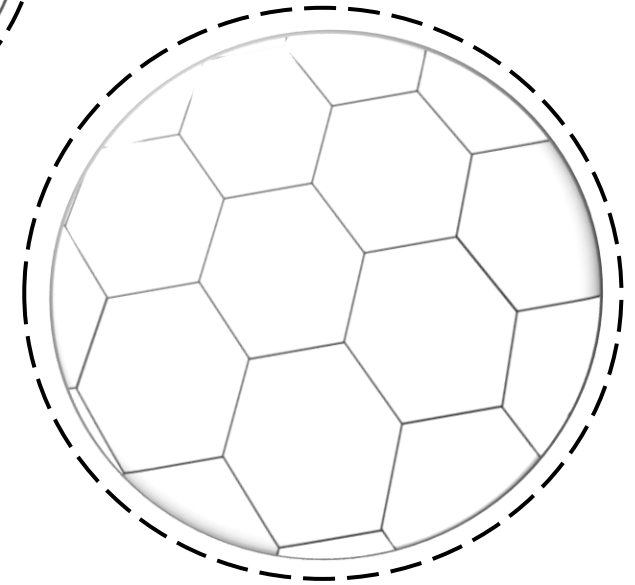
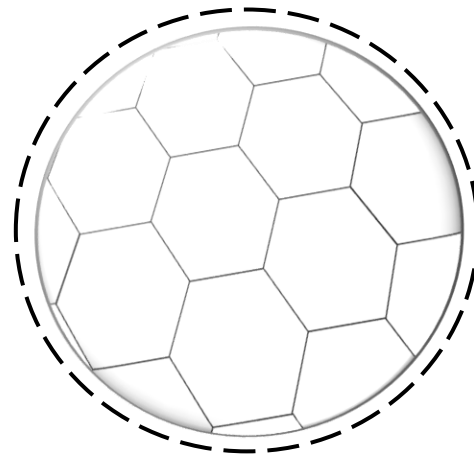
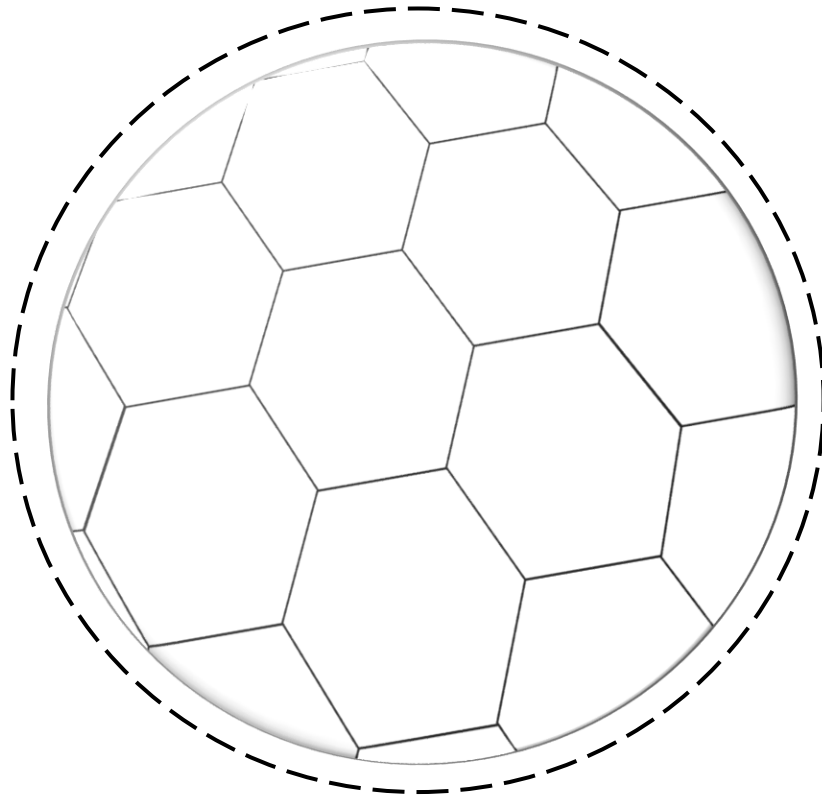


Name: _____

Date: _____

Cutting Objects

Cut out the objects and stick them together, largest to smallest.

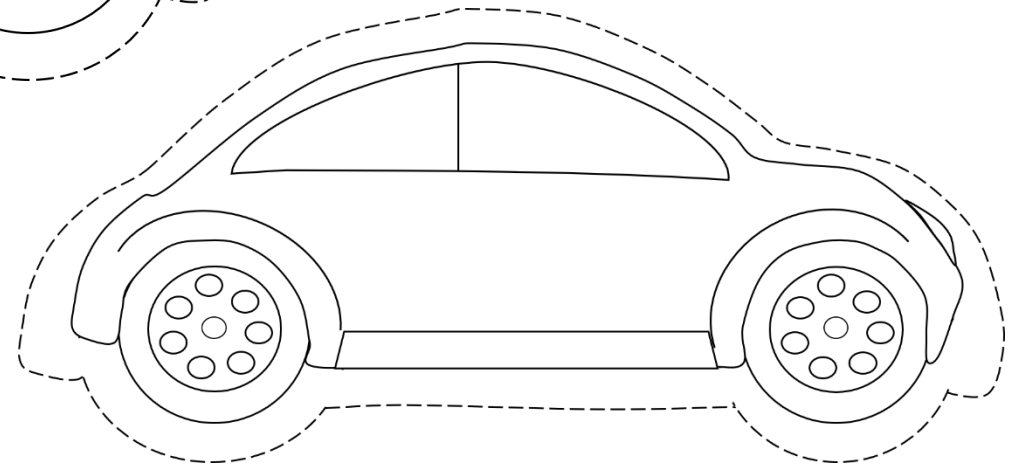
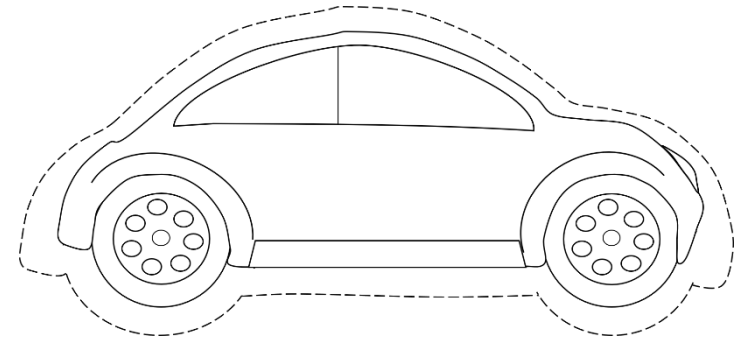
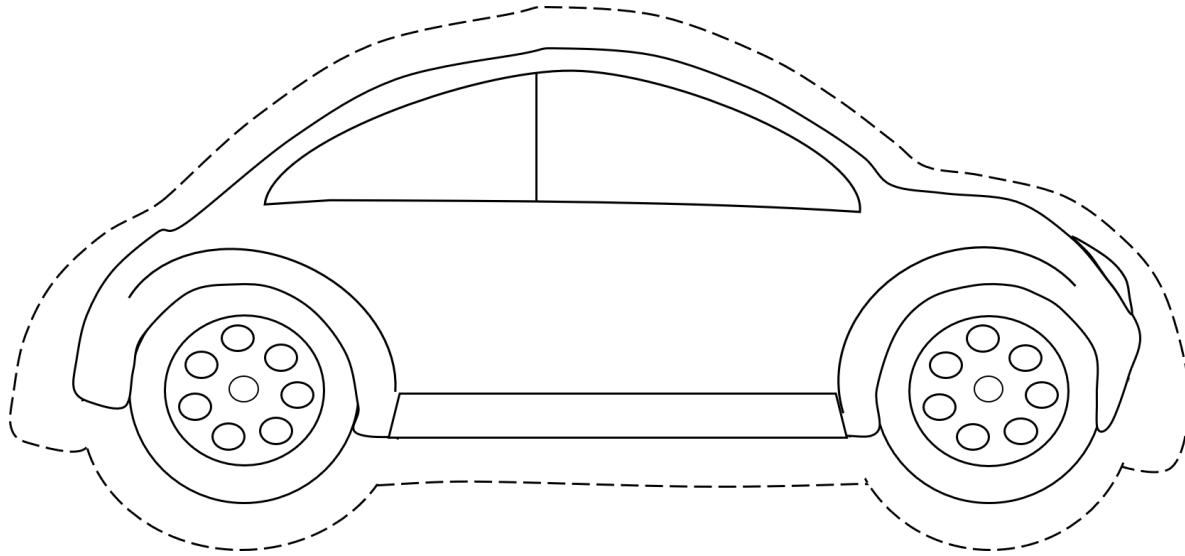


Name: _____

Date: _____

Cutting Objects

Cut out the objects and stick them together, largest to smallest.

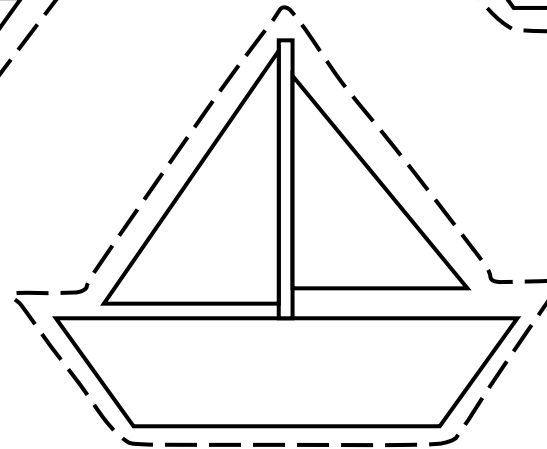
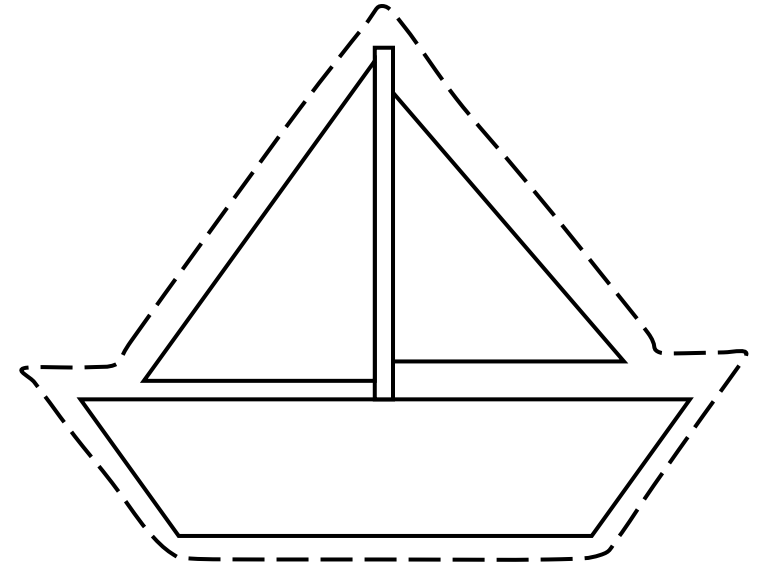
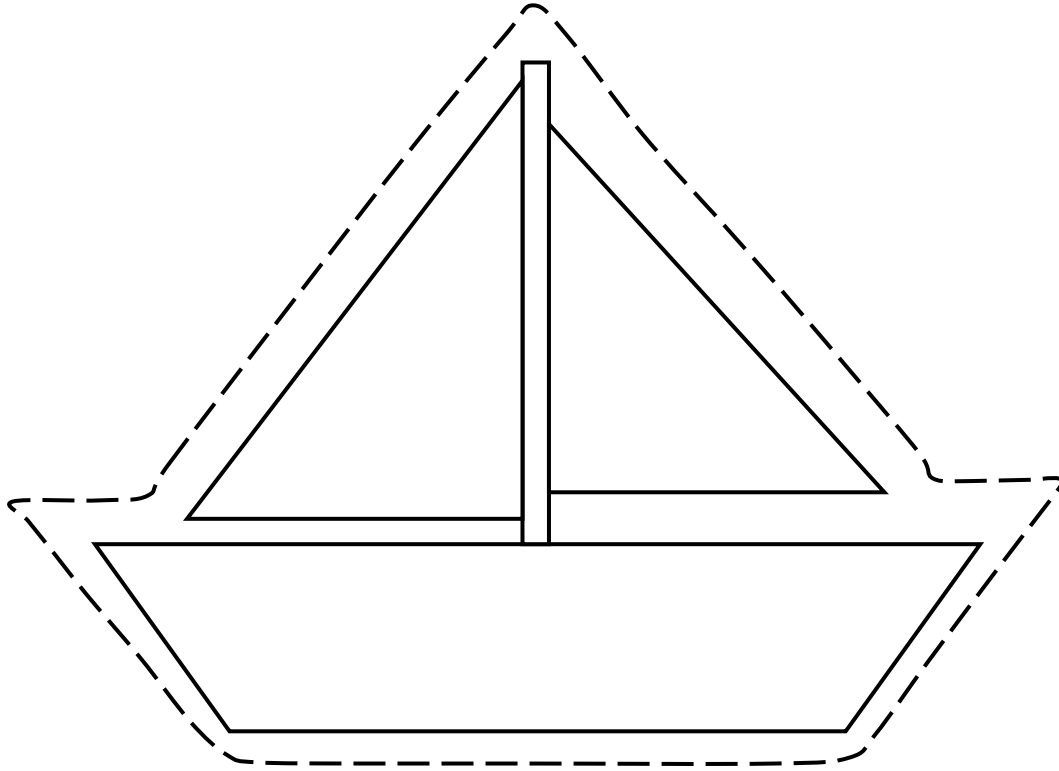


Name: _____

Date: _____

Cutting Objects

Cut out the objects and stick them together, largest to smallest.

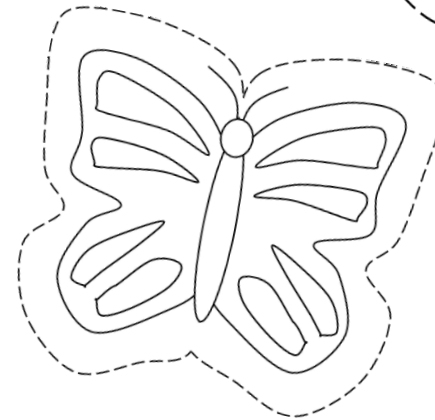
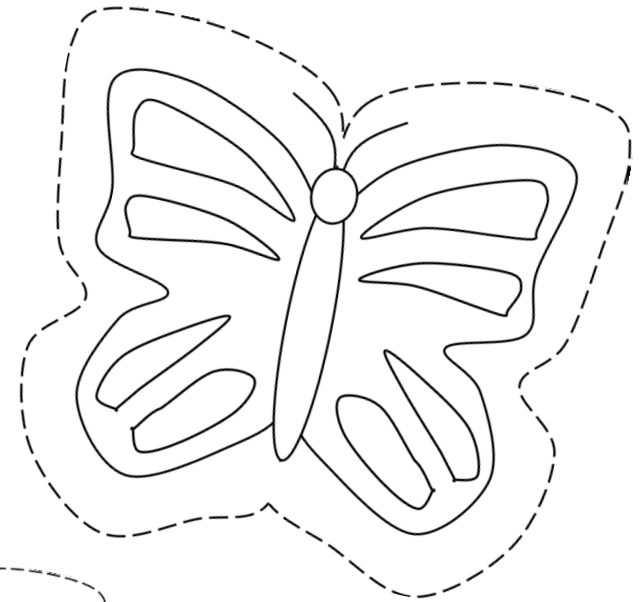
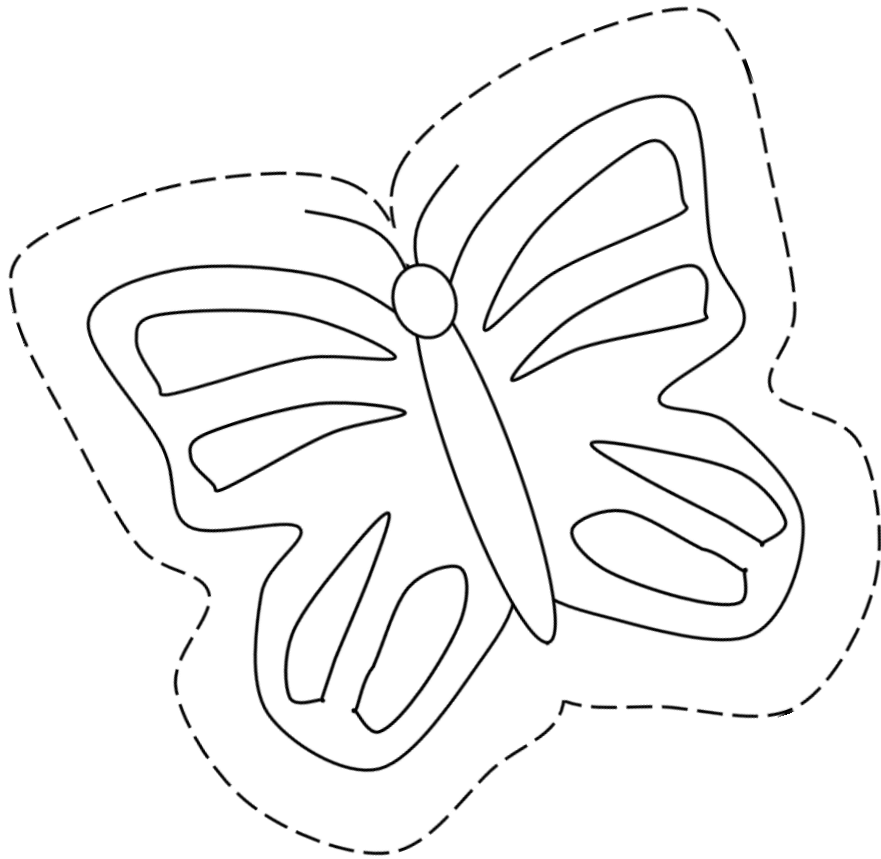


Name: _____

Date: _____

Cutting Objects

Cut out the objects and stick them together, largest to smallest.



Name: _____

Date: _____

Cutting Objects

Cut out the objects and stick them together, largest to smallest.

