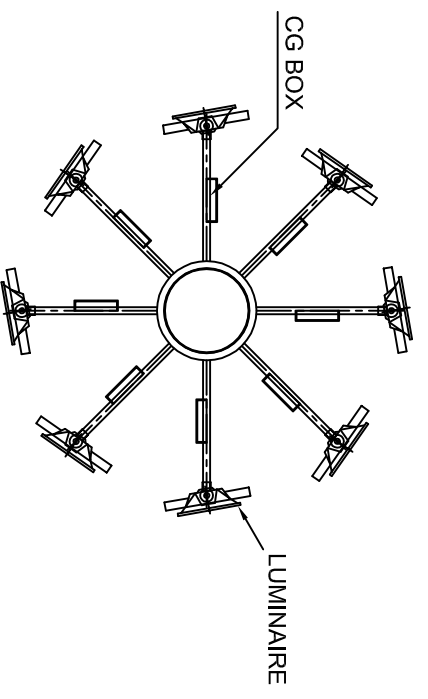


VIEW "A"- "A"

NOTES

- 1] ALL DIMENSIONS ARE IN M.M.
- 2] DESIGN STANDARD I.L.E TECHNICAL REPORT NO. 7:2000
- 3] MATERIALS :
SHAFT/GUSSETS : S355 AS PER BS EN 10025 : 2004
FLANGE/DOOR STIFFENER : AS PER IS-2062
- 4] FINISHING : HOT DIP GALVANISED TO BS EN ISO 1461
- 5] LENGTH OF SECTION
a] BOTTOM - 10980 MM APPROX.
b] TOP - 5420 MM APPROX.
c] THE TOLERENCE IN A/F DIMENSION ARE -0/+3mm
- 6] THE A/F DIMENSIONS ARE OUTSIDE TO OUTSIDE.
- 7] THE DOOR SHALL BE VANDAL PROOF AND WEATHER PROTECTED
- 8] MAKE OF THE MAST SHALL BE "BAJAJ".
- 9] THE MAST WILL HAVE PADLOCKING ARRANGEMENT IN THE CENTER AND 2 Nos ALLEN BOLT AT TOP AND BOTTOM
- 10] MAKE OF THE INTEGRAL MOTOR SHALL BE HINDUSTAN BRAND / HEM
- 11] TRAILING CABLE MANSFIELD / SUN BRAND / BMI / UNIFLEX / REPUTED BRANDS
- 12] WIRE ROPE - BHARAT WIRE ROPES LTD. / SSWRL
- 13] FOUNDATION BOLT SHALL BE -
T.S. 600 N/Sq.mm Y.S.-405 N/Sq.mm
- 14] SUITABLE FOR MAX. WIND SPEED : - 50 / 47 / 44 / 39 m/s

8 ARM LUMINAIRE CARRIAGE FITTED WITH 8 LUMINAIRES SYMMETRICAL (TYPICAL ARRANGEMENT)



ENLARGED DETAIL AT BASE WITH LUMINAIRE CARRIAGE LOWERED

CLIENT	-
PROJECT	16 M HIGH MAST LIGHTING SYSTEM
APPROVED MANUFACTURER	BAJAJ ENGINEERING & PROJECTS Leaders in Lighting & Power Systems
DATE	01.01.2013
TITLE	INDICATIVE GENERAL ARRANGEMENT DWG. FOR 16 M HIGH MAST (8 LUM. @ 50 / 47 / 44 / 39 m/s)
DRWN BY	-
DSGD BY	-
CHKD BY	-
APPRD BY	-
DRG. NO.	E&PBU-BMRLMW 16L-04-001
REV. NO.	00
SHT	1 OF 1