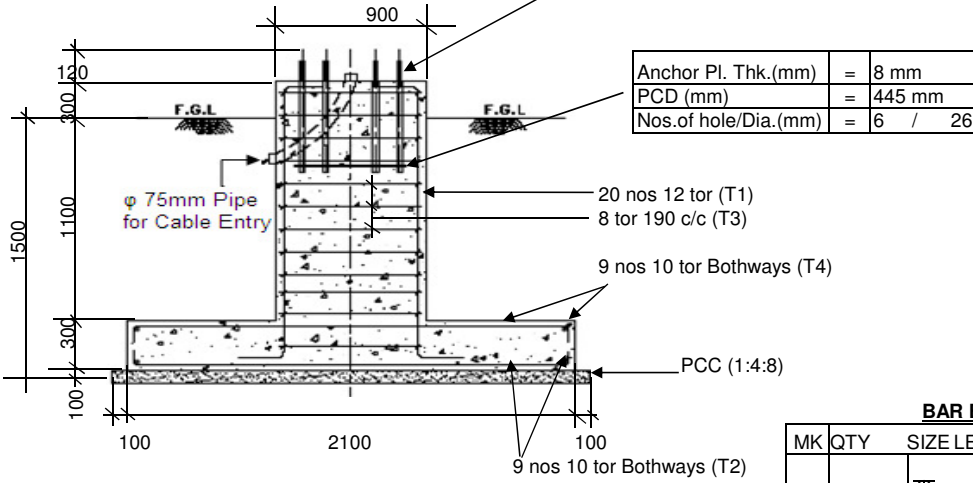
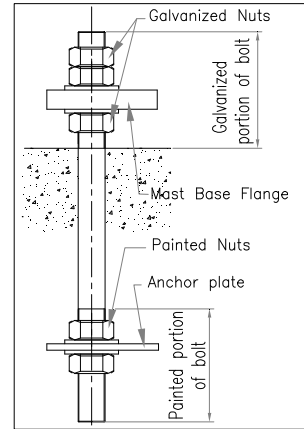
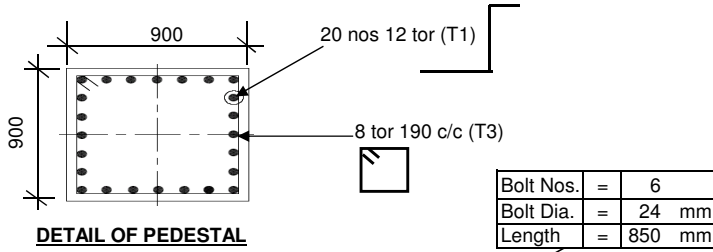


BEFORE CASTING THE FOUNDATION VERIFY THE DIMENSIONS OF THE FOUNDATION BOLT (DIA.& QTY.) AND ANCHOR PLATE (PCD) WITH RESPECT TO THE DIMENSIONS MENTIONED IN THIS DRG.

FOUNDATION LOADINGS		
WIND SPEED	(M/SEC)	39
BENDING MOMENT	(T-M)	3.834
HORIZONTAL SHEAR	(T)	0.477
VERTICAL LOAD	(T)	0.869
MAX GR BEARING		
PRESSURE	(T/M ²)	6.042
SAFETY FACTOR AGAINST OVERTURNING		2.118
CONCRETE MIX VIBRATED		M-20
MIN COVER	(MM)	50
STEEL		Fe-415
SOIL BEARING CAPACITY	(T/M ²)	10.00
PROJECTED AREA	(M ²)	0.970

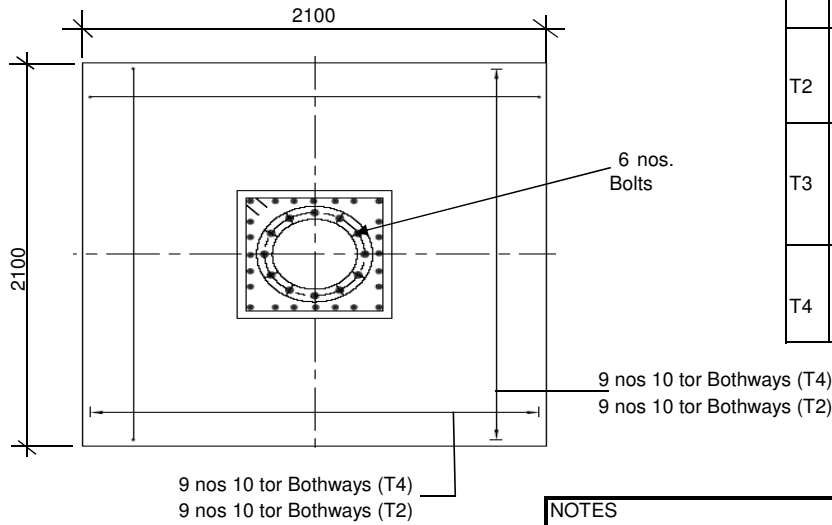


BAR BENDING SCHEDULE

MK	QTY	SIZE	LENGTH	SHAPE
T1	20	Φ12	1995	
T2	18	Φ10	2200	
T3	9	Φ8	3392	
T4	18	Φ10	2200	

QUANTITIES

RCC (M ³)	PCC (M ³)	STEEL (kg)
2.46	0.53	101.237



NOTES

- 1- ALL DIMENSIONS ARE IN MM. DO NOT SCALE THE DRAWING
- 2- MIN. LAP LENGTH OF BARS SHALL BE 50xD. UNLESS OTHERWISE STATED.
- 3- WE RECOMMENDED THAT MAST FLANGE REMAIN UNGROUTED
- 4- IF GROUTING IS CARRIED OUT IT IS ESSENTIAL TO LEAVE A MINIMUM OF 4 NOS 25MM DIA DUCTS EQUALLY SPACED AROUND THE FLANGE TO ALLOW DRAINAGE AND VENTILATION
- 5- BARS DRAWN IN THE DRAWING ARE FOR ILLUSTRATION ONLY. REFER TO THE NUMBERS SHOWN FOR ACTUAL REINFORCEMENT QUANTITY.

This drawing is the property of "BAJAJ ELECTRICALS LTD." & must be returned on request. It is submitted as confidential information in connection with enquiry, tender, orders or contracts. It is not to be used for any other purpose or order nor may it be re-copied or lent without our authority in writing

REV	DESCRIPTION	DATE

DATE	20/5/16
DRN BY	AUTO
DSGD BY	VDH
CHKD BY	SRH
APPRD BY	CSM
SCALE	NTS

**TITLE: General Arrangement Foundation
Drawing for 16m High Mast**
PROJECT: M/s-



Bajaj Electricals Limited
DRAWING NUMBER: -
BHMRL16B-39mps

Sheet No.	Rev.
01 of 01	0