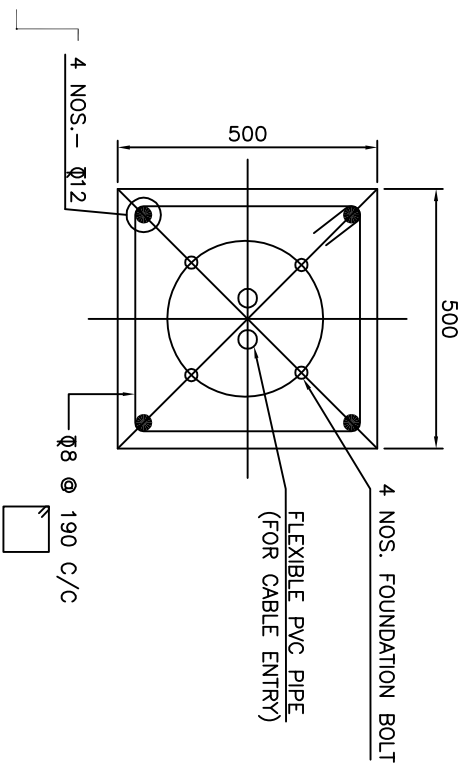


DETAIL OF CIVIL FOUNDATION



SECTION C-C

- NOTES:**
1. Grade of steel reinforcement (for R.C.C.) – Fe 415
 2. Clear cover to reinforcement – 50 mm
 3. Assumed S.B.C. – 10 T/Sq.mtr. (minimum)
 4. CONCRETE VIBRATED
 5. USE SHUTTERING


REV	DATE	DESCRIPTION
01		
02		
03		
04		

CLIENT

DATE	23.04.13
DRN BY	YM
DESIGN BY	VM
CHD BY	AS
AUTHD BY	CM

TITLE
FOUNDATION DRAWING FOR 6 M OCTAGONAL POLE
CAT NO. BOP - 6030

This drawing is the property of "BAJAJ ELECTRICALS LTD." & must be returned on request. It is submitted as confidential information in connection with enquiry, tenders, orders or contracts. It is not to be used for any other purpose or order nor may it re-copied or lent without our authority in writing.



BAJAJ ENGINEERING & PROJECTS
Leaders in Lighting & Power Systems

SCALE	DRAWING NUMBER	SHEET NO. / REV
N.T.S	SL-OP-FD-6-130-70-3-S	01 OF 01 00