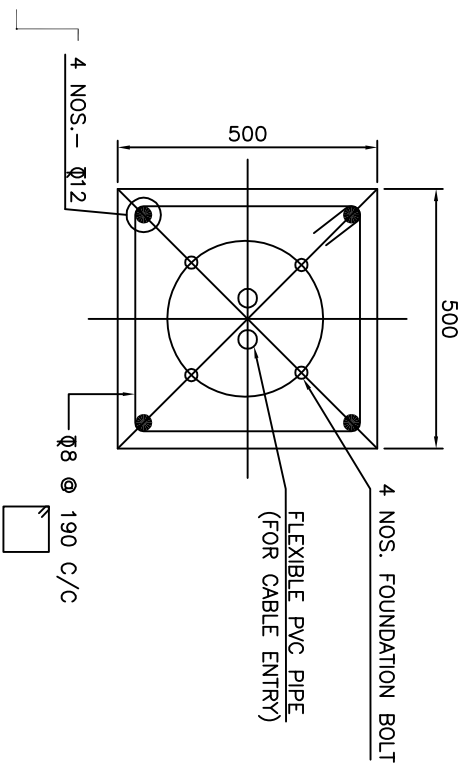


DETAIL OF CIVIL FOUNDATION



SECTION C-C

- NOTES:**
1. Grade of steel reinforcement (for R.C.C.) – Fe 415
 2. Clear cover to reinforcement – 50 mm
 3. Assumed S.B.C. – 10 T/Sq.mtr. (minimum)
 4. CONCRETE VIBRATED
 5. USE SHUTTERING

This drawing is the property of "BAJAJ ELECTRICALS LTD." & must be returned on request. It is submitted as confidential information in connection with enquiry, tenders, orders or contracts. It is not to be used for any other purpose or order nor may it re-copied or lent without our authority in writing.



REV	DATE	DESCRIPTION	CLIENT	DATE	23.04.13	TITLE	CAT NO.	SCALE	DRAWING NUMBER	SHEET NO.	REV	
01				DRN BY	YM	FOUNDATION DRAWING FOR 7 M OCTAGONAL POLE	BOP - 7030	N.T.S	SL-OP-FD-7-130-70-3-S	01	OF 01	00
02			DESIGN BY	VM								
03			CHD BY	AS								
04			AUTHD BY	CM								