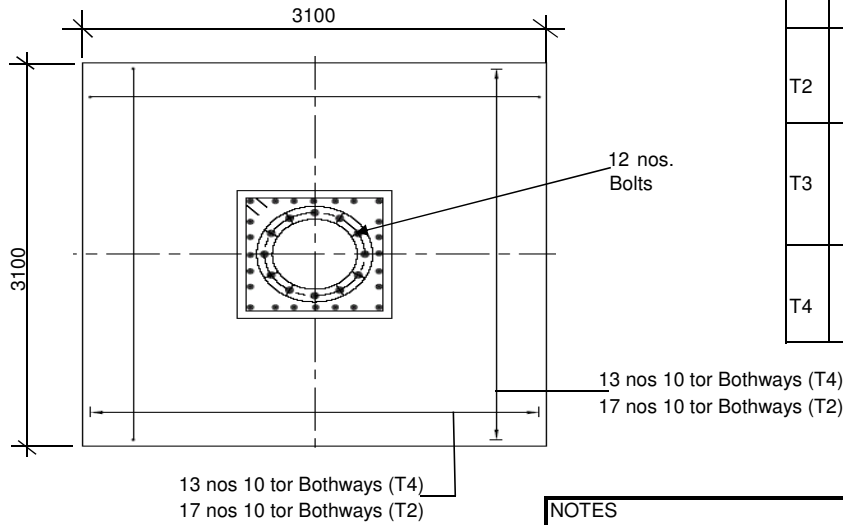
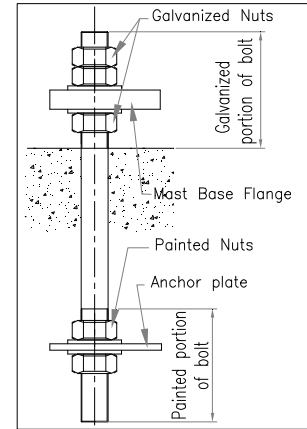
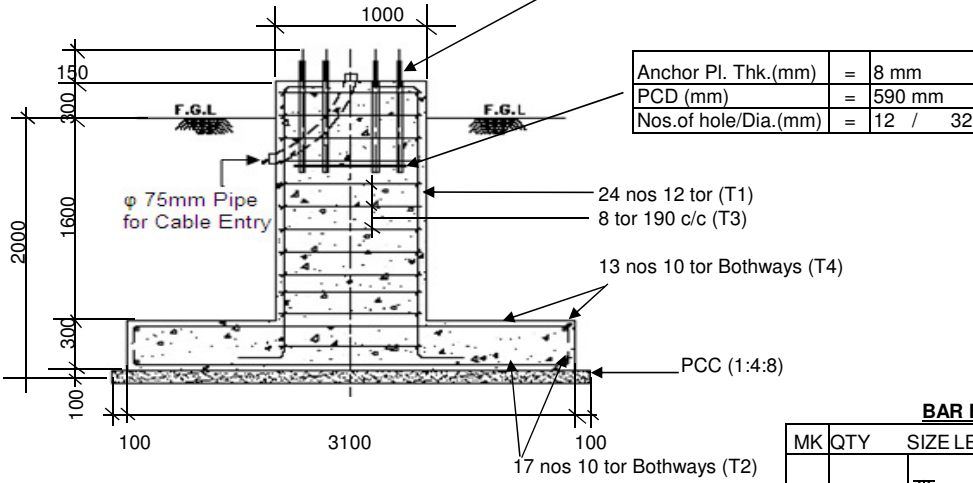
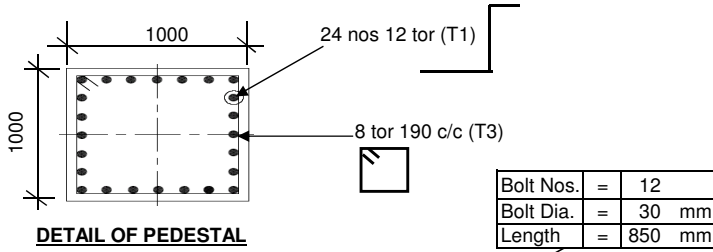


BEFORE CASTING THE FOUNDATION VERIFY THE DIMENSIONS OF THE FOUNDATION BOLT (DIA.& QTY.) AND ANCHOR PLATE (PCD) WITH RESPECT TO THE DIMENSIONS MENTIONED IN THIS DRG.

FOUNDATION LOADINGS		
WIND SPEED	(M/SEC)	47
BENDING MOMENT	(T-M)	14.812
HORIZONTAL SHEAR	(T)	1.296
VERTICAL LOAD	(T)	1.381
MAX GR BEARING		
PRESSURE	(T/M ²)	7.235
SAFETY FACTOR AGAINST OVERTURNING		1.993
CONCRETE MIX VIBRATED		M-20
MIN COVER	(MM)	50
STEEL		Fe-415
SOIL BEARING CAPACITY	(T/M ²)	10.00
PROJECTED AREA	(M ²)	1.434



BAR BENDING SCHEDULE				
MK	QTY	SIZE	LENGTH	SHAPE
T1	24	Φ12	2495	
T2	34	Φ10	3200	
T3	12	Φ8	3792	
T4	26	Φ10	3200	

QUANTITIES		
RCC (M ³)	PCC (M ³)	STEEL (kg)
4.78	1.09	199.208

- NOTES**
- 1- ALL DIMENSIONS ARE IN MM. DO NOT SCALE THE DRAWING
 - 2- MIN. LAP LENGTH OF BARS SHALL BE 50xD. UNLESS OTHERWISE STATED.
 - 3- WE RECOMMENDED THAT MAST FLANGE REMAIN UNGROUTED
 - 4- IF GROUTING IS CARRIED OUT IT IS ESSENTIAL TO LEAVE A MINIMUM OF 4 NOS 25MM DIA DUCTS EQUALLY SPACED AROUND THE FLANGE TO ALLOW DRAINAGE AND VENTILATION
 - 5- BARS DRAWN IN THE DRAWING ARE FOR ILLUSTRATION ONLY. REFER TO THE NUMBERS SHOWN FOR ACTUAL REINFORCEMENT QUANTITY.

REV	DESCRIPTION	DATE

This drawing is the property of "BAJAJ ELECTRICALS LTD." & must be returned on request. It is submitted as confidential information in connection with enquiry, tender, orders or contracts. It is not to be used for any other purpose or order nor may it re-copied or lent without our authority in writing

DATE	18/5/16
DRN BY	AUTO
DSGD BY	VDH
CHKD BY	SRH
APPRD BY	CSM
SCALE	NTS

TITLE: General Arrangement Foundation
Drawing for 25m High Mast
PROJECT: M/s-



Bajaj Electricals Limited
DRAWING NUMBER: -
BHMRL25A-47mps

Sheet No.	Rev.
01 of 01	0