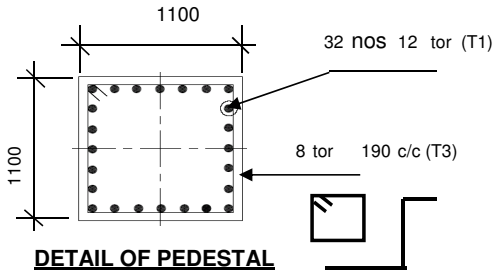


BEFORE CASTING THE FOUNDATION VERIFY THE DIMENSIONS OF THE FOUNDATION BOLT (DIA. & QTY.) AND ANCHOR PLATE (PCD) WITH RESPECT TO THE DIMENSIONS MENTIONED IN THIS DRG.

FOUNDATION LOADINGS

WIND SPEED	M/SEC	47
BENDING MOMENT	T-M	16.227
HORIZONTAL SHEAR	T	1.195
VERTICAL LOAD	T	1.488
MAX GR BEARING PRESSURE	T/Sqm	7.603
SAFETY FACTOR AGAINST OVERTURNING		1.892
CONCRETE MIX VIBRATED		M-20
MIN COVER [MM]		50
STEEL		Fe-415
NET SOIL BEARING CAPACITY (T/m ²)		10.00
PROJECTED AREA	Sqm	0.804

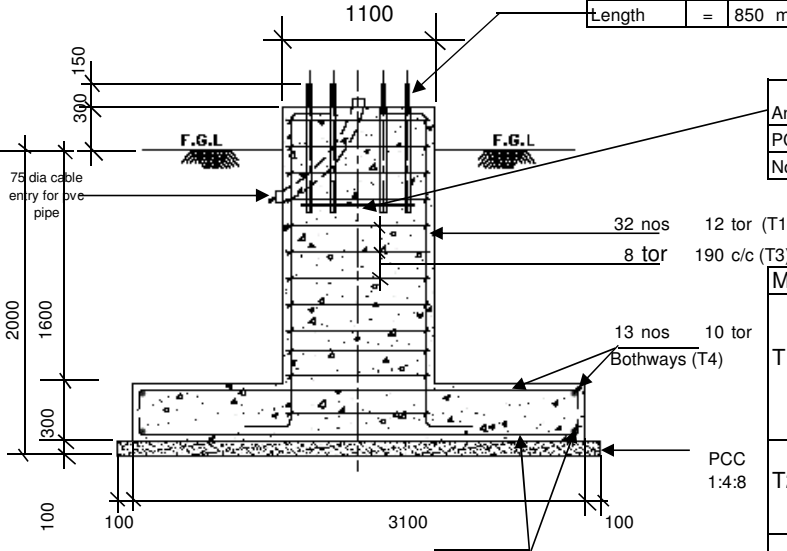


Bolt Nos.	=	12
Bolt Dia.	=	30 mm
Length	=	850 mm

QUANTITIES

RCC IN CUM	PCC IN CUM	STEEL IN KGS
5.18	1.09	217

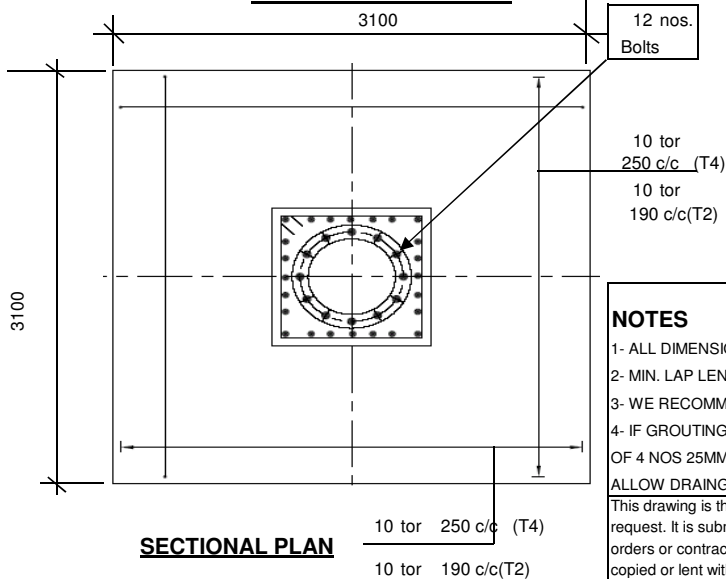
Anchor Pl. Thk.(mm)	=	8
PCD (mm)	=	650 mm
Nos.of hole/Dia.(mm)	=	12 / 32



BAR BENDING SCHEDULE

MK	QTY	SIZE	LENGTH	SHAPE
T1	32	Φ 12	2495	2075 100
T2	34	Φ 10	3200	3000 100
T3	12	Φ 8	4192	1000 1000
T4	26	Φ 10	3200	3000 100

SECTIONAL ELEVATION



SECTIONAL PLAN

NOTES

- 1- ALL DIMENSIONS ARE IN MM. DO NOT SCALE THE DRAWING
- 2- MIN. LAP LENGTH OF BARS SHALL BE 50xD. UNLESS OTHERWISE STATED.
- 3- WE RECOMMENDED THAT MAST FLANGE REMAIN UNGROUTED
- 4- IF GROUTING IS CARRIED OUT IT IS ESSENTIAL TO LEAVE A MINIMUM OF 4 NOS 25MM DIA DUCTS EQUALLY SPACED AROUND THE FLANGE TO ALLOW DRAINAGE AND VENTILATION

This drawing is the property of "BAJAJ ELECTRICALS LTD." & must be returned on request. It is submitted as confidential information in connection with enquiry, tender, orders or contracts. It is not to be used for any other purpose or order nor may it be re-copied or lent without our authority in writing

DATE	29/3/16	TITLE : GENERAL ARRANGEMENT FOUNDATION DRG FOR 30.5 MTS FLAG MAST
DRN BY	AUTO	
DSGD BY	VDH	PROJECT : BAJAJ STANDARD FLAG MAST
CHKD BY	SRH	
APPRD BY	CSM	
SCALE	NTS	

		Bajaj Electricals Limited	
FILE PATH	MAST\35.5m Flag Mast\47 mps\FMSTD-30.5m	sheet no	REV
DRAWING NUMBER	n FM-STANDARD-47mps-R0-SRH.xlsx\foundation-cal	01 OF 01	0