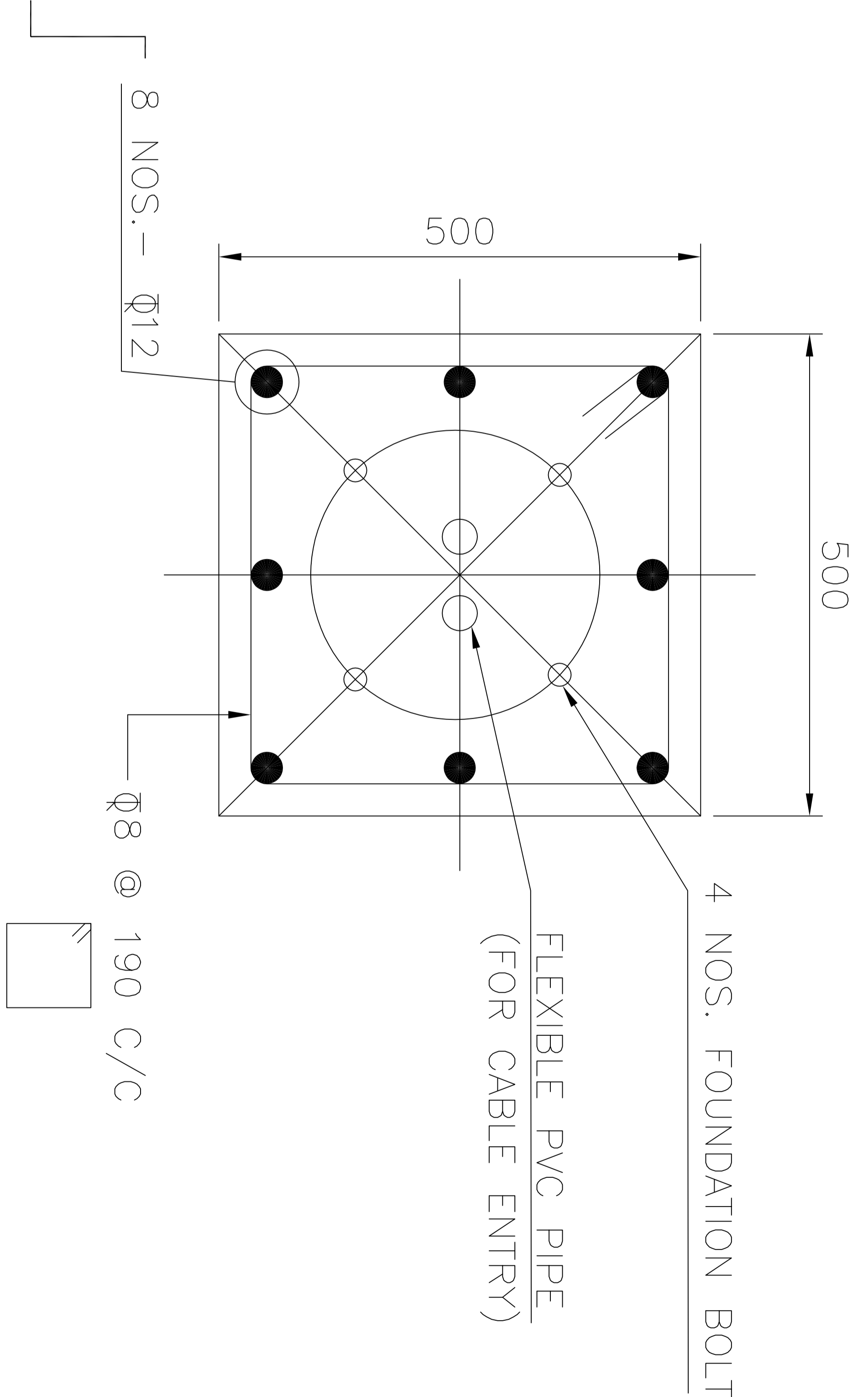


DETAIL OF CIVIL FOUNDATION



SECTION C-C

- NOTES:
1. Grade of steel reinforcement (for R.C.C.) – Fe 415
  2. Clear cover to reinforcement – 50 mm
  3. Assumed S.B.C. – 10 T/Sq.mtr. (minimum)
  4. CONCRETE VIBRATED
  5. USE SHUTTERING

This drawing is the property of "BAJAJ ELECTRICALS LTD." & must be returned on request. It is submitted as confidential information in connection with enquiry, tenders, orders or contracts. It is not to be used for any other purpose or order nor may it re-copied or lent without our authority in writing.

REV	DATE	DESCRIPTION	CLIENT	DATE	23.04.13	TITLE	CAT NO.	SCALE	DRAWING NUMBER	SHEET NO. REV
01			FOUNDATION DRAWING FOR 10 M BSR POLE	DRN BY	YM	BSR - 1030	N.T.S	SL-SR-FD-10-200-100-3-S	01 OF 01 00	
02				DESIGN BY	VM					
03				CHD.BY	AS					
04				AUTHD BY	CM					

