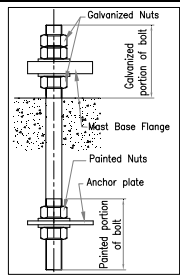
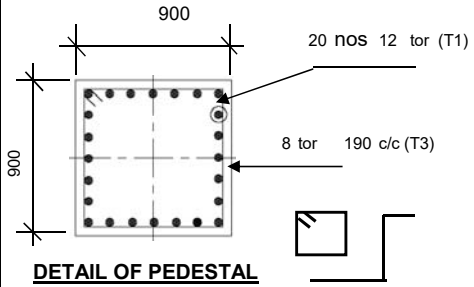


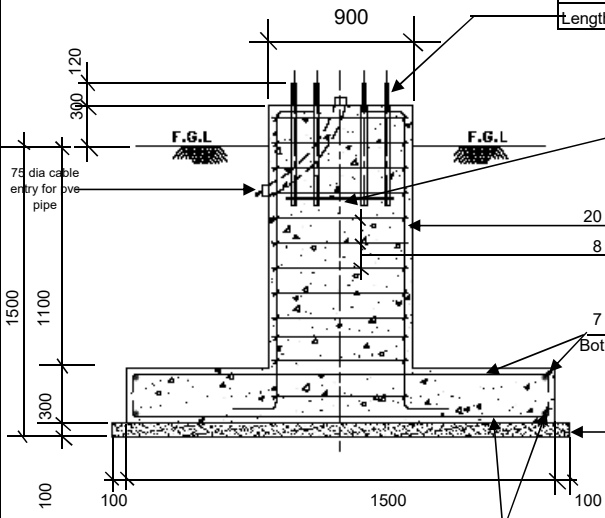
BEFORE CASTING THE FOUNDATION VERIFY THE DIMENSIONS OF THE FOUNDATION BOLT (DIA.& QTY.) AND ANCHOR PLATE (PCD) WITH RESPECT TO THE DIMENSIONS MENTIONED IN THIS DRG.

FOUNDATION LOADINGS		
WIND SPEED	M/SEC	39
BENDING MOMENT	T-M	1.461
HORIZONTAL SHEAR	T	0.247
VERTICAL LOAD	T	0.660
MAX GR BEARING PRESSURE	T/Sqm	6.770
SAFETY FACTOR AGAINST OVERTURNING		2.356
CONCRETE MIX VIBRATED		M-20
MIN COVER [MM]		50
STEEL		Fe-500
NET SOIL BEARING CAPACITY (T/m ²)		10.00
GROSS SOIL BEARING CAPACITY (T/m ²)		12.50
PROJECTED AREA	Sqm	0.455



Bolt Nos.	=	4
Bolt Dia.	=	24 mm
Length	=	850 mm

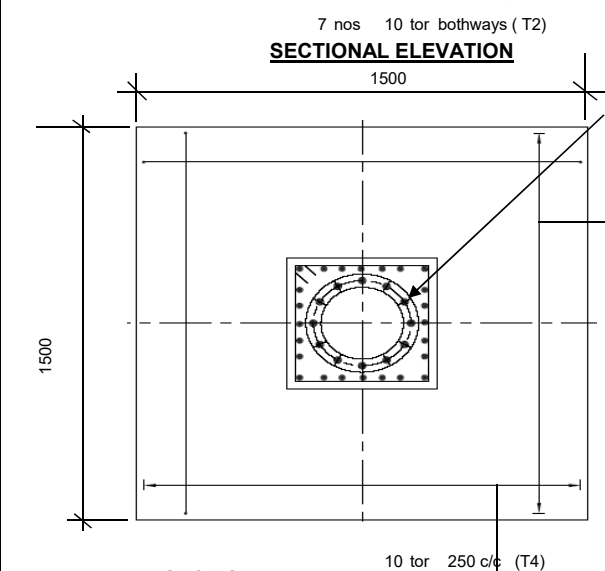
QUANTITIES		
RCC IN CUM	PCC IN CUM	STEEL IN KGS
1.81	0.29	79



Anchor Pl. Thk.(mm)	=	8 mm
PCD (mm)	=	445 mm
Nos.of hole/Dia.(mm)	=	4 / 26

BAR BENDING SCHEDULE

MK	QTY	SIZE	LENGTH	SHAPE
T1	20	Φ 12	1995	
T2	14	Φ 10	1600	
T3	9	Φ 8	3392	
T4	14	Φ 10	1600	



REV	DESCRIPTION	DATE

NOTES

- ALL DIMENSIONS ARE IN MM. DO NOT SCALE THE DRAWING
- MIN. LAP LENGTH OF BARS SHALL BE 50xD. UNLESS OTHERWISE STATED.
- WE RECOMMENDED THAT MAST FLANGE REMAIN UNGROUTED
- IF GROUTING IS CARRIED OUT IT IS ESSENTIAL TO LEAVE A MINIMUM OF 4 NOS 25MM DIA DUCTS EQUALLY SPACED AROUND THE FLANGE TO ALLOW DRAINAGE AND VENTILATION

This drawing is the property of "BAJAJ ELECTRICALS LTD." & must be returned on request. It is submitted as confidential information in connection with enquiry, tender, orders or contracts. It is not to be used for any other purpose or order nor may it be copied or lent without our authority in writing

Motorised Operation

DATE	26/3/19	TITLE : GENERAL ARRANGEMENT FOUNDATION
DRN BY	AUTO	DRG FOR 12.5 MTS MAST
DSGD BY	VDH	PROJECT :
CHKD BY	HVR	
APPRD BY	CSM	
SCALE	NTS	

		FILE PATH	PROJECTS\Projects\1.Pre Order\3.Flag	sheet no	REV
DRAWING NUMBER		D:\H097 data backup\H097 PROJECTS\Projects\1.Pre Order\3.Flag Mast\FM000240-SEEW INDORE\3.Analysis & Design\FM000240-12.5m FM-SEEW INDORE-R0-VDH.xlsx\foundation-cal		01 OF 01	0