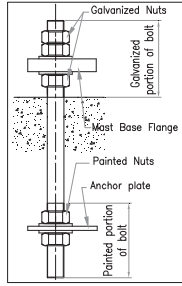
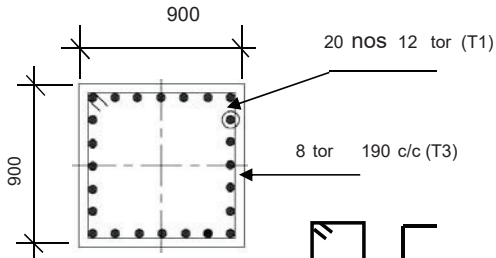


**BEFORE CASTING THE FOUNDATION VERIFY THE DIMENSIONS OF THE FOUNDATION BOLT (DIA. & QTY.) AND ANCHOR PLATE (PCD) WITH RESPECT TO THE DIMENSIONS MENTIONED IN THIS DRG.**

**FOUNDATION LOADINGS**

WIND SPEED	M/SEC	39
BENDING MOMENT	T-M	2.53
HORIZONTAL SHEAR	T	0.32
VERTICAL LOAD	T	0.61
MAX GR BEARING PRESSURE	T/Sqm	5.36
SAFETY FACTOR AGAINST OVERTURNING		2.75
CONCRETE MIX VIBRATED		M-20
MIN COVER [ MM ]		50
STEEL		Fe-500
NET SOIL BEARING CAPACITY (T/m <sup>2</sup> )		10.00
GROSS SOIL BEARING CAPAC (T/m <sup>2</sup> )		12.50
PROJECTED AREA	Sqm	0.612

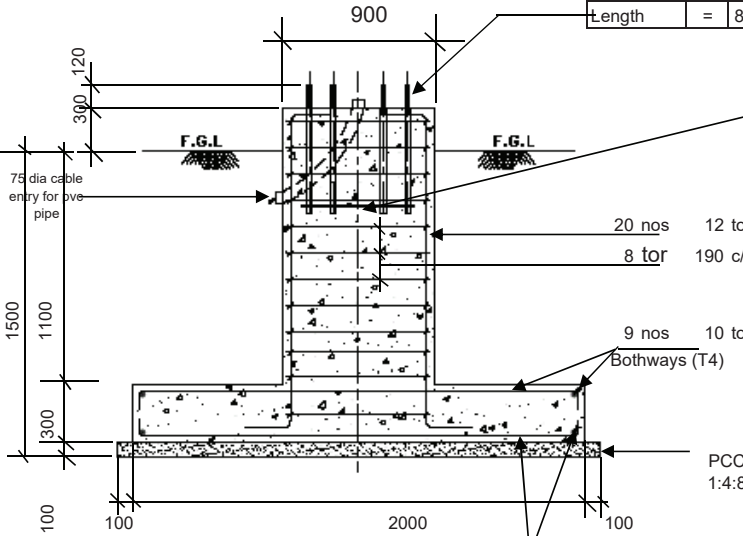


Bolt Nos.	=	8
Bolt Dia.	=	24 mm
Length	=	850 mm

**QUANTITIES**

RCC IN CUM	PCC IN CUM	STEEL IN KGS
2.33	0.48	99

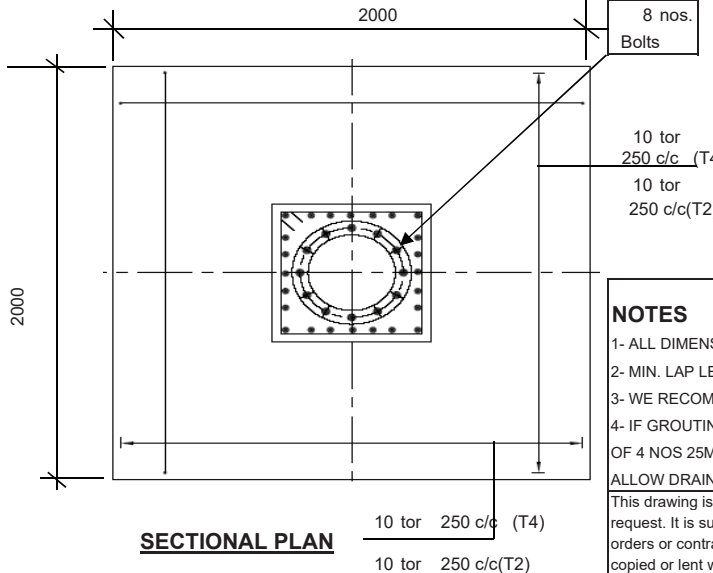
Anchor Pl. Thk.(mm)	=	Not Reqd
PCD (mm)	=	445 mm
Nos.of hole/Dia.(mm)	=	8 / 26



**BAR BENDING SCHEDULE**

MK	QTY	SIZE	LENGTH	SHAPE
T1	20	Φ 12	1995	100
T2	18	Φ 10	2100	100
T3	9	Φ 8	3392	800
T4	18	Φ 10	2100	100

**SECTIONAL ELEVATION**



**SECTIONAL PLAN**

**NOTES**

- 1- ALL DIMENSIONS ARE IN MM. DO NOT SCALE THE DRAWING
- 2- MIN. LAP LENGTH OF BARS SHALL BE 50xD. UNLESS OTHERWISE STATED.
- 3- WE RECOMMENDED THAT MAST FLANGE REMAIN UNGROUTED
- 4- IF GROUTING IS CARRIED OUT IT IS ESSENTIAL TO LEAVE A MINIMUM OF 4 NOS 25MM DIA DUCTS EQUALLY SPACED AROUND THE FLANGE TO ALLOW DRAINAGE AND VENTILATION

This drawing is the property of "BAJAJ ELECTRICALS LTD." & must be returned on request. It is submitted as confidential information in connection with enquiry, tender, orders or contracts. It is not to be used for any other purpose or order nor may it be copied or lent without our authority in writing

DATE	14/3/19	TITLE : GENERAL ARRANGEMENT FOUNDATION
DRN BY	AUTO	DRG FOR 16 MTS MAST
DSGD BY	VDH	PROJECT :
CHKD BY	HVR	
APPRD BY	CSM	
SCALE	NTS	

		<b>Bajaj Electricals Limited</b>	
FILE PATH	Limited\2.2016\Standard Drawings &	sheet no	REV
DRAWING NUMBER	C:\Users\j2701\OneDrive - Bajaj Electricals Limited\2.2016\Standard Drawings & Designs\Standard Flag mast\Design files\16.0M_FM(FMSTD-16.0M_FM-STANDARD-39MPS-R0-HVR-FDN.xlsx)\foundation-cal	01 OF 01	0