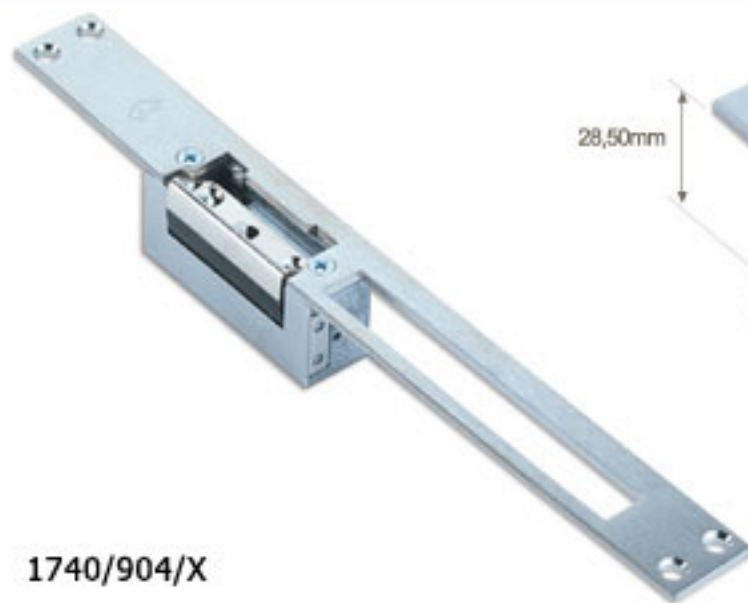
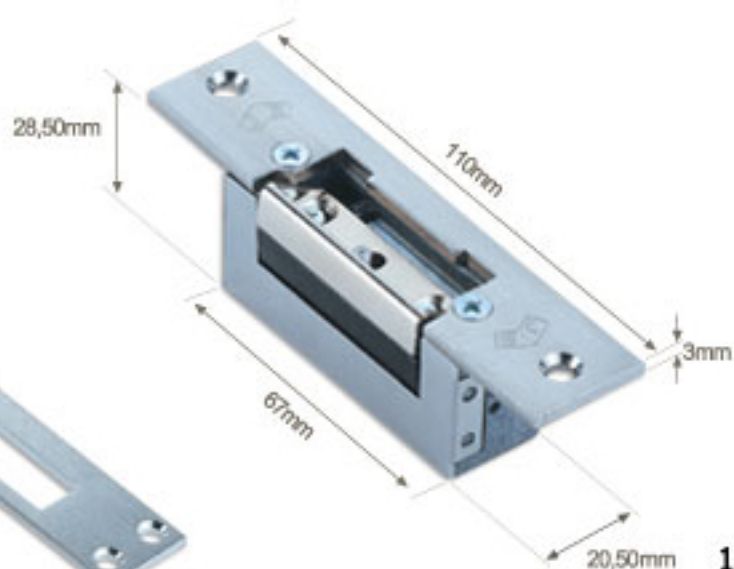


JIS -SERIE 1700

The most versatile series, small size, high performance, appropriate for most front surfaces and locks

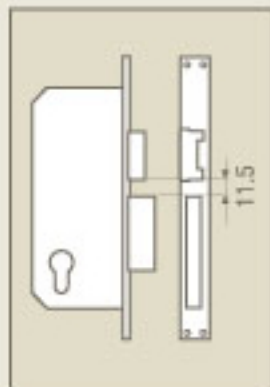


1740/904/X



1730/900/X

Length: 67 mm.
Reversible and symmetrical.



Adjustable latch

1710/1720/1730/1740

1733/1743

1718/1728/1738/1748

⚡ 12V / AC: Standard
24V / AC: Optional
12V / DC: Optional
24V / DC: Optional



Lock



Unlock

17 3

Internal single pulse.

1733/1743

17 8

Low consumption with Diode.

1718/1728

1738/1748

Appropriate Front plates



1710

Opens only during electric pulse



1720

Opens only during electric pulse. Manual releasing lever.



1730

Released and ready for opening only once on electric pulse



1740

Released and ready for opening only once on electric pulse. Manual releasing lever.

