

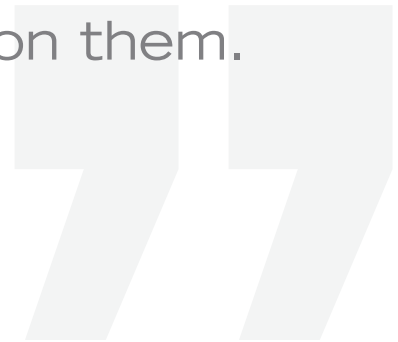
SG SERIES

GEARLESS MACHINES





Understanding the market,
anticipating its needs,
making them ours and
building our projects on them.



Driving the future

Sicor S.R.L., founded in 1981 in Rovereto (TN) as a manufacturer of lifting machines for elevators. Always focused on the application, thanks to a constant process of research and development, Sicor S.R.L. has developed over the years a complete range of products, geared and gearless machines, fit to satisfy the many and varied needs of the market.



Design and production are carried out according to a tested Quality System which guarantees the reliability and performance of the machines.

Each produced motor is subjected to a rigorous final test and quality checks are carried out on all the components.

The test tower allows the verification of machines in the real operating environment of the final customer allowing a perfect set-up.

An innovative online product configurator allows to quickly identify the appropriate traction unit based on the main specifications of the lift system.

SICOR has also certified its quality system, its health and safety management system and its environmental management system according to the most important international standards.

The market needs new answers and Sicor offers them through a new vision, made up of agility, innovation, customer involvement and service quality.



“ INDEX ”

p. 6	Features SGS/SG series
p. 8	Performance
p. 9	Product range
p. 10/11	Load table
p. 12/13	SGS4
p. 14/15	SGS6
p. 16/17	SGS7
p. 18/19	SGS8
p. 20/21	SGS9
p. 22/23	SG10
p. 24/25	SG15/15F
p. 26/27	SG22/22F
p. 28/29	SG30/30F
p. 30/31	SG38/38F
p. 32/33	SG40HF
p. 34/35	SG48/48F/HF
p. 36/37	SG53/53F
p. 38/39	SG58/58F
p. 40/41	SG62/62F
p. 42/43	SG70/70F
p. 44/45	SG75/75F
p. 47	Traction sheaves
p. 48	Motors table voltage 360V
p. 49	Motors table voltage 208V
p. 50	Bedplate

SGS/SG series features

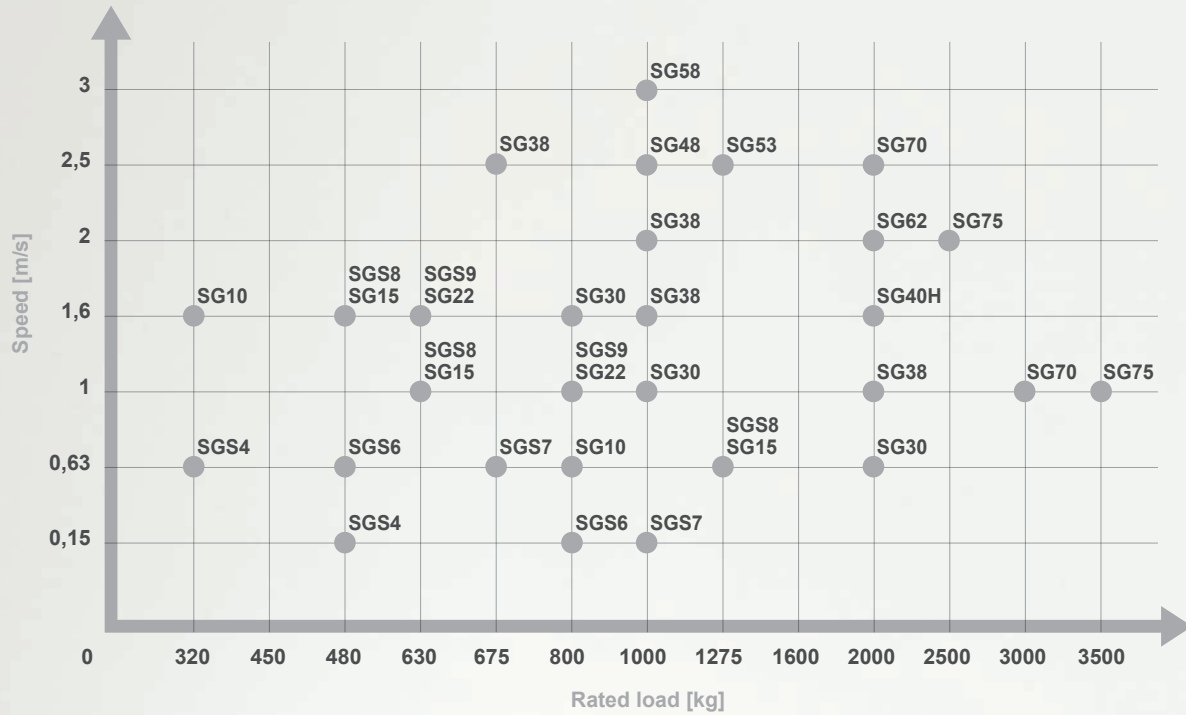
Motor	Rated Torque	Power Range min - max	Maximum Static Load	Maximum Weight	Forced Cooling
	[Nm]	[kW]	[kN - kg]	[kg]	
SGS4	90	0,6 - 2,9	19,6 - 2000	95	●
SGS6	145	0,9 - 4,8	19,6 - 2000	100	●
SGS7	160	1,0 - 5,4	19,6 - 2000	104	●
SGS8	245	3,1 - 7,4	29,4 - 3000	138	●
SGS9	290	3,6 - 8,8	29,4 - 3000	142	●
SG10	165	2,1 - 5	34,3 - 3500	142	--
SG15 / F	245	2,5 - 7,4	34,3 - 3500	155	○
SG22 / F	290	3,1 - 8,8	34,3 - 3500	163	○
SG30 / F	395	4,1 - 13,9	34,3 - 3500	193	○
SG38 / F	490	5,2 - 19,5	34,3 - 3500	226	○
SG40HF	550	6,9 - 21,9	34,3 - 3500	258	●
SG48 / F / HF	720	4,1 - 23,4	34,3 - 3500	364	○
SG53 / F	900	5,1 - 29,2	39,2 - 4000	396	○
SG58 / F	1065	6 - 34,6	39,2 - 4000	446	○
SG62 / F	1310	5,5 - 32,9	54 - 5500	520	○
SG70 / F	1960	8,2 - 49,3	58,9 - 6000	713	○
SG75 / F	2350	9,8 - 59,1	78,5 - 8000	888	○

● Standard equipment. ○ Available. -- Not available.

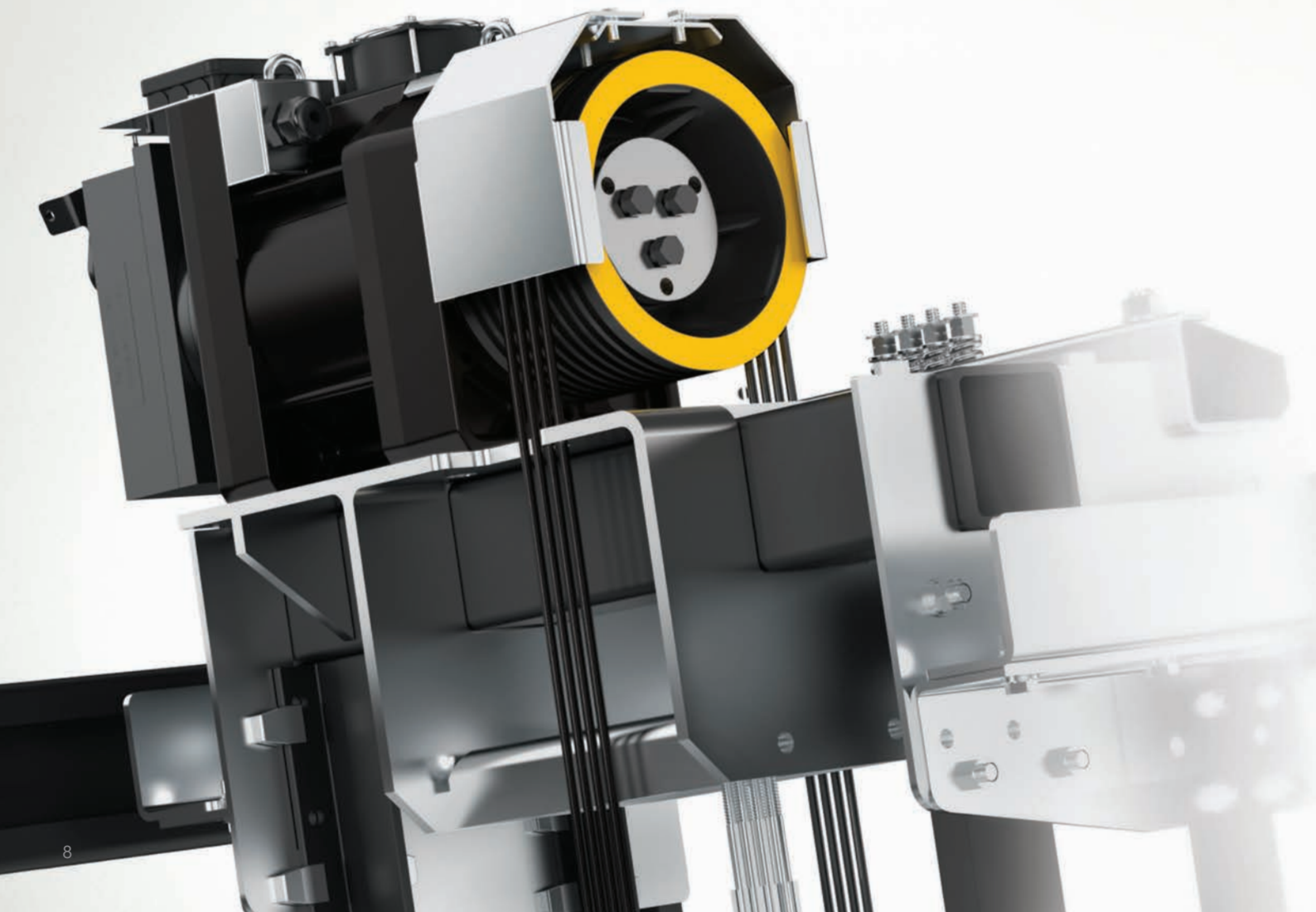
- The Sicor gearless machines consist of: synchronous internal rotor motor with permanent magnets, the traction sheave, safety brake and encoder.
- Compliance with new Lift Directive 2014/33/EU, and with EN81-20, EN81-50.
- Series designed for MRL (compact and efficient) suitable for MR.
- Machines available both in traditional version (SG series) or with central traction sheave between the motor and brake (SGS series) for systems with cantilever arches and gauges guides and reduced headroom.
- Full range up to 3.500kg in 2:1.
- Speed up to 3 m/s (others on request).
- Wide range of traction sheaves (diameter 120 ... 600 mm) made of hardened steel (hardness > 50HRC) or ductile cast iron EN-GJS-700-2-UNI EN 1563 (hardness > 250HB) easy to be removed without any special tool.
- Traction sheaves groove profile machined for optimum durability and/or according to customer specification.
- Brakes certified according to the new Lift Directive 2014/33/EU, EN81-20, EN81-50 as part of the protection system against overspeed for the car moving in upward direction and braking element against unintended car movement. Brake release levers available on request and can also be installed retrospectively.
- Wide encoder range for the correct position and speed feedback for any inverter used. Encoder always positioned within the brake to prevent any type of damage and to ensure the maximum compactness the traction unit.
- "Retrofittable" ventilation kit to provide increased performance without changing the length of the traction unit/installation.
- Wide range of motor power cables, brakes, accessories, encoder available.
- Motor cast iron case to ensure maximum strength, minimal noise and reduced vibration. Case always with fins to provide optimum heat dissipation.
- Wide metallic terminal box to ensure good grounding and easy connections.
- Side terminal box available on request for easier installation in reduced vertical height.
- Electromagnetic design optimized for maximum performance in minimum space.
- Use of only high-performance magnets (NdFeB) fixed to the rotor with the patented system to ensure the correct positioning/ maintaining the position throughout the operation/life cycle of the traction unit.
- Class F winding always equipped with thermistor for temperature monitoring during exercise. Production of fully automated winding.
- Product configurator available on request for selecting the right drive unit for the specific application.
- Several options already available.








Performance



The production range of Sicor gearless machines covers loads up to 3500 in roping 2:1, speeds of up to 4m/s (other speed on request) with traction sheaves 120 to 600mm. Since 2015, the gearless range has been implemented with central sheave machines to systems with cantilever arches and gauges guides and reduced headrooms. Numerous special versions and options are available on request.












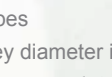


Product range with central sheave **

Model	For rated loads up to [kg]	Car speed range in 2:1 [m/s]	Traction sheaves diameter range	Max Static Load [kN-kg]
			[mm]	
SGS4 	480	0,15 ... 1,00	120(*) , 160(*), 200, 210	19,6-2000
SGS6 	800	0,15 ... 1,00	120(*) , 160(*), 200, 210	19,6-2000
SGS7 	1000	0,15 ... 1,00	120(*) , 160(*), 200, 210	19,6-2000
SGS8 	1275	0,63 ... 2,00	120(*) , 160(*), 200, 210,240	29,4-3000
SGS9 	1600	0,63 ... 2,00	120(*) , 160(*), 200, 210,240	29,4-3000

** For systems with cantilever arches, with gauges guides and reduced headrooms

Product range with sheave on drive side

Model	For rated loads up to [kg]	Car speed range in 2:1 [m/s]	Traction sheaves diameter range	Max Static Load [kN-kg]
			[mm]	
SG10 	800	0,63 ... 1,60	120(*) , 160(*), 200, 210, 240, 270, 320	22,6-2300
SG15 	1275	0,63 ... 2,00	120(*) , 160(*), 200, 210, 240, 270, 320	27,5-2800
SG22 	1600	0,63 ... 2,00	120(*) , 160(*), 200, 210, 240, 270, 320	27,5-2800
SG30 	2000	0,63 ... 2,50	120(*) , 160(*), 200, 210, 240, 270, 320, 360, 400	34,3-3500
SG38 	2000	0,63 ... 2,50	120(*) , 160(*), 200, 210, 240, 270, 320, 360, 400, 440, 480, 520	34,3-3500
SG40HF 	2000	0,63 ... 2,50	120(*), 160(*) , 200, 210, 240, 270, 320, 360, 400, 440, 480, 520	34,3-3500
SG48 	1600	0,63 ... 2,50	120(*), 160(*), 200, 210, 240 , 270, 320, 360, 400, 440, 480, 520	34,3-3500
SG53 	1600	0,63 ... 3,00	120(*), 160(*), 200, 210, 240, 270, 320 , 360, 400, 440, 480, 520	39,2-4000
SG58 	2000	0,63 ... 3,00	120(*), 160(*), 200, 210, 240, 270, 320, 360, 400, 440, 480, 520	39,2-4000
SG62 	2000	0,63 ... 2,50	320, 360, 400 , 440, 480, 520, 600	54-5500
SG70 	3000	0,63 ... 2,50	320, 360, 400, 440 , 480, 520, 600	58,9-6000
SG75 	3500	0,63 ... 2,50	320, 360, 400, 440 , 480, 520, 600	78,5-8000

* Pu-coated ropes

Highlighted pulley diameter is the one used to calculate max allowed capacity in standard condition (see calculation for each model).

Sample data; for more detailed evaluations we recommend our product configurator.

Rated load Q [kg]	Car weight P [kg]	Ø Traction sheave [mm]	Car speed [m/s]					
			0,15	0,63	1	1,6	2	2,5
320	500	120 (*)	SGS4	SGS4	SGS4			
		160 (*)	SGS4	SGS4	SGS4			
		200	SGS4	SGS6	SGS6			
		210	SGS6	SGS6	SGS6	SG10		
		240		SG10	SG10	SG10		
		320		SG15F	SG15F	SG15F	SG15F	SG15F
400	600	120 (*)	SGS4	SGS4	SGS4			
		160 (*)	SGS4	SGS6	SGS6			
		200	SGS6	SGS6	SGS7			
		210	SGS6	SGS6	SGS7	SGS8		
		240		SG10	SGS8	SGS8		
		320		SG15F	SG15F	SG22F	SG22F	SG30F
450	680	120 (*)	SGS4	SGS4	SGS4			
		160 (*)	SGS6	SGS6	SGS6			
		200	SGS6	SGS7	SG15F		SG30F	
		210	SGS7	SG10	SGS8	SGS8	SG30F	
		240		SGS8	SGS8	SGS8	SG30F	
		320		SG22F	SG22F	SG22F	SG30F	SG30F
480	700	120 (*)	SGS4	SGS4	SGS4			
		160 (*)	SGS6	SGS6	SGS6			
		200	SGS6	SG10	SG15F		SG30F	
		210	SGS7	SGS8	SGS8	SGS8	SG30F	
		240		SGS8	SGS8	SGS8	SG30F	
		320		SG22F	SG22F	SG30	SG30F	SG38F
630	900	120 (*)	SGS6	SGS6	SGS6			
		160 (*)	SGS6	SGS7	SGS7			
		200		SGS8	SGS8		SG30F	
		210		SGS8	SGS8	SGS9	SG30F	
		240		SGS9	SGS9	SG30F	SG30F	
		320		SG30F	SG30F	SG38F	SG38F	SG38F
		480		SG48	SG48	SG48F	SG48F	SG48F
520		SG48	SG48F	SG48F	SG48F	SG53		
675	930	120 (*)	SGS6	SGS6	SGS6			
		160 (*)	SGS6	SGS7	SGS8			
		200		SGS9	SGS9	SG30F	SG30F	
		210		SGS9	SGS9	SG30F	SG30F	
		240		SGS9	SGS9	SG30F	SG30F	
		320		SG30F	SG30F	SG38F	SG38F	SG38F
		480		SG48	SG48	SG48F	SG48F	SG53
		520		SG48F	SG48F	SG48F	SG53	SG53F
800	950	120 (*)		SGS6	SGS7			
		160 (*)		SGS8	SGS8	SG30F		
		200		SGS9	SGS9	SG30F		
		210		SGS9	SG30F	SG30F		
		240		SG30	SG30F	SG30F	SG38	
		320		SG38	SG38F	SG38F	SG48F	SG48F
		360		SG48	SG48F	SG48F	SG48F	SG48F
		400		SG48	SG48	SG48F	SG48F	SG53F
		440		SG48	SG48	SG48F	SG48F	SG48F
		480		SG48F	SG48F	SG53F	SG53F	SG53F
		520		SG48F	SG53	SG53F	SG53F	SG53F

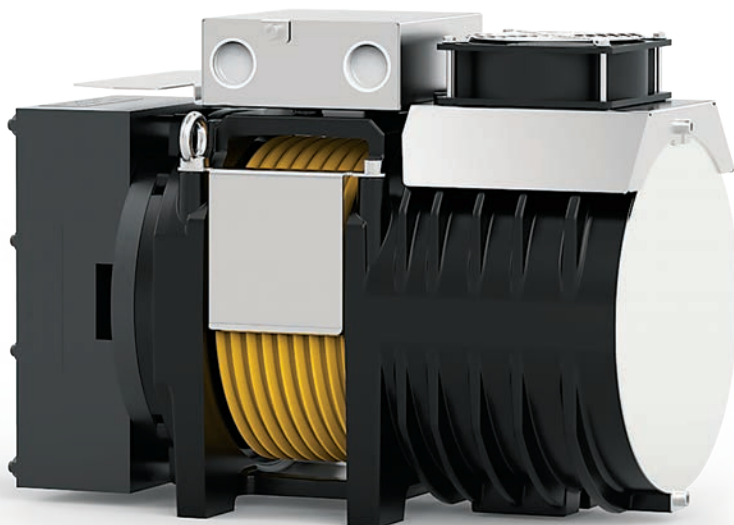
Rated load Q [kg]	Car weight P [kg]	Ø Traction sheave [mm]	Car speed [m/s]					
			0,15	0,63	1	1,6	2	2,5
1000	1200	120 (*)		SGS8	SG30F			
		160 (*)		SGS9	SGS9	SG30F		
		200		SG30F	SG30F			
		210		SG30F	SG30F			
		240		SG38	SG38	SG38F		
		320		SG40HF	SG48	SG48F	SG48F	SG48F
		360		SG48	SG48F	SG48F	SG48F	SG53F
		400		SG48HF	SG48HF	SG53F	SG53F	SG53F
		440		SG48HF	SG48HF	SG53F	SG53F	SG58F
		480		SG53F	SG53F	SG58F	SG58F	
		520		SG53F	SG58F	SG58F		
1275	1400	160 (*)		SG30	SG30	SG30F		
		200		SG48				
		240		SG40HF	SG48	SG48		
		320		SG48HF	SG48HF	SG53F	SG53F	SG53F
		360		SG48HF	SG53F	SG53F	SG53F	SG58F
		400		SG53F	SG53F	SG58F	SG58F	SG62
		440		SG53F	SG58F	SG58F	SG62F	SG62F
		480		SG62F	SG62F	SG62F	SG62F	
		520		SG62F	SG62F	SG62F	SG62F	
		600		SG62F	SG62F			
1600	1600	240		SG48HF	SG48HF			
		320		SG53F	SG53F	SG58F		
		360		SG53F	SG62F	SG62F	SG62F	
		400		SG58F	SG58F	SG62F	SG62F	
		440		SG58F	SG62F	SG62F		
		480		SG62F	SG62F			
		520		SG62F				
2000	1650	320		SG58F	SG58F	SG62F	SG70	
		360		SG62F	SG62F	SG62F	SG62F	
		400		SG62F	SG62F	SG70	SG70	
		440		SG70F	SG70F	SG70	SG70F	SG70F
		480		SG70F	SG70F	SG70F	SG70F	
		520		SG70F	SG70F	SG70F	SG70F	
		600		SG70F	SG70F			
2500	2000	360		SG70F	SG70F	SG70		
		400		SG70F	SG70F	SG75F	SG75	
		440		SG70F	SG70F	SG75F	SG75F	
		480		SG70F	SG70F	SG75F	SG75F	
		520		SG70F	SG75F	SG75F	SG75F	SG75F
		600		SG75F	SG75F			
3000	2500	360		SG70F	SG70F			
		400		SG70F	SG75F	SG75F		
		440		SG70F	SG75F			
		480		SG75F	SG75F			
		520		SG75F				
3500	3000	400		SG75F				
		440		SG75F	SG75F			

* Pu-coated ropes

Sample data; for more detailed evaluations we recommend our product configurator.

- Reference of Harmonized Standards EN81-20 and EN81-50
- Machine position: Top
- Compartment efficiency: 0,9
- Nr of deflection pulleys on ball bearings: 2 for rated load ≤1000 kg, 3 for rated load >1000 kg
- Counterweight balancing: 50%
- Travel height: 30 m
- Duty cycle: S3 40%
- Starts/hour: 180

Rated Torque **90 Nm (S3 40%)**
 Braking Torque **2x180 Nm**
 Power Range (min - max) **0,6 - 2,9 kW**
 Maximum Static Load **19,6 kN - 2000 kg**
 Maximum Weight **95 kg**
 Motor Rated Voltage **360 V - 208 V**



SAMPLE CONFIGURATION TABLE **

Model	Ø Traction sheave	Car speed	Q Rated load	P Car weight	rpm	P ***	I ***	Installation frequency	Ropes Nr x diameter Ø
	[mm]	[m/s]	[kg]	[kg]	[min ⁻¹]	[kW]	[A]	[Hz]	[mm]
SGS4135B	120	0,15	480	700	62	0,45	3,8	11	3 x Ø 6,5 (*)
SGS4135B	120	0,63	480	700	240	1,90	6,3	46,5	3 x Ø 6,5 (*)
SGS4135B	120	1,00	480	700	320	2,90	8,3	74,5	3 x Ø 6,5 (*)
SGS4135B	160	0,15	400	600	62	0,37	4,3	8,3	3 x Ø 6,5 (*)
SGS4135B	160	0,63	320	500	240	1,32	5,8	35,1	3 x Ø 6,5 (*)
SGS4135B	160	1,00	320	500	240	2,10	5,8	55,5	3 x Ø 6,5 (*)
SGS4135B	200	0,15	320	500	62	0,33	4,7	6,5	3 x Ø 6,5

General data

Harmonized standards of reference	EN 81-20 e EN 81-50
Roping	2:1 - Conventional Single Wrap
Machine position	Top
Compartment efficiency	0,9
Nr of deflection pulleys on ball bearings	2 for rated load ≤ 1000 kg 3 for rated load > 1000 kg
Counterweight balancing	50%
Travel height	30 m
Duty cycle	S3 40%
Starts/hour	180
Wrap angle	180°
Acceleration	0,1m/s ² for car speed ≤ 0,15 m/s 0,3+0,5m/s ² for car speed ≤ 1 m/s 0,5+0,7m/s ² for car speed > 1 m/s

Refer to the product configurator for the value of the short circuit torque, the relative speed and the minimum voltage that allows the operation of gearless machine.

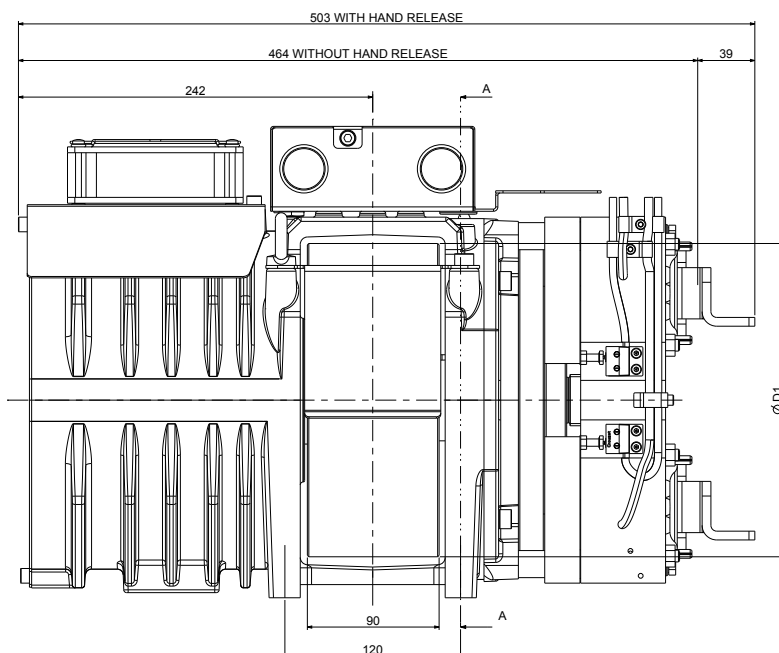
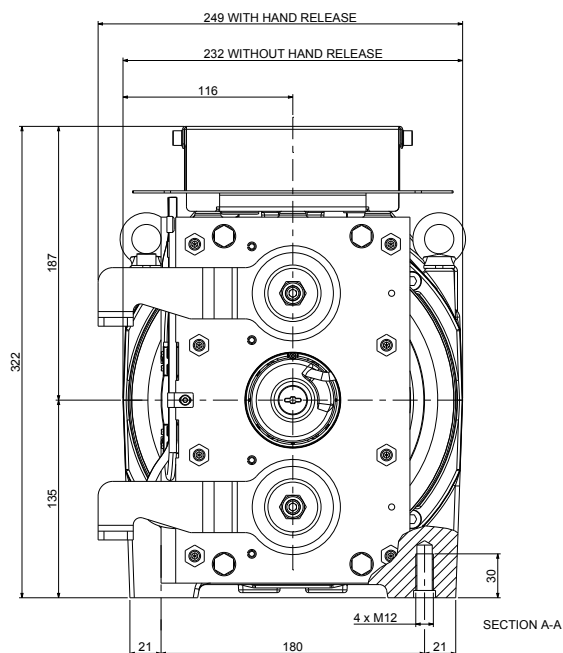
* Pu-coated ropes

** Sample data; for more detailed evaluations we recommend our product configurator.

*** Values referred to configuration table (360V)

SGS4 - DIMENSIONS

Mod. SGS4135B



Ø D1	Max Weight	Inertia	Roping System	Torque S3 40%	Max Static Load	Max Power **
[mm]	[kg]	[kgm]		[Nm]	[kg]	[kW]
120	95	0,05	CSW *	90	19,6 - 2000	2,9
160		0,06				
200		0,10				
210		0,13				

Brake Specifications

Braking Torque: 2x180 [Nm]
Standard Supply Voltage: 207 [V DC]
Power: 2x68 [W]
Degree of Protection: IP10

Standard Encoder Data

Type: Absolute EnDat
Model: Heidenhain ECN 1313
Positions values/rev: 2048 imp 13 bits
Degree of Protection: IP40
Standard Cable Length: 10 [m]

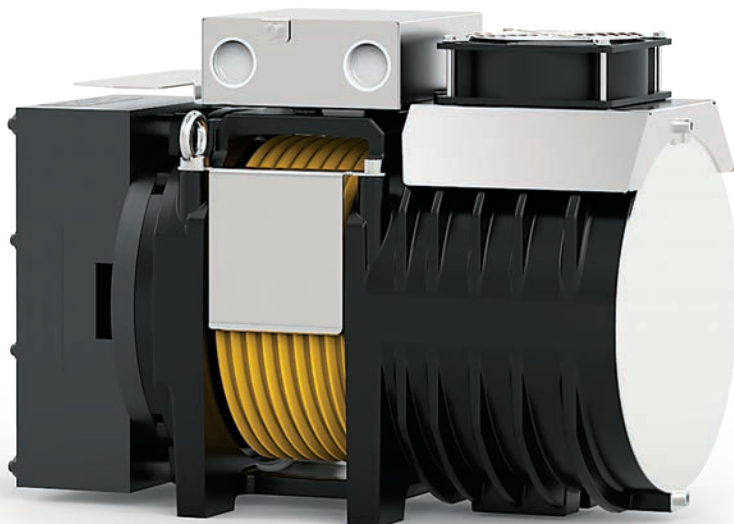
Ventilation data

Voltage: 230 [V]
Power: 1x16 [W]

* CSW: Conventional single wrap.

** Sample data; for more detailed evaluations we recommend our product configurator.

Rated Torque **145 Nm (S3 40%)**
 Braking Torque **2x180 Nm**
 Power Range (min - max) **0,9 - 4,8 kW**
 Maximum Static Load **19,6 kN - 2000 kg**
 Maximum Weight **100 kg**
 Motor Rated Voltage **360 V - 208 V**



SAMPLE CONFIGURATION TABLE **

Model	Ø Traction sheave [mm]	Car speed [m/s]	Q Rated load [kg]	P Car weight [kg]	rpm [min ⁻¹]	P *** [kW]	I *** [A]	Installation frequency [Hz]	Ropes Nr x diameter Ø [mm]
SGS6135B	120	0,15	800	950	62	0,73	3,8	11,0	4 x Ø 6,5 (*)
SGS6135B	120	0,63	800	950	240	3,12	10,9	46,5	4 x Ø 6,5 (*)
SGS6135B	120	1,00	675	930	320	4,24	12	74,2	4 x Ø 6,5 (*)
SGS6135B	160	0,15	675	930	62	0,61	4,4	8,4	4 x Ø 6,5 (*)
SGS6135B	160	0,63	480	700	240	1,91	8,8	35,1	3 x Ø 6,5 (*)
SGS6135B	160	1,00	480	700	240	3,10	9,1	55,9	4 x Ø 6,5 (*)
SGS6135B	200	0,15	480	700	62	0,51	4,4	6,7	5 x Ø 6,5
SGS6135B	200	0,63	400	600	120	1,86	6,0	27,9	5 x Ø 6,5
SGS6135B	200	1,00	320	500	240	2,48	9	44,6	6 x Ø 6,5
SGS6135B	210	0,15	400	550	62	0,42	3,8	6,3	4 x Ø 6,5
SGS6135B	210	0,63	400	600	124	1,84	6,3	26,6	5 x Ø 6,5
SGS6135B	210	1,00	320	500	240	2,48	9,5	42,5	5 x Ø 6,5

General data

Harmonized standards of reference	EN 81-20 e EN 81-50
Roping	2:1 - Conventional Single Wrap
Machine position	Top
Compartment efficiency	0,9
Nr of deflection pulleys on ball bearings	2 for rated load ≤ 1000 kg 3 for rated load > 1000 kg
Counterweight balancing	50%
Travel height	30 m
Duty cycle	S3 40%
Starts/hour	180
Wrap angle	180°
Acceleration	0,1m/s ² for car speed ≤ 0,15 m/s 0,3+0,5m/s ² for car speed ≤ 1 m/s 0,5+0,7m/s ² for car speed > 1 m/s

Refer to the product configurator for the value of the short circuit torque, the relative speed and the minimum voltage that allows the operation of gearless machine.

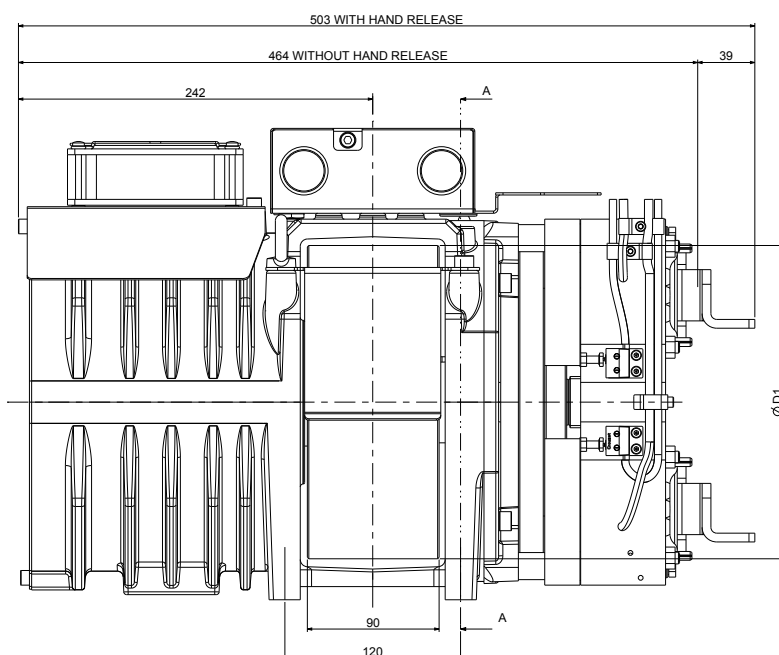
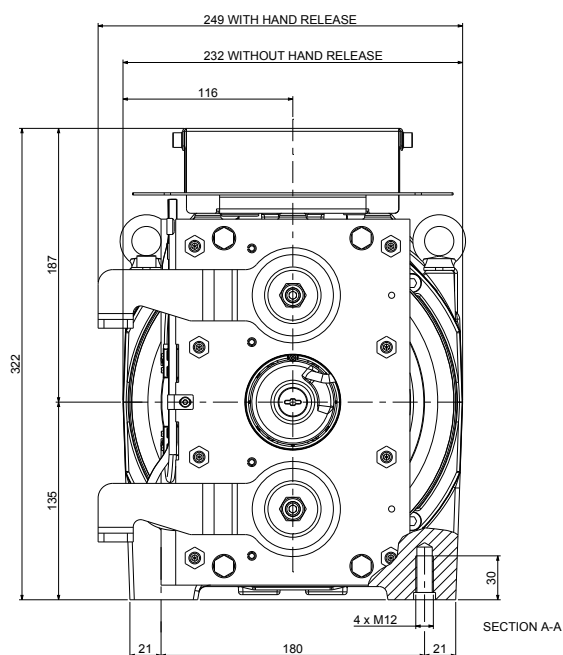
* Pu-coated ropes

** Sample data; for more detailed evaluations we recommend our product configurator.

*** Values referred to configuration table (360V)

SGS6 - DIMENSIONS

Mod. SGS6135B



Ø D1	Max Weight	Inertia	Roping System	Torque S3 40%	Max Static Load	Max Power **
[mm]	[kg]	[kgm]		[Nm]	[kg]	[kW]
120	100	0,07	CSW *	145	19,6 - 2000	4,8
160		0,08				
200		0,12				
210		0,15				

Brake Specifications

Braking Torque: 2x180 [Nm]
Standard Supply Voltage: 207 [V DC]
Power: 2x68 [W]
Degree of Protection: IP10

Standard Encoder Data

Type: Absolute EnDat
Model: Heidenhain ECN 1313
Positions values/rev: 2048 imp 13 bits
Degree of Protection: IP40
Standard Cable Length: 10 [m]

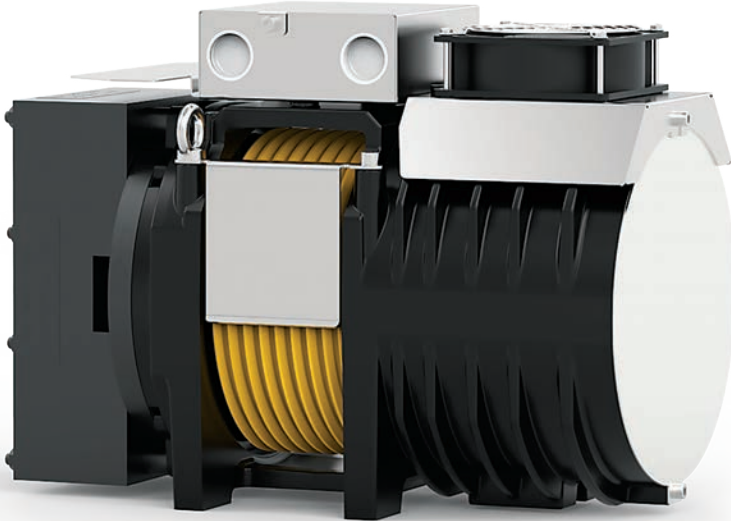
Ventilation data

Voltage: 230 [V]
Power: 1x16 [W]

* CSW: Conventional single wrap.

** Sample data; for more detailed evaluations we recommend our product configurator.

Rated Torque **160 Nm (S3 40%)**
 Braking Torque **2x180 Nm**
 Power Range (min - max) **1 - 5,4 kW**
 Maximum Static Load **19,6 kN - 2000 kg**
 Maximum Weight **104 kg**
 Motor Rated Voltage **360 V - 208 V**



SAMPLE CONFIGURATION TABLE **

Model	Ø Traction sheave	Car speed	Q Rated load	P Car weight	rpm	P ***	I ***	Installation frequency	Ropes Nr x diameter Ø
	[mm]	[m/s]	[kg]	[kg]	[min ⁻¹]	[kW]	[A]	[Hz]	[mm]
SGS7135B	120	0,15	1000	1200	62	0,92	4,8	11	4 x Ø 6,5 (*)
SGS7135B	120	0,63	800	950	240	3,11	11,0	46,5	4 x Ø 6,5 (*)
SGS7135B	120	1,00	800	950	320	5,04	14,3	74,5	3 x Ø 6 (*)
SGS7135B	160	0,15	675	930	62	0,64	4,4	8,4	4 x Ø 6,5 (*)
SGS7135B	160	0,63	675	930	240	2,67	12,6	35,1	4 x Ø 6,5 (*)
SGS7135B	160	1,00	630	900	240	3,97	11,8	55,5	4 x Ø 6,5 (*)
SGS7135B	200	0,15	480	700	62	0,51	4,4	6,7	5 x Ø 6,5
SGS7135B	200	0,63	450	680	124	2,10	6,9	27,9	6 x Ø 6,5
SGS7135B	200	1,00	400	600	240	3,07	11,3	44,6	6 x Ø 6,5
SGS7135B	210	0,15	480	700	62	0,50	4,6	6,2	5 x Ø 6,5
SGS7135B	210	0,63	400	550	124	1,84	6,3	26,6	5 x Ø 6,5
SGS7135B	210	1,00	400	600	240	3,07	11,9	42,6	5 x Ø 6,5

General data

Harmonized standards of reference	EN 81-20 e EN 81-50
Roping	2:1 - Conventional Single Wrap
Machine position	Top
Compartment efficiency	0,9
Nr of deflection pulleys on ball bearings	2 for rated load ≤ 1000 kg 3 for rated load > 1000 kg
Counterweight balancing	50%
Travel height	30 m
Duty cycle	S3 40%
Starts/hour	180
Wrap angle	180°
Acceleration	0,1m/s ² for car speed ≤ 0,15 m/s 0,3+0,5m/s ² for car speed ≤ 1 m/s 0,5+0,7m/s ² for car speed > 1 m/s

Refer to the product configurator for the value of the short circuit torque, the relative speed and the minimum voltage that allows the operation of gearless machine.

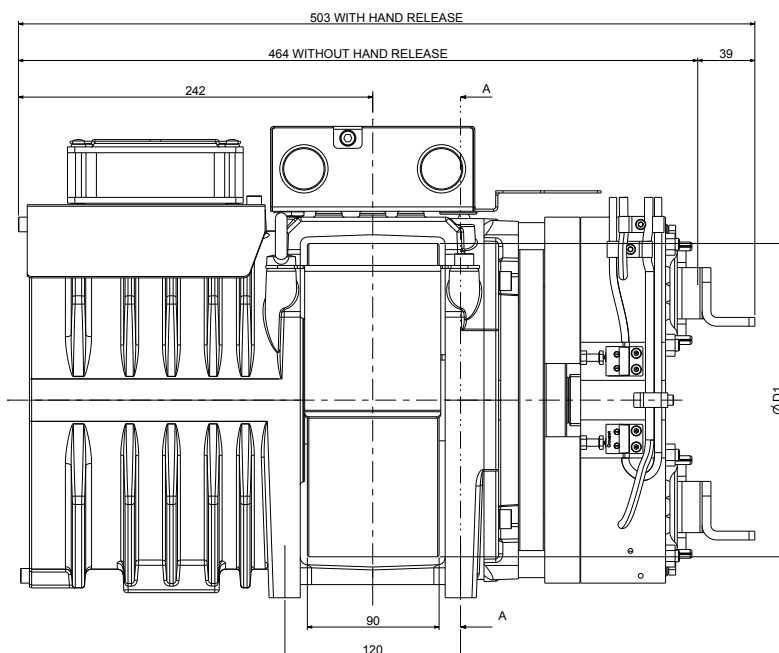
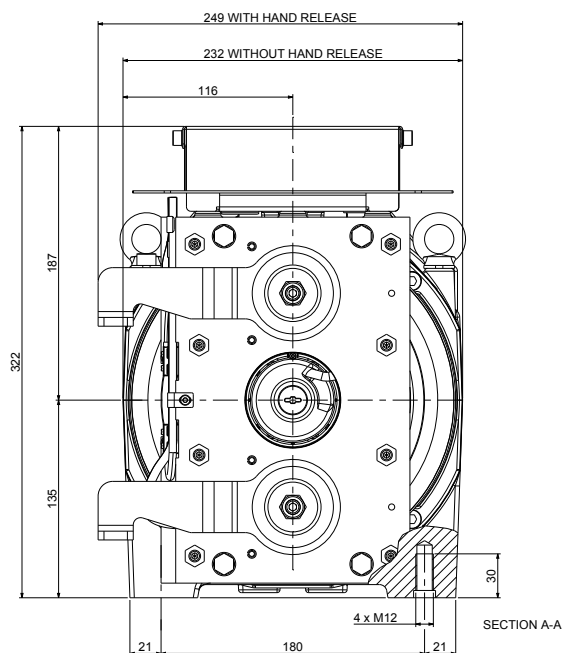
* Pu-coated ropes

** Sample data; for more detailed evaluations we recommend our product configurator.

*** Values referred to configuration table (360V)

SGS7 - DIMENSIONS

Mod. SGS7135B



Ø D1	Max Weight	Inertia	Roping System	Torque S3 40%	Max Static Load	Max Power **
[mm]	[kg]	[kgm]		[Nm]	[kg]	[kW]
120	104	0,07	CSW *	160	19,6 - 2000	5,4
160		0,08				
200		0,12				
210		0,15				

Brake Specifications

Braking Torque: 2x180 [Nm]
Standard Supply Voltage: 207 [V DC]
Power: 2x68 [W]
Degree of Protection: IP10

Standard Encoder Data

Type: Absolute EnDat
Model: Heidenhain ECN 1313
Positions values/rev: 2048 imp 13 bits
Degree of Protection: IP40
Standard Cable Length: 10 [m]

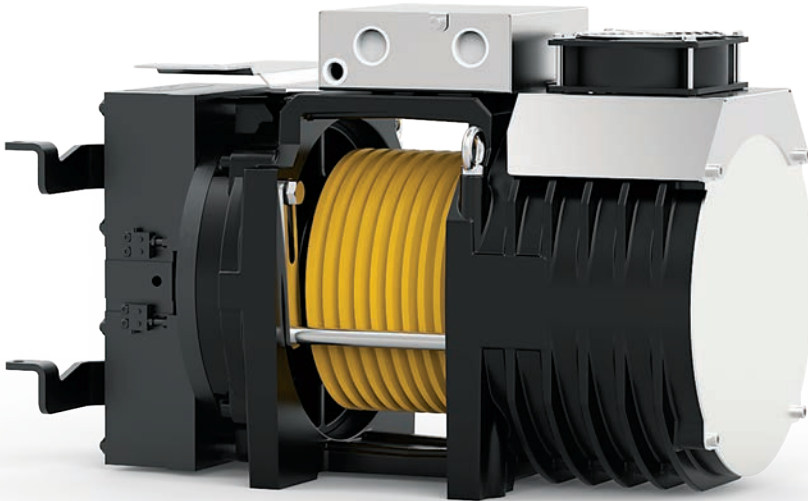
Ventilation data

Voltage: 230 [V]
Power: 1x16 [W]

* CSW: Conventional single wrap.

** Sample data; for more detailed evaluations we recommend our product configurator.

Rated Torque **245 Nm (S3 40%)**
 Braking Torque **2x280 Nm**
 Power Range (min - max) **2,5 - 7,4 kW**
 Maximum Static Load **29,4 kN - 3000 kg**
 Maximum Weight **138 kg**
 Motor Rated Voltage **360 V - 208 V**



SAMPLE CONFIGURATION TABLE **

Model	Ø Traction sheave	Car speed	Q Rated load	P Car weight	rpm	P ***	I ***	Installation frequency	Ropes Nr x diameter Ø
	[mm]	[m/s]	[kg]	[kg]	[min ⁻¹]	[kW]	[A]	[Hz]	[mm]
SGS8150B	120	0,63	1275	1400	199	4,93	12,5	33,2	6 x Ø 6,5 (*)
SGS8150B	160	0,63	800	950	199	3,12	10,5	25,0	4 x Ø 6,5 (*)
SGS8150B	160	1,00	800	950	254	4,94	12,9	39,6	4 x Ø 6,5 (*)
SGS8150B	200	0,63	630	900	120	2,87	7,9	20,0	7 x Ø 6,5
SGS8150B	200	1,00	630	900	199	4,50	12,0	31,7	7 x Ø 6,5
SGS8150B	210	0,63	630	900	120	2,75	8,1	19,1	7 x Ø 6,5
SGS8150B	210	1,00	630	900	199	4,41	12,21	30,2	7 x Ø 6,5
SGS8150B	210	1,60	480	700	291	5,64	13,5	48,5	6 x Ø 6,5
SGS8150B	240	0,63	480	700	120	2,13	7,2	16,6	5 x Ø 6,5
SGS8150B	240	1,00	480	700	199	3,54	11,2	26,6	6 x Ø 6,5
SGS8150B	240	1,60	480	700	291	5,67	13,7	42,4	6 x Ø 6,5

General data

Harmonized standards of reference	EN 81-20 e EN 81-50
Roping	2:1 - Conventional Single Wrap
Machine position	Top
Compartment efficiency	0,9
Nr of deflection pulleys on ball bearings	2 for rated load ≤ 1000 kg 3 for rated load > 1000 kg
Counterweight balancing	50%
Travel height	30 m
Duty cycle	S3 40%
Starts/hour	180
Wrap angle	180°
Acceleration	0,1m/s ² for car speed ≤ 0,15 m/s 0,3+0,5m/s ² for car speed ≤ 1 m/s 0,5+0,7m/s ² for car speed > 1 m/s

Refer to the product configurator for the value of the short circuit torque, the relative speed and the minimum voltage that allows the operation of gearless machine.

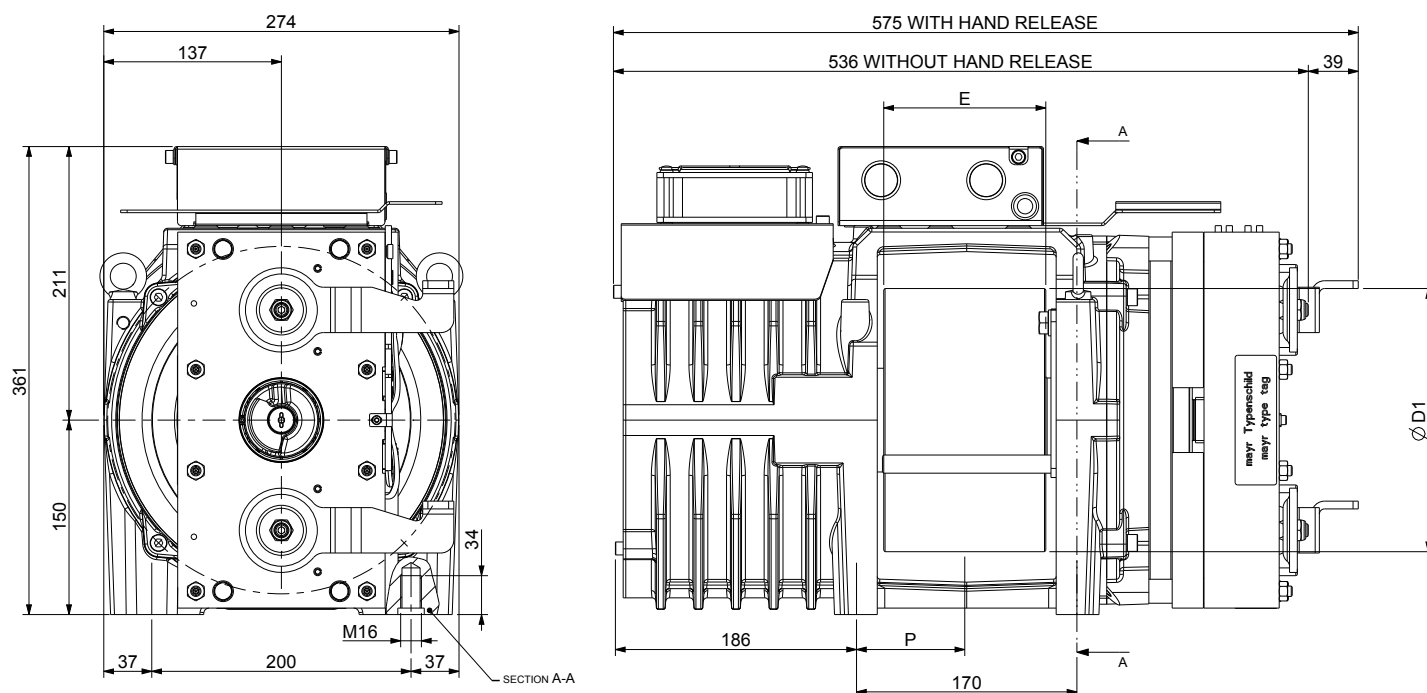
* Pu-coated ropes

** Sample data; for more detailed evaluations we recommend our product configurator.

*** Values referred to configuration table (360V)

SGS8 - DIMENSIONS

Mod. SGS8150B



Ø D1	E	P	Max Weight	Inertia	Roping System	Torque S3 40%	Max Static Load	Max Power **
[mm]	[mm]	[mm]	[kg]	[kgm ²]		[Nm]	[kN - kg]	[kW]
120	90	66	138	0,10	CSW *	245	29,4 - 3000	7,4
160	125	85		0,15				
200				0,20				
210				0,26				
240				0,34				

Brake Specifications

Braking Torque: 2x280 [Nm]
Standard Supply Voltage: 207 [V DC]
Power: 2x79 [W]
Degree of Protection: IP10

Standard Encoder Data

Type: Absolute EnDat
Model: Heidenhain ECN 1313
Positions values/rev: 2048 imp 13 bits
Degree of Protection: IP40
Standard Cable Length: 10 [m]

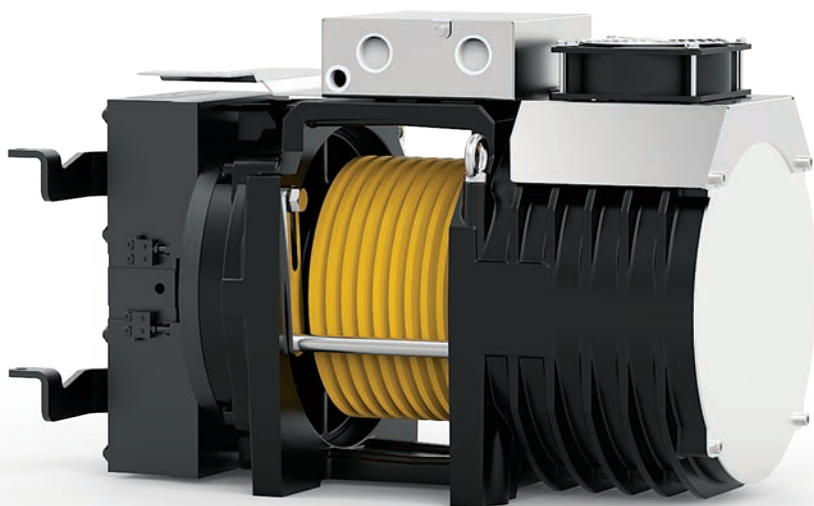
Ventilation data

Voltage: 230 [V]
Power: 1x16 [W]

* CSW: Conventional single wrap.

** Sample data; for more detailed evaluations we recommend our product configurator.

Rated Torque **290 Nm (S3 40%)**
 Braking Torque **2x280 Nm**
 Power Range (min - max) **3,1 - 8,8 kW**
 Maximum Static Load **29,4 kN - 3000 kg**
 Maximum Weight **142 kg**
 Motor Rated Voltage **360 V - 208 V**



SAMPLE CONFIGURATION TABLE **

Model	Ø Traction sheave	Car speed	Q Rated load	P Car weight	rpm	P ***	I ***	Installation frequency	Ropes Nr x diameter Ø
	[mm]	[m/s]	[kg]	[kg]	[min ⁻¹]	[kW]	[A]	[Hz]	[mm]
SGS9150B	120	0,63	1600	1600	199	6,25	15,39	33,4	7 x Ø 6,5 (*)
SGS9150B	160	0,63	1000	1200	199	3,90	12,9	25	5 x Ø 6,5 (*)
SGS9150B	160	1,00	1000	1200	254	6,22	15,1	39,6	5 x Ø 6,5 (*)
SGS9150B	200	0,63	800	950	120	3,61	9,7	20	9 x Ø 6,5
SGS9150B	200	1,00	800	950	199	5,85	15,3	31,7	10 x Ø 6,5
SGS9150B	210	0,63	800	950	120	3,55	9,91	19	8 x Ø 6,5
SGS9150B	210	1,00	675	930	199	5,01	13,7	30,2	9 x Ø 6,5
SGS9150B	210	1,60	630	930	291	7,83	18,7	48,5	10 x Ø 6,5
SGS9150B	240	0,63	675	930	120	2,99	9,6	16,6	7 x Ø 6,5
SGS9150B	240	1,00	675	930	199	4,88	15,3	26,4	8 x Ø 6,5
SGS9150B	240	1,60	480	700	254	5,83	13,4	42,4	7 x Ø 6,5

General data

Harmonized standards of reference	EN 81-20 e EN 81-50
Roping	2:1 - Conventional Single Wrap
Machine position	Top
Compartment efficiency	0,9
Nr of deflection pulleys on ball bearings	2 for rated load ≤ 1000 kg 3 for rated load > 1000 kg
Counterweight balancing	50%
Travel height	30 m
Duty cycle	S3 40%
Starts/hour	180
Wrap angle	180°
Acceleration	0,3+0,5m/s ² for car speed ≤ 1 m/s 0,5+0,7m/s ² for car speed > 1 m/s

Refer to the product configurator for the value of the short circuit torque, the relative speed and the minimum voltage that allows the operation of gearless machine.

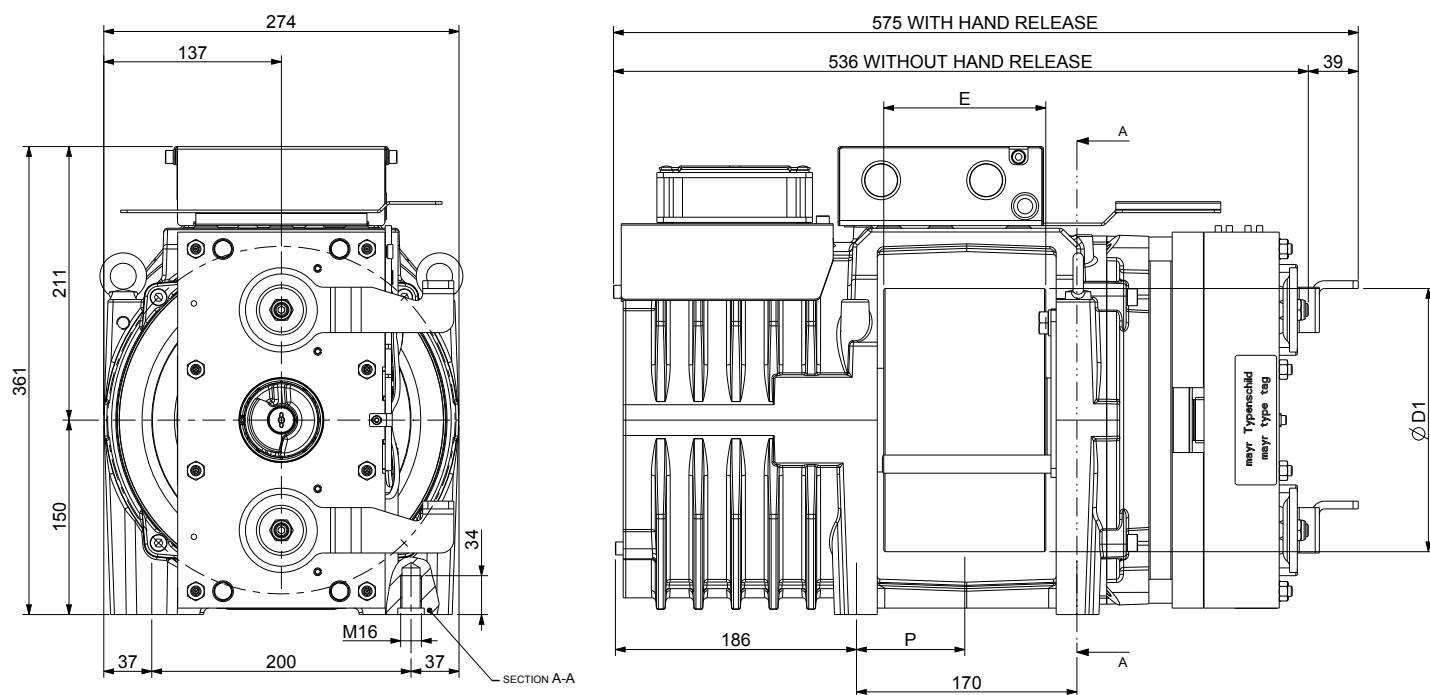
* Pu-coated ropes

** Sample data; for more detailed evaluations we recommend our product configurator.

*** Values referred to configuration table (360V)

SGS9 - DIMENSIONS

Mod. SGS9150B



Ø D1	E	P	Max Weight	Inertia	Roping System	Torque S3 40%	Max Static Load	Max Power **
[mm]	[mm]	[mm]	[kg]	[kgm ²]		[Nm]	[kN - kg]	[kW]
120	90	66	142	0,11	CSW *	290	29,4 - 3000	8,8
160	125	85		0,16				
200				0,21				
210				0,27				
240				0,35				

Brake Specifications

Braking Torque: 2x280 [Nm]
Standard Supply Voltage: 207 [V DC]
Power: 2x79 [W]
Degree of Protection: IP10

Standard Encoder Data

Type: Absolute EnDat
Model: Heidenhain ECN 1313
Positions values/rev: 2048 imp 13 bits
Degree of Protection: IP40
Standard Cable Length: 10 [m]

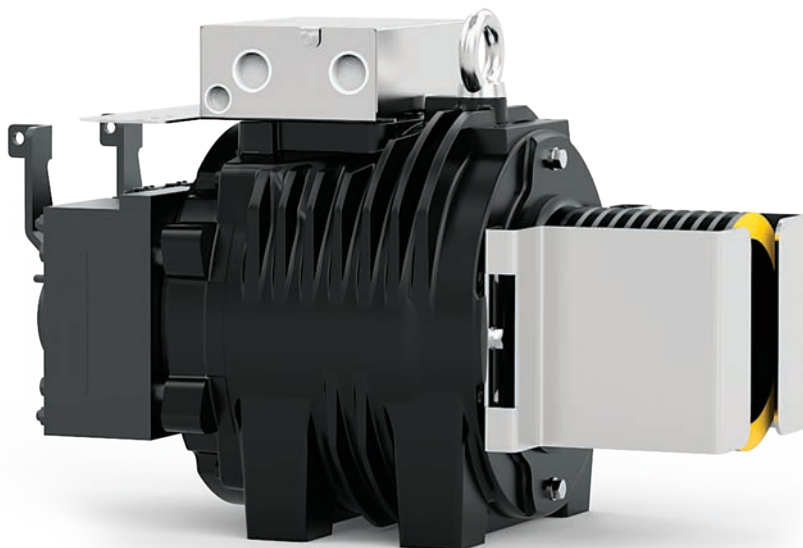
Ventilation data

Voltage: 230 [V]
Power: 1x16 [W]

* CSW: Conventional single wrap.

** Sample data; for more detailed evaluations we recommend our product configurator.

Rated Torque **165 Nm (S3 40%)**
 Braking Torque **2x180 Nm**
 Power Range (min - max) **2,1 - 5 kW**
 Maximum Static Load **22,6 kN - 2300 kg**
 Maximum Weight **142 kg**
 Motor Rated Voltage **360 V - 208 V**



SAMPLE CONFIGURATION TABLE **

Model	Ø Traction sheave	Car speed	Q Rated load	P Car weight	rpm	P ***	I ***	Installation frequency	Ropes Nr x diameter Ø
	[mm]	[m/s]	[kg]	[kg]	[min ⁻¹]	[kW]	[A]	[Hz]	[mm]
SG10145B	120	0,63	800	950	199	3,13	8,1	33,3	4 x Ø 6,5 (*)
SG10145B	160	0,63	675	930	199	2,65	9,2	24,9	4 x Ø 6,5 (*)
SG10145B	160	1,00	630	900	254	3,96	10,1	39,6	4 x Ø 6,5 (*)
SG10145B	200	0,63	480	700	120	2,22	6,3	20	6 x Ø 6,5
SG10145B	200	1,00	400	550	199	3,05	8,3	31,7	6 x Ø 6,5
SG10145B	210	0,63	450	680	120	2,11	6,3	19,1	6 x Ø 6,5
SG10145B	210	1,00	400	600	199	3,17	9,1	30,2	7 x Ø 6,5
SG10145B	210	1,60	320	500	291	4,16	10,5	48,5	6 x Ø 6,5
SG10145B	240	0,63	400	600	120	1,84	6,3	16,6	5 x Ø 6,5
SG10145B	240	1,00	320	500	199	2,36	7,7	26,6	4 x Ø 6,5
SG10145B	240	1,60	320	500	254	3,96	9,5	42,4	5 x Ø 6,5

General data

Harmonized standards of reference	EN 81-20 e EN 81-50
Roping	2:1 - Conventional Single Wrap
Machine position	Top
Compartment efficiency	0,9
Nr of deflection pulleys on ball bearings	2 for rated load ≤ 1000 kg 3 for rated load > 1000 kg
Counterweight balancing	50%
Travel height	30 m
Duty cycle	S3 40%
Starts/hour	180
Wrap angle	180°
Acceleration	0,3+0,5m/s ² for car speed ≤ 1 m/s 0,5+0,7m/s ² for car speed > 1 m/s

Refer to the product configurator for the value of the short circuit torque, the relative speed and the minimum voltage that allows the operation of gearless machine.

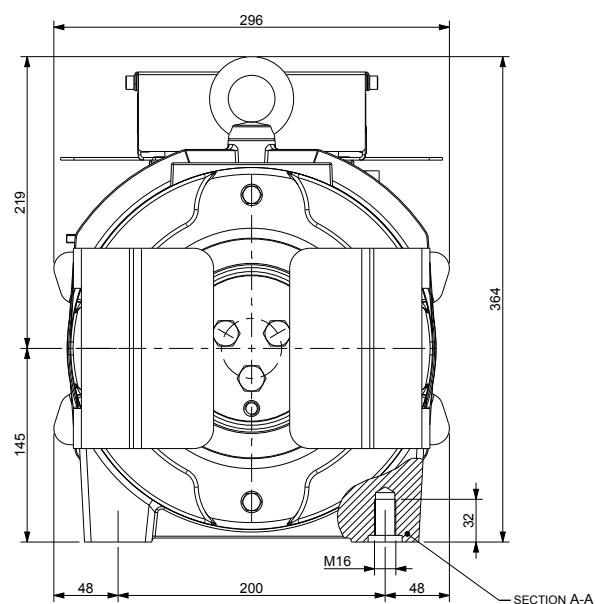
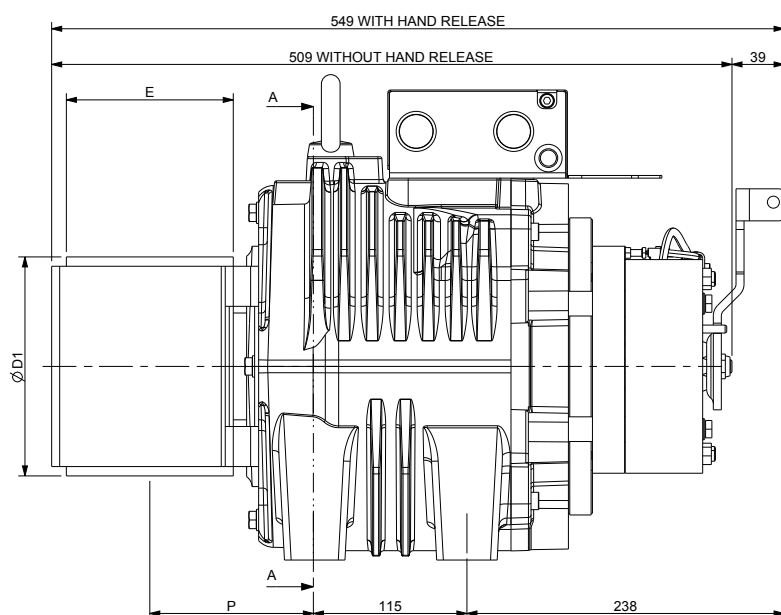
* Pu-coated ropes

** Sample data; for more detailed evaluations we recommend our product configurator.

*** Values referred to configuration table (360V)

SG10 - DIMENSIONS

Mod. SG10145B



Ø D1	E	P	Max Weight	Inertia	Roping System	Torque S3 40%	Max Static Load	Max Power **
[mm]	[mm]	[mm]	[kg]	[kgm ²]		[Nm]	[kN - kg]	[kW]
120	125	123	142	0,09	CSW *	165	22,6 - 2300	5
160				0,13				
200				0,21				
210				0,24				
240				0,36				
270				0,47				
320	118	0,54						

Brake Specifications

Braking Torque: 2x180 [Nm]
Standard Supply Voltage: 207 [V DC]
Power: 2x68 [W]
Degree of Protection: IP10

Standard Encoder Data

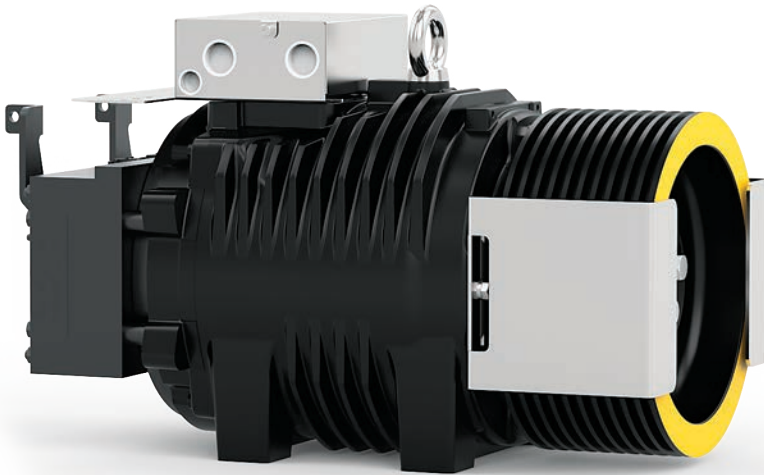
Type: Absolute EnDat
Model: Heidenhain ECN 1313
Positions values/rev: 2048 imp 13 bits
Degree of Protection: IP40
Standard Cable Length: 10 [m]

* CSW: Conventional single wrap.

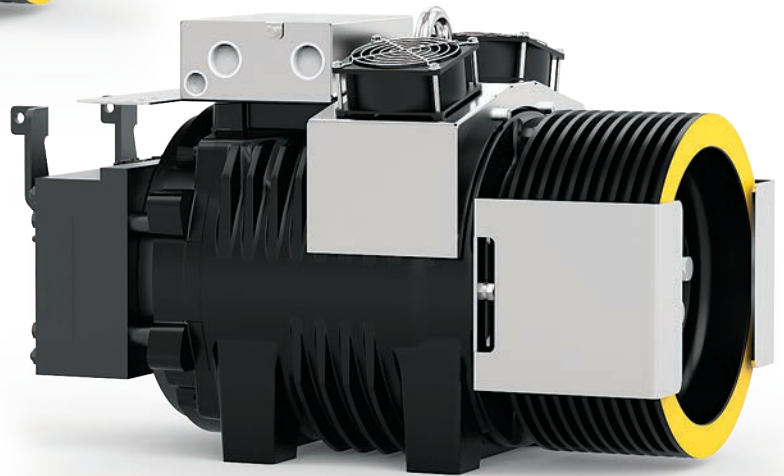
** Sample data; for more detailed evaluations we recommend our product configurator.

GEARLESS SG15 - SG15F

Rated Torque **245 Nm SG15F (S3 40%)**
 Braking Torque **2x280 Nm**
 Power Range (min - max) **2,5 - 7,4 kW**
 Maximum Static Load **27,5 kN - 2800 kg**
 Maximum Weight **155 kg**
 Motor Rated Voltage **360 V - 208 V**



SG15 Gearless without fan kit



SG15F Gearless with fan kit

SAMPLE CONFIGURATION TABLE **

Model	Ø Traction sheave	Car speed	Q Rated load	P Car weight	rpm	P ***	I ***	Installation frequency	Ropes Nr x diameter Ø
	[mm]	[m/s]	[kg]	[kg]	[min-1]	[kW]	[A]	[Hz]	[mm]
SG15145BF	120	0,63	1275	1400	199	4,93	12,5	33,2	6 x Ø 6,5 (*)
SG15145B	160	0,63	800	950	199	3,12	10,5	25,0	4 x Ø 6,5 (*)
SG15145BF	160	1,00	800	950	254	4,94	12,9	39,6	4 x Ø 6,5 (*)
SG15145BF	200	0,63	630	900	120	2,87	7,9	20,0	7 x Ø 6,5
SG15145BF	200	1,00	630	900	199	4,50	12,0	31,7	7 x Ø 6,5
SG15145BF	210	0,63	630	900	120	2,75	8,1	19,1	7 x Ø 6,5
SG15145B	210	1,00	630	900	199	4,41	12,21	30,2	7 x Ø 6,5
SG15145BF	210	1,60	480	700	291	5,64	13,5	48,5	6 x Ø 6,5
SG15145B	240	0,63	480	700	120	2,13	7,2	16,6	5 x Ø 6,5
SG15145BF	240	1,00	480	700	199	3,54	11,2	26,6	6 x Ø 6,5
SG15145BF	240	1,60	480	700	291	5,67	13,7	42,4	6 x Ø 6,5
SG15145BF	320	0,63	400	550	120	1,81	8,1	12,5	3 x Ø 8
SG15145BF	320	1,00	400	550	120	2,87	8,1	19,8	3 x Ø 8
SG15145BF	320	1,60	320	500	199	3,87	10,3	31,8	3 x Ø 8
SG15145BF	320	2,00	320	500	254	4,83	12,6	39,7	3 x Ø 8

General data

Harmonized standards of reference	EN 81-20 e EN 81-50
Roping	2:1 - Conventional Single Wrap
Machine position	Top
Compartment efficiency	0,9
Nr of defecti on pulleys on ball bearing	2 for rated load ≤ 1000 kg - 3 for rated load > 1000 kg
Counterweight balancing	50%
Travel height	30 m
Duty cycle	S3 40%
Starts/hour	180
Wrap angle	180°
Acceleration	0,3±0,5m/s ² for car speed ≤ 1 m/s - 0,5±0,7m/s ² for car speed > 1 m/s

Refer to the product configurator for the value of the short circuit torque, the relative speed and the minimum voltage that allows the operation of gearless machine.

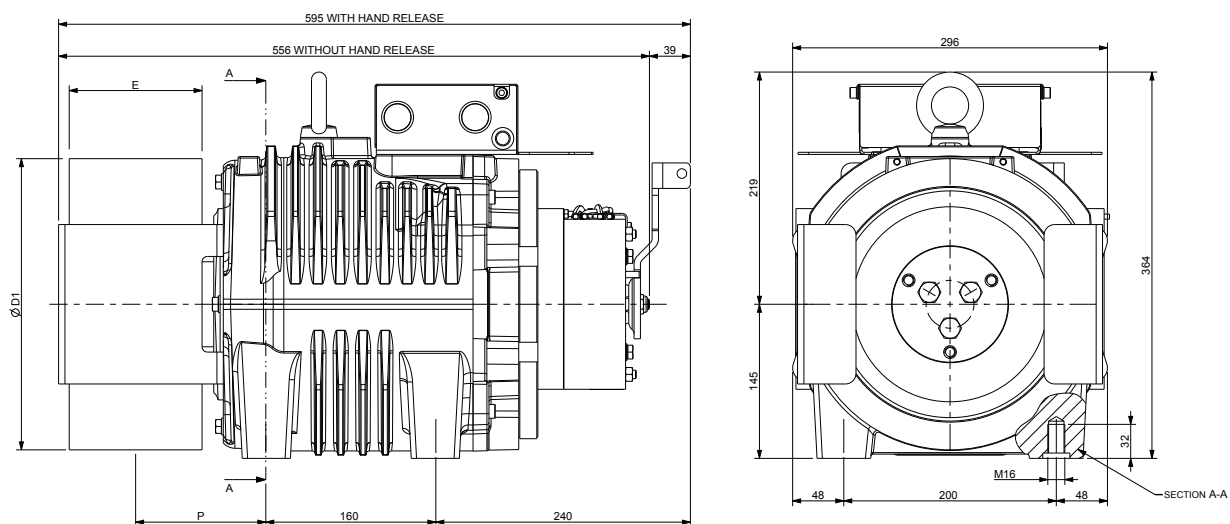
* Pu-coated ropes

** Sample data; for more detailed evaluations we recommend our product configurator.

*** Values referred to configuration table (360V)

SG15 - DIMENSIONS

Mod. SG15145B



Ø D1	E	P	Max Weight	Inertia	Roping System	Torque S3 40%	Max Static Load	Max Power **
[mm]	[mm]	[mm]	[kg]	[kgm ²]		[Nm]	[kN - kg]	[kW]
120	125	122	152	0,10	CSW *	200	27,5 - 2800	6,2
160				0,14				
200				0,22				
210				0,25				
240				0,37				
270				0,48				
320	117	0,55						

Brake Specifications

Braking Torque: 2x280 [Nm]

Standard Supply Voltage: 207 [V DC]

Power: 2x79 [W]

Degree of Protection: IP10

Standard Encoder Data

Type: Absolute EnDat

Model: Heidenhain ECN 1313

Positions values/rev: 2048 imp 13 bits

Degree of Protection: IP40

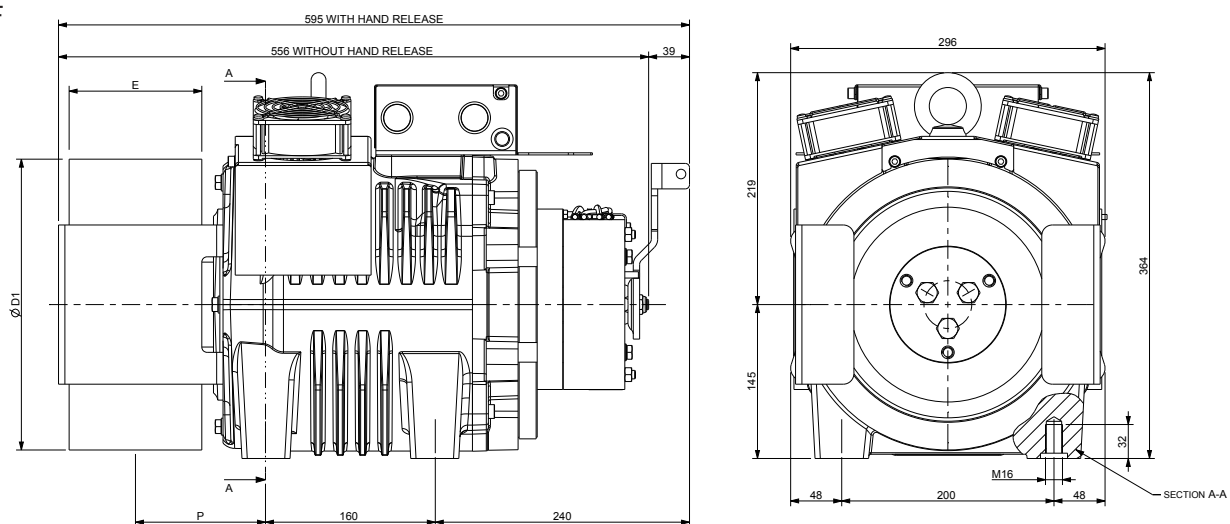
Standard Cable Length: 10 [m]

* CSW: Conventional single wrap.

** Sample data; for more detailed evaluations we recommend our product configurator.

SG15F - DIMENSIONS

Mod. SG15145BF



Ø D1	E	P	Max Weight	Inertia	Roping System	Torque S3 40%	Max Static Load	Max Power **
[mm]	[mm]	[mm]	[kg]	[kgm ²]		[Nm]	[kN - kg]	[kW]
120	125	122	155	0,10	CSW *	245	27,5 - 2800	7,4
160				0,14				
200				0,22				
210				0,25				
240				0,37				
270				0,48				
320	117	0,55						

Brake Specifications

Braking Torque: 2x280 [Nm]

Standard Supply Voltage: 207 [V DC]

Power: 2x79 [W]

Degree of Protection: IP10

Standard Encoder Data

Type: Absolute EnDat

Model: Heidenhain ECN 1313

Positions values/rev: 2048 imp 13 bits

Degree of Protection: IP40

Standard Cable Length: 10 [m]

Ventilation data

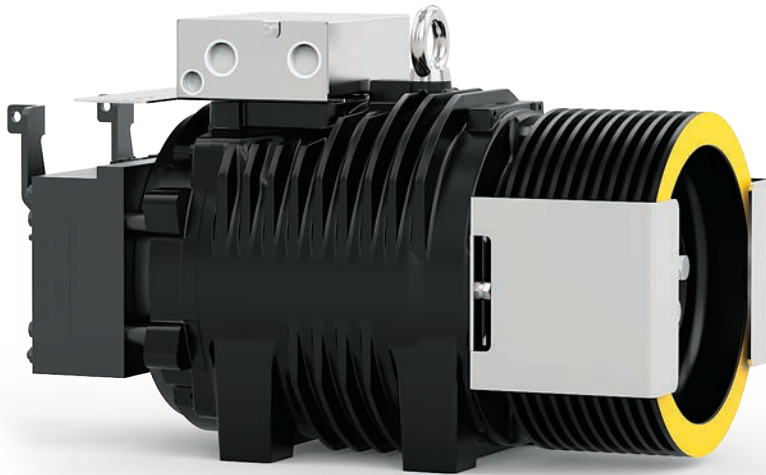
Voltage: 220 [V]

Power: 2x16 [W]

* CSW: Conventional single wrap.

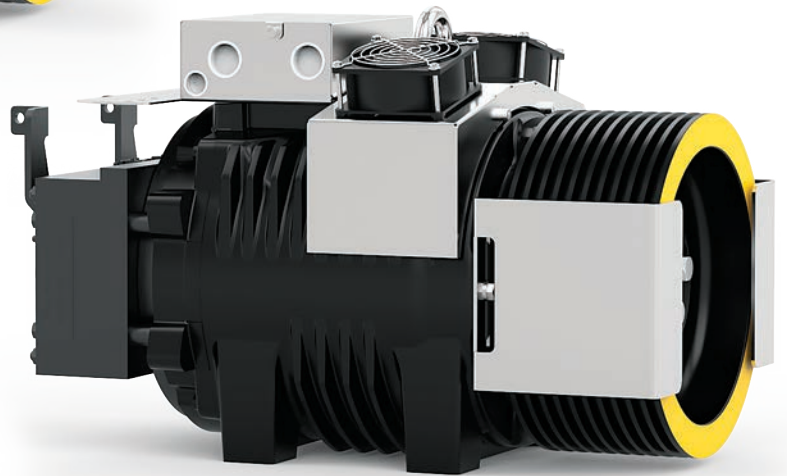
** Sample data; for more detailed evaluations we recommend our product configurator.

GEARLESS SG22 - SG22F



SG22 Gearless without fan kit

Rated Torque **290 Nm SG22F (S3 40%)**
 Braking Torque **2x280 Nm**
 Power Range (min - max) **3,1 - 8,8 kW**
 Maximum Static Load **27,5 kN - 2800 kg**
 Maximum Weight **163 kg**
 Motor Rated Voltage **360 V - 208 V**



SG22F Gearless with fan kit

SAMPLE CONFIGURATION TABLE **

Model	Ø Traction sheave	Car speed	Q Rated load	P Car weight	rpm	P ***	I ***	Installation frequency	Ropes Nr x diameter Ø
	[mm]	[m/s]	[kg]	[kg]	[min-1]	[kW]	[A]	[Hz]	[mm]
SG22145B	120	0,63	1600	1600	199	6,25	15,39	33,4	7 x Ø 6,5 (*)
SG22145B	160	0,63	1000	1200	199	3,90	12,9	25	5 x Ø 6,5 (*)
SG22145B	160	1,00	1000	1200	254	6,22	15,1	39,6	5 x Ø 6,5 (*)
SG22145BF	200	0,63	800	950	120	3,61	9,7	20	9 x Ø 6,5
SG22145BF	200	1,00	800	950	199	5,85	15,3	31,7	10 x Ø 6,5
SG22145B	210	0,63	800	950	120	3,55	9,91	19	8 x Ø 6,5
SG22145BF	210	1,00	675	930	199	5,01	13,7	30,2	9 x Ø 6,5
SG22145BF	210	1,60	630	930	291	7,83	18,7	48,5	10 x Ø 6,5
SG22145BF	240	0,63	675	930	120	2,99	9,6	16,6	7 x Ø 6,5
SG22145BF	240	1,00	675	930	199	4,88	15,3	26,4	8 x Ø 6,5
SG22145B	240	1,60	480	700	254	5,83	13,4	42,4	7 x Ø 6,5
SG22145BF	320	0,63	480	700	120	2,17	9,3	12,5	4 x Ø 8
SG22145BF	320	1,00	480	700	120	3,60	9,7	19,8	5 x Ø 8
SG22145BF	320	1,60	400	680	199	5,27	13,64	31,8	4 x Ø 8
SG22145BF	320	2,00	400	600	254	6,29	15,4	39,7	5 x Ø 8

General data

Harmonized standards of reference	EN 81-20 e EN 81-50
Roping	2:1 - Conventional Single Wrap
Machine position	Top
Compartment efficiency	0,9
Nr of defecti on pulleys on ball bearing	2 for rated load ≤ 1000 kg - 3 for rated load > 1000 kg
Counterweight balancing	50%
Travel height	30 m
Duty cycle	S3 40%
Starts/hour	180
Wrap angle	180°
Acceleration	0,3±0,5m/s ² for car speed ≤ 1 m/s - 0,5±0,7m/s ² for car speed > 1 m/s

Refer to the product configurator for the value of the short circuit torque, the relative speed and the minimum voltage that allows the operation of gearless machine.

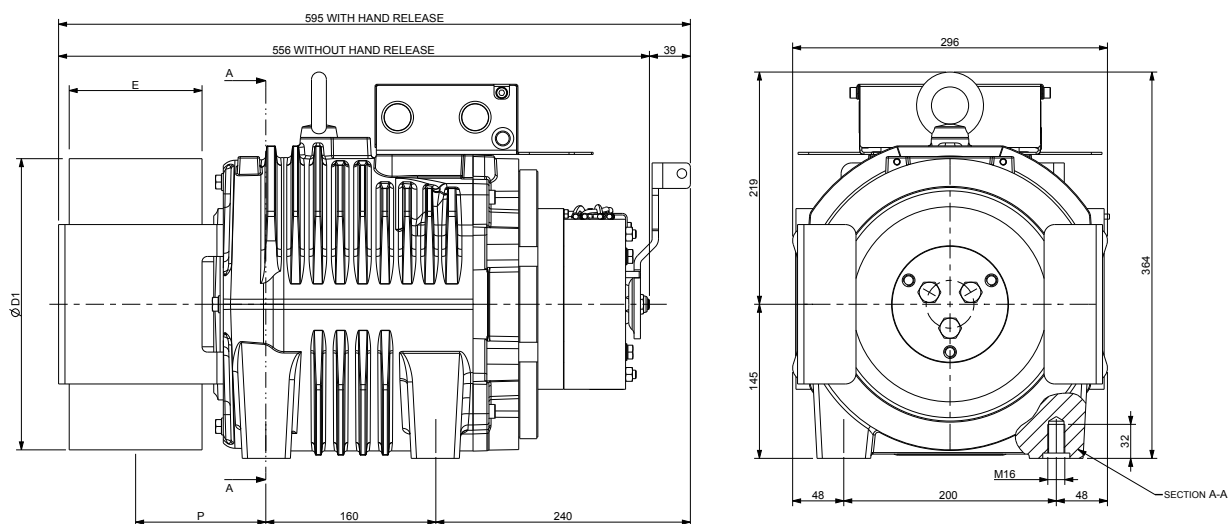
* Pu-coated ropes

** Sample data; for more detailed evaluations we recommend our product configurator.

*** Values referred to configuration table (360V)

SG22 - DIMENSIONS

Mod. SG22145B



Ø D1	E	P	Max Weight	Inertia	Roping System	Torque S3 40%	Max Static Load	Max Power **
[mm]	[mm]	[mm]	[kg]	[kgm ²]		[Nm]	[kN - kg]	[kW]
120	125	122	160	0,11	CSW *	250	27,5 - 2800	7,6
160				0,16				
200				0,24				
210				0,27				
240				0,38				
270				0,49				
320	117		0,57					

Brake Specifications

Braking Torque: 2x280 [Nm]
Standard Supply Voltage: 207 [V DC]
Power: 2x79 [W]
Degree of Protection: IP10

Standard Encoder Data

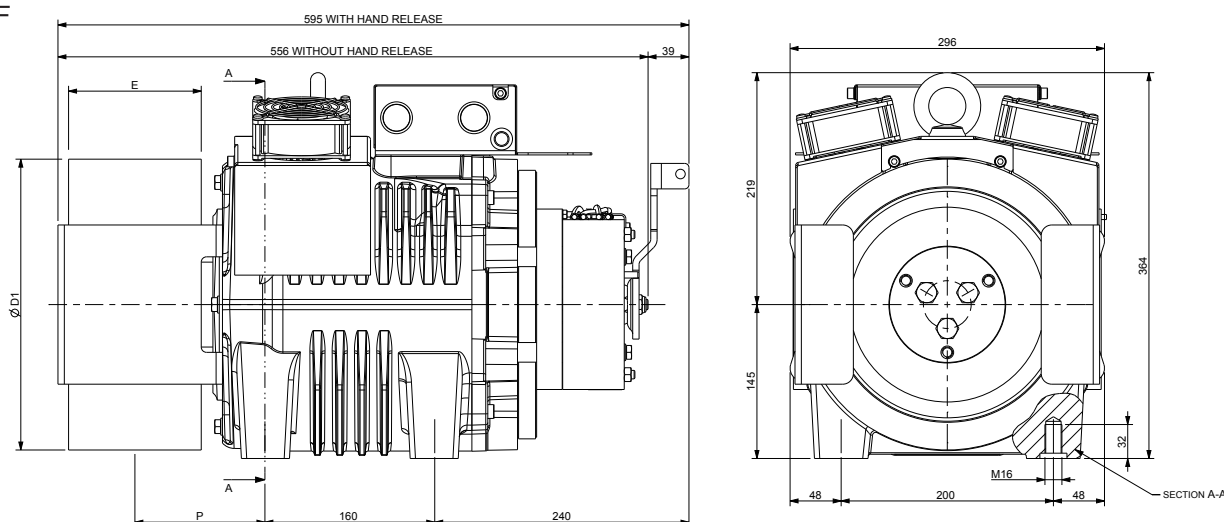
Type: Absolute EnDat
Model: Heidenhain ECN 1313
Positions values/rev: 2048 imp 13 bits
Degree of Protection: IP40
Standard Cable Length: 10 [m]

* CSW: Conventional single wrap.

** Sample data; for more detailed evaluations we recommend our product configurator.

SG22F - DIMENSIONS

Mod. SG22145BF



Ø D1	E	P	Max Weight	Inertia	Roping System	Torque S3 40%	Max Static Load	Max Power **
[mm]	[mm]	[mm]	[kg]	[kgm ²]		[Nm]	[kN - kg]	[kW]
120	125	122	163	0,11	CSW *	290	27,5 - 2800	8,8
160				0,16				
200				0,24				
210				0,27				
240				0,38				
270				0,49				
320	117		0,57					

Brake Specifications

Braking Torque: 2x280 [Nm]
Standard Supply Voltage: 207 [V DC]
Power: 2x79 [W]
Degree of Protection: IP10

Standard Encoder Data

Type: Absolute EnDat
Model: Heidenhain ECN 1313
Positions values/rev: 2048 imp 13 bits
Degree of Protection: IP40
Standard Cable Length: 10 [m]

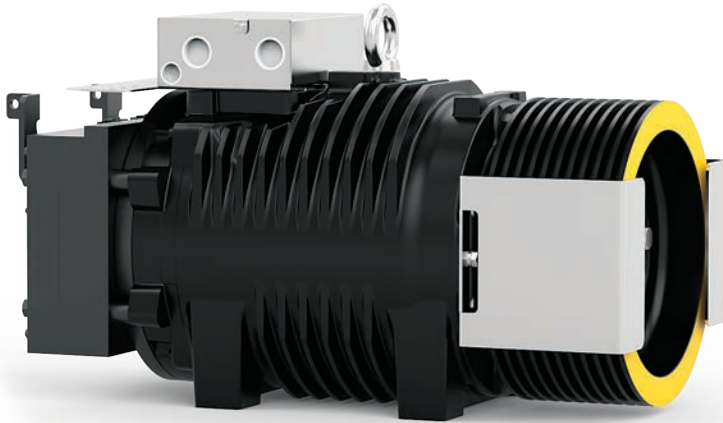
Ventilation data

Voltage: 220 [V]
Power: 2x16 [W]

* CSW: Conventional single wrap.

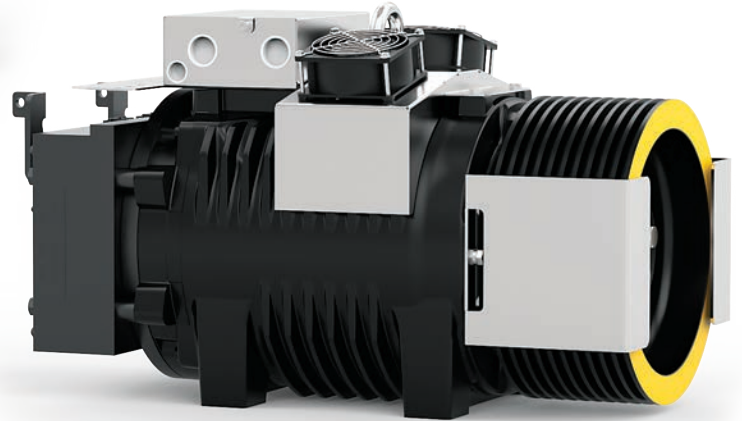
** Sample data; for more detailed evaluations we recommend our product configurator.

GEARLESS SG30 - SG30F



SG30 Gearless without fan kit

Rated Torque **495 Nm SG30F (S3 40%)**
 Braking Torque **2x410 Nm**
 Power Range (min - max) **4,1 - 13,9 kW**
 Maximum Static Load **34,3 kN - 3500 kg**
 Maximum Weight **193 kg**
 Motor Rated Voltage **360 V - 208 V**



SG30F Gearless with fan kit

SAMPLE CONFIGURATION TABLE **

Model	Ø Traction sheave	Car speed	Q Rated load	P Car weight	rpm	P ***	I ***	Installation frequency	Ropes Nr x diameter Ø
	[mm]	[m/s]	[kg]	[kg]	[min ⁻¹]	[kW]	[A]	[Hz]	[mm]
SG30145B	120	0,63	2000	1650	199	7,72	20,19	33,2	8 x Ø 6,5 (*)
SG30145B	120	1,00	1600	1600	380	10,00	29,80	53,0	8 x Ø 6,5 (*)
SG30145B	160	0,63	1275	1400	199	5,02	17,51	24,9	7 x Ø 6,5 (*)
SG30145B	160	1,00	1275	1400	254	7,99	20,30	39,6	7 x Ø 6,5 (*)
SG30145B	160	1,60	1275	1400	380	12,67	31,53	63,5	7 x Ø 6,5 (*)
SG30145B	200	0,63	1000	1200	120	4,45	12,25	20,0	10 x Ø 6,5
SG30145B	200	1,00	1000	1200	199	7,10	19,33	31,9	10 x Ø 6,5
SG30145BF	200	1,60	800	950	380	9,38	29,40	50,8	10 x Ø 6,5
SG30145BF	200	2,00	675	930	380	10,26	25,80	63,4	10 x Ø 6,5
SG30145B	210	0,63	1000	1200	120	4,46	12,87	19,1	10 x Ø 6,5
SG30145B	210	1,00	1000	1200	199	7,06	20,29	30,2	10 x Ø 6,5
SG30145B	210	1,60	800	950	291	9,47	23,37	48,5	10 x Ø 6,5
SG30145BF	210	2,00	675	930	380	10,28	35,20	60,7	10 x Ø 6,5
SG30145B	240	0,63	800	950	120	3,49	11,50	16,7	7 x Ø 6,5
SG30145B	240	1,00	800	950	199	5,66	18,55	26,5	8 x Ø 6,5
SG30145B	240	1,60	800	950	254	9,06	21,51	42,4	8 x Ø 6,5
SG30145BF	240	2,00	675	930	380	9,87	29,42	53,0	9 x Ø 6,5
SG30145B	320	0,63	675	930	120	3,00	13,22	12,5	5 x Ø 8
SG30145B	320	1,00	675	930	120	4,75	13,22	19,8	5 x Ø 8
SG30145B	320	1,60	480	700	199	5,82	15,88	31,8	5 x Ø 8
SG30145B	320	2,00	480	700	254	7,26	18,41	39,7	5 x Ø 8
SG30145BF	320	2,50	450	680	380	8,66	27,52	49,7	5 x Ø 8

General data

Harmonized standards of reference	EN 81-20 e EN 81-50
Roping	2:1 - Conventional Single Wrap
Machine position	Top
Compartment efficiency	0,9
Nr of defecti on pulleys on ball bearing	2 for rated load ≤ 1000 kg - 3 for rated load > 1000 kg
Counterweight balancing	50%
Travel height	30 m
Duty cycle	S3 40%
Starts/hour	180
Wrap angle	180°
Acceleration	0,3±0,5m/s ² for car speed ≤ 1 m/s - 0,5±0,7m/s ² for car speed > 1 m/s

Refer to the product configurator for the value of the short circuit torque, the relative speed and the minimum voltage that allows the operation of gearless machine.

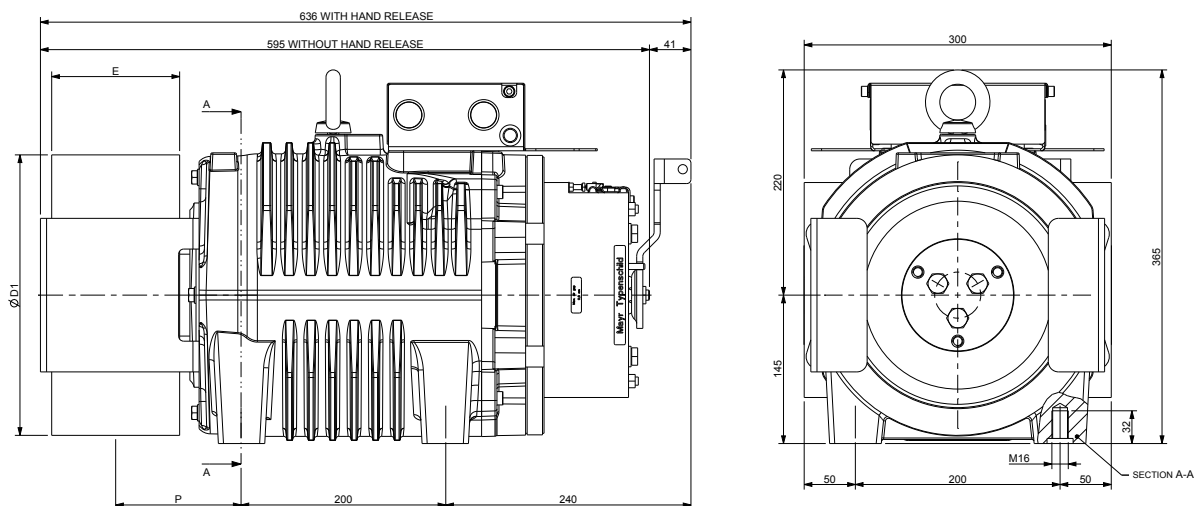
* Pu-coated ropes

** Sample data; for more detailed evaluations we recommend our product configurator.

*** Values referred to configuration table (360V)

SG30 - DIMENSIONS

Mod. SG30145B



Ø D1	E	P	Max Weight	Inertia	Roping System	Torque S3 40%	Max Static Load	Max Power **
[mm]	[mm]	[mm]	[kg]	[kgm ²]		[Nm]	[kN - kg]	[kW]
120	125	123	190	0,15	CSW *	330	34,3 - 3500	11,1
160				0,19				
200				0,27				
210				0,30				
240				0,42				
270				0,53				
320				0,60				
360	100	110		0,78				
400				1,07				

Brake Specifications

Braking Torque: 2x410 [Nm]

Standard Supply Voltage: 207 [V DC]

Power: 2x82 [W]

Degree of Protection: IP10

Standard Encoder Data

Type: Absolute EnDat

Model: Heidenhain ECN 1313

Positions values/rev: 2048 imp 13 bits

Degree of Protection: IP40

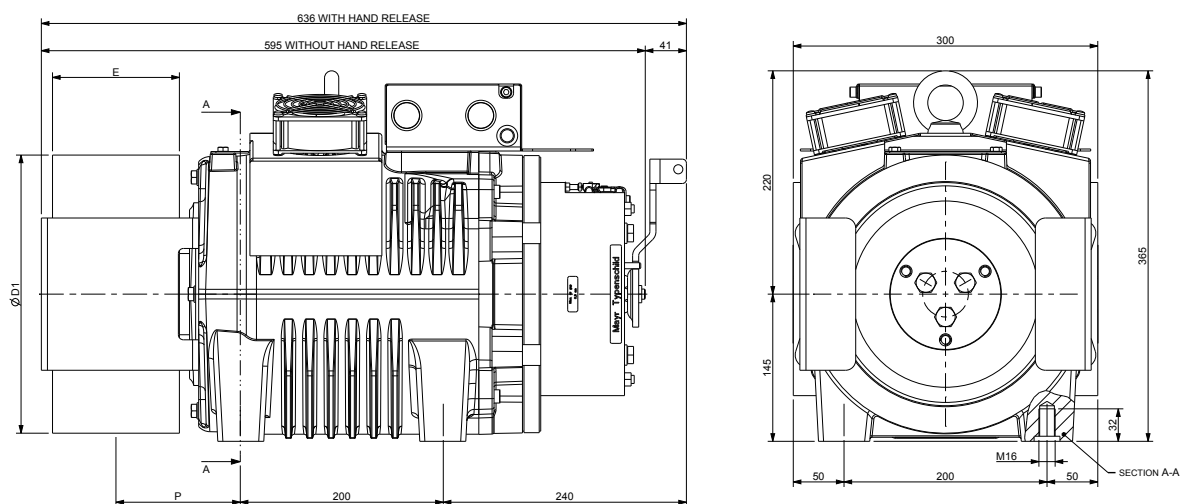
Standard Cable Length: 10 [m]

* CSW: Conventional single wrap.

** Sample data; for more detailed evaluations we recommend our product configurator.

SG30F - DIMENSIONS

Mod. SG30145BF



Ø D1	E	P	Max Weight	Inertia	Roping System	Torque S3 40%	Max Static Load	Max Power **
[mm]	[mm]	[mm]	[kg]	[kgm ²]		[Nm]	[kN - kg]	[kW]
120	125	123	193	0,15	CSW *	395	34,3 - 3500	13,9
160				0,19				
200				0,27				
210				0,30				
240				0,42				
270				0,53				
320				0,60				
360	100	110		0,78				
400				1,07				

Brake Specifications

Braking Torque: 2x410 [Nm]

Standard Supply Voltage: 207 [V DC]

Power: 2x82 [W]

Degree of Protection: IP10

Standard Encoder Data

Type: Absolute EnDat

Model: Heidenhain ECN 1313

Positions values/rev: 2048 imp 13 bits

Degree of Protection: IP40

Standard Cable Length: 10 [m]

Ventilation data

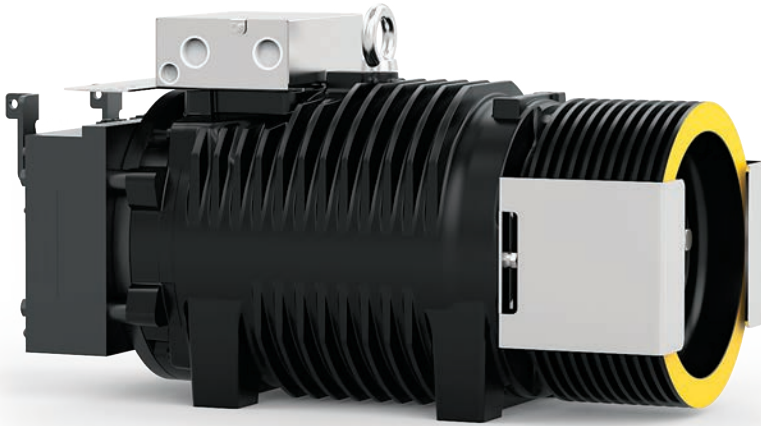
Voltage: 220 [V]

Power: 2x16 [W]

* CSW: Conventional single wrap.

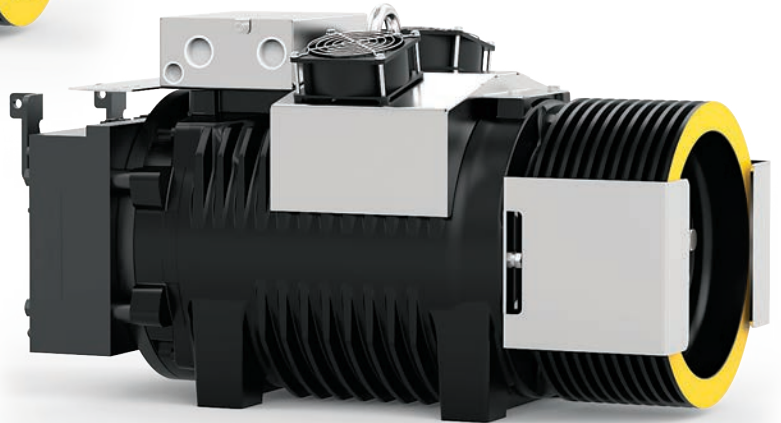
** Sample data; for more detailed evaluations we recommend our product configurator.

GEARLESS SG38 - SG38F



SG38 Gearless without fan kit

Rated Torque **490 Nm SG38F (S3 40%)**
 Braking Torque **2x410 Nm**
 Power Range (min - max) **5,2 - 19,5 kW**
 Maximum Static Load **34,3 kN - 3500 kg**
 Maximum Weight **226 kg**
 Motor Rated Voltage **360 V - 208 V**



SG38F Gearless with fan kit

SAMPLE CONFIGURATION TABLE **

Model	∅ Traction sheave	Car speed	Q Rated load	P Car weight	rpm	P ***	I ***	Installation frequency	Ropes Nr x diameter ∅
	[mm]	[m/s]	[kg]	[kg]	[min ⁻¹]	[kW]	[A]	[Hz]	[mm]
SG38145B	120	0,63	2000	1650	199	7,8	18,9	33,4	8x6,5 (*)
SG38145B	120	1	2000	1650	380	12,4	34	53,1	8x6,5 (*)
SG38145B	160	0,63	1600	1600	199	6,3	20,3	25,1	7x6,5 (*)
SG38145B	160	1	1600	1600	254	9,9	24,6	39,8	7x6,5 (*)
SG38145B	160	1,6	1600	1600	380	15,8	36,5	63,5	7x6,5 (*)
SG38145B	200	0,63	1000	1200	120	4,4	12,0	20,1	10x6,5
SG38145B	200	1	1000	1200	199	6,9	18,9	31,8	10x6,5
SG38145B	200	1,6	1000	1200	380	11,1	31,9	50,9	10x6,5
SG38145B	210	0,63	1000	1200	120	4,4	12,6	19,1	10x6,5
SG38145B	210	1	1000	1200	199	6,9	19,9	30,3	10x6,5
SG38145B	210	1,6	1000	1200	291	11,1	26,4	48,5	10x6,5
SG38145B	210	2	1000	1200	380	13,9	33,5	60,6	10x6,5
SG38145B	240	0,63	1000	1200	120	4,3	14,1	16,7	9x6,5
SG38145B	240	1	1000	1200	199	6,8	22,3	26,5	9x6,5
SG38145BF	240	1,6	1000	1200	254	10,9	25,9	42,4	9x6,5
SG38145BF	240	2	1000	1200	380	11,4	31,3	53,1	9x6,5
SG38145BF	320	0,63	800	950	120	3,6	15,8	12,5	6x8
SG38145BF	320	1	800	950	120	5,7	15,8	19,9	6x8
SG38145B	320	0,63	675	930	120	3,0	13,3	12,5	5x8
SG38145B	320	1	675	930	120	5,0	13,8	19,9	6x8
SG38145B	320	1,6	675	930	199	8,0	21,7	31,8	6x8
SG38145BF	320	2	675	930	254	10,0	25,2	39,8	6x8
SG38145BF	320	2,5	675	930	380	12,5	36,6	49,7	6x8

Per applicazioni gravose disponibile il modello SG40185HF.

General data	
Harmonized standards of reference	EN 81-20 e EN 81-50
Roping	2:1 - Conventional Single Wrap
Machine position	Top
Compartment efficiency	0,9
Nr of defecti on pulleys on ball bearing	2 for rated load ≤ 1000 kg - 3 for rated load > 1000 kg
Counterweight balancing	50%
Travel height	30 m
Duty cycle	S3 40%
Starts/hour	180
Wrap angle	180°
Acceleration	0,3±0,5m/s ² for car speed ≤ 1 m/s - 0,5±0,7m/s ² for car speed > 1 m/s

Refer to the product configurator for the value of the short circuit torque, the relative speed and the minimum voltage that allows the operation of gearless machine.

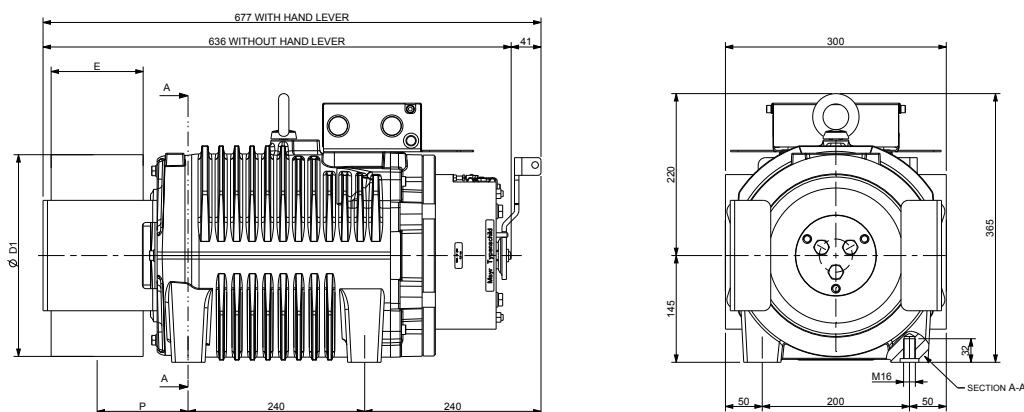
* Pu-coated ropes

** Sample data; for more detailed evaluations we recommend our product configurator.

*** Values referred to configuration table (360V)

SG38 - DIMENSIONS

Mod. SG38145B



Ø D1	E	P	Max Weight	Inertia	Roping System	Torque S3 40%	Max Static Load	Max Power **
[mm]	[mm]	[mm]	[kg]	[kgm ²]		[Nm]	[kN - kg]	[kW]
120	125	124	223	0,18	CSW *	410	34,3 - 3500	16,3
160				0,22				
200				0,28				
210				0,33				
240				0,42				
270				0,58				
320				119				
360	100	111		0,81				
400				1,10				
440				1,44				
480				2,20				
520				2,55				

Brake Specifications

Braking Torque: 2x410 [Nm]
Standard Supply Voltage: 207 [V DC]
Power: 2x82 [W]
Degree of Protection: IP10

Standard Encoder Data

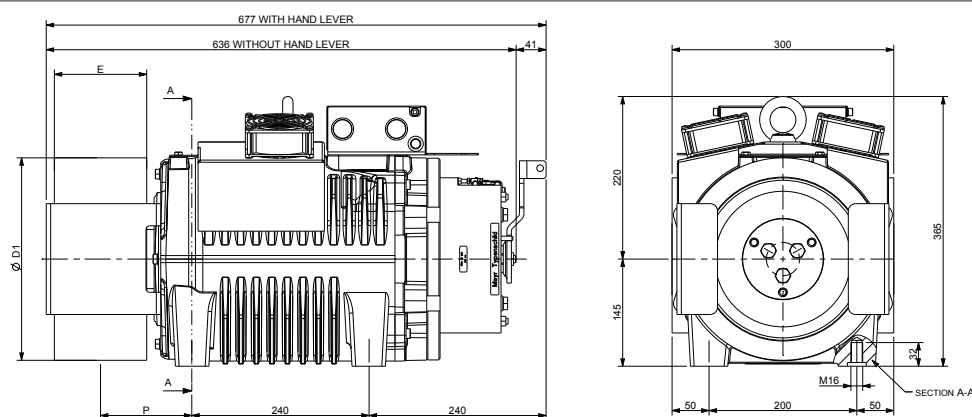
Type: Absolute EnDat
Model: Heidenhain ECN 1313
Positions values/rev: 2048 imp 13 bits
Degree of Protection: IP40
Standard Cable Length: 10 [m]

* CSW: Conventional single wrap.

** Sample data; for more detailed evaluations we recommend our product configurator.

SG38F - DIMENSIONS

Mod. SG38145BF



Ø D1	E	P	Max Weight	Inertia	Roping System	Torque S3 40%	Max Static Load	Max Power **
[mm]	[mm]	[mm]	[kg]	[kgm ²]		[Nm]	[kN - kg]	[kW]
120	125	124	226	0,18	CSW *	490	34,3 - 3500	19,5
160				0,22				
200				0,28				
210				0,33				
240				0,42				
270				0,58				
320				119				
360	100	111		0,81				
400				1,10				
440				1,44				
480				2,20				
520				2,55				

Brake Specifications

Braking Torque: 2x410 [Nm]
Standard Supply Voltage: 207 [V DC]
Power: 2x82 [W]
Degree of Protection: IP10

Standard Encoder Data

Type: Absolute EnDat
Model: Heidenhain ECN 1313
Positions values/rev: 2048 imp 13 bits
Degree of Protection: IP40
Standard Cable Length: 10 [m]

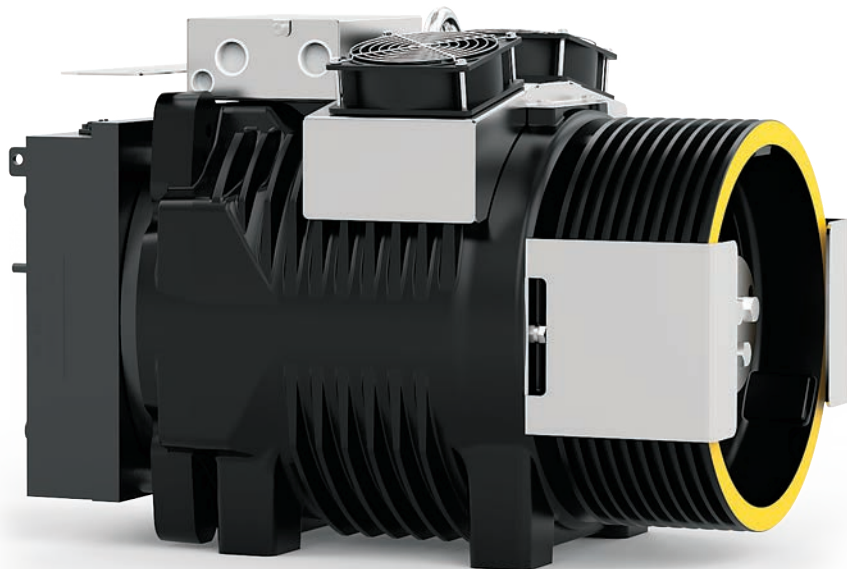
Ventilation data

Voltage: 220 [V]
Power: 2x16 [W]

* CSW: Conventional single wrap.

** Sample data; for more detailed evaluations we recommend our product configurator.

Rated Torque **550 Nm (S3 40%)**
 Braking Torque **2x600Nm**
 Power Range (min - max) **6,9 - 21,9 kW**
 Maximum Static Load **34,3 kN - 3500 kg**
 Maximum Weight **288 kg**
 Motor Rated Voltage **360 V - 208 V**



SAMPLE CONFIGURATION TABLE **

Model	Ø Traction sheave	Car speed	Q Rated load	P Car weight	rpm	P ***	I ***	Installation frequency	Ropes Nr x diameter Ø
	[mm]	[m/s]	[kg]	[kg]	[min-1]	[kW]	[A]	[Hz]	[mm]
SG40185HF	160	0,63	2000	1650	191	7,63	20,3	25,1	8 x 6,5(*)
SG40185HF	160	1	2000	1650	255	12,1	26,4	39,8	8 x 6,5(*)
SG40185HF	160	1,6	2000	1650	380	19,3	39,7	63,5	8 x 6,5(*)
SG40185HF	200	0,63	1600	1600	119	6,14	13,4	20,1	7 x 6,5(*)
SG40185HF	200	1	1600	1600	191	9,71	20,4	31,8	7 x 6,5(*)
SG40185HF	240	0,63	1275	1400	119	5,36	14,1	16,7	10 x 6,5
SG40185HF	240	1	1275	1400	191	8,39	21,1	26,5	9 x 6,5
SG40185HF	270	0,63	1000	1200	119	4,56	13,5	14,9	8 x 8
SG40185HF	270	1	1000	1200	191	7,22	20,4	23,6	8 x 8

General data

Harmonized standards of reference	EN 81-20 e EN 81-50
Roping	2:1 - Conventional Single Wrap
Machine position	Top
Compartment efficiency	0,9
Nr of deflection pulleys on ball bearings	2 for rated load ≤ 1000 kg 3 for rated load > 1000 kg
Counterweight balancing	50%
Travel height	30 m
Duty cycle	S3 40%
Starts/hour	180
Wrap angle	180°
Acceleration	0,3+0,5m/s ² for car speed ≤ 1 m/s 0,5+0,7m/s ² for car speed > 1 m/s

Refer to the product configurator for the value of the short circuit torque, the relative speed and the minimum voltage that allows the operation of gearless machine.

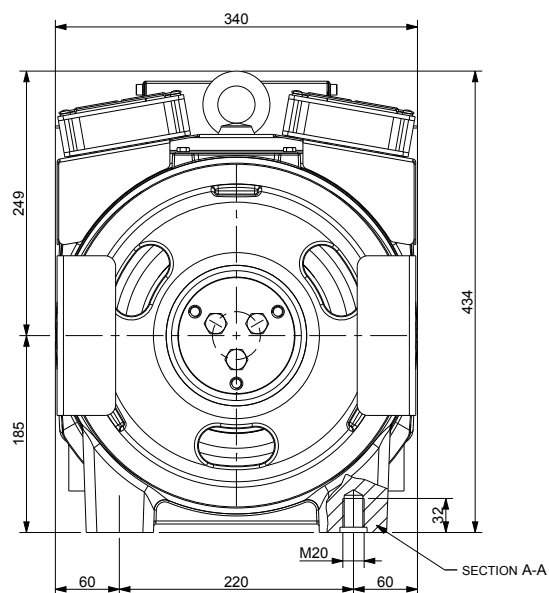
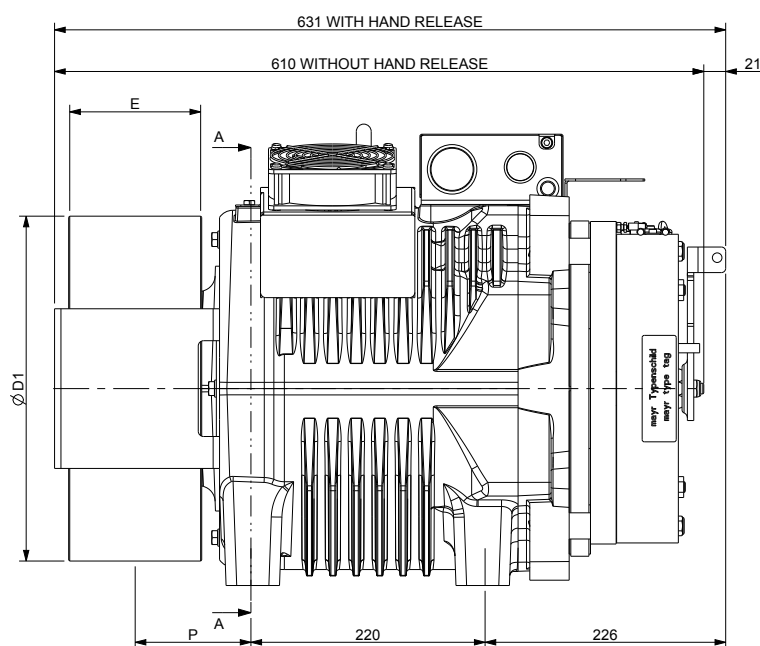
* Pu-coated ropes

** Sample data; for more detailed evaluations we recommend our product configurator.

*** Values referred to configuration table (360V)

SG40HF - DIMENSIONS

Mod. SG40185HF



Ø D1	E	P	Max Weight	Inertia	Roping System	Torque S3 40%	Max Static Load	Max Power **
[mm]	[mm]	[mm]	[kg]	[kgm ²]		[Nm]	[kN - kg]	[kW]
120	125	114	258	0,27	CSW *	550	34,3 - 3500	21,9
160				0,32				
200				0,40				
210				0,43				
240				0,54				
270				0,66				
320	109			0,73				
360	100	101		0,91				
400				1,20				
440				1,54				
480				1,92				
520	110	106		2,30				

Brake Specifications

Braking Torque: 2x600 [Nm]
Standard Supply Voltage: 207 [V DC]
Power: 2x92 [W]
Degree of Protection: IP10

Standard Encoder Data

Type: Absolute EnDat
Model: Heidenhain ECN 1313
Positions values/rev: 2048 imp 13 bits
Degree of Protection: IP40
Standard Cable Length: 10 [m]

Ventilation data

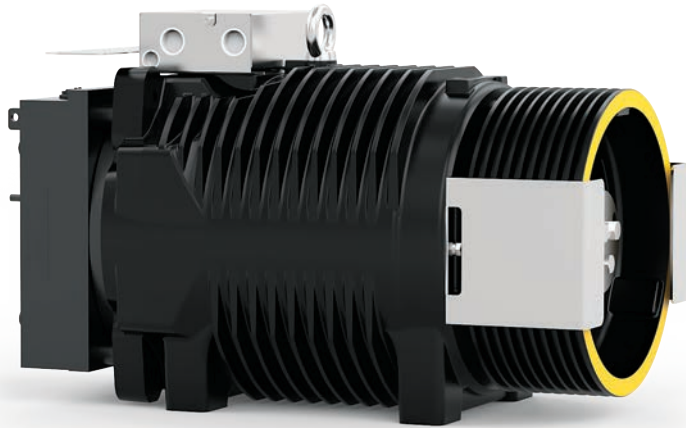
Voltage: 220 [V]
Power: 2x16 [W]

* CSW: Conventional single wrap.

** Sample data; for more detailed evaluations we recommend our product configurator.

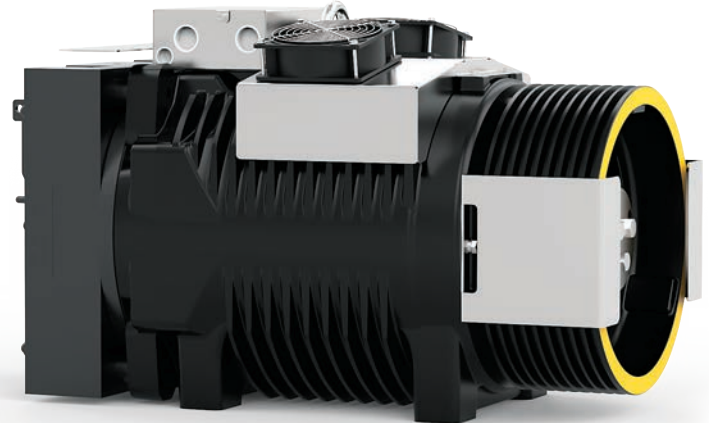
*** For heavy duty

GEARLESS SG48 - SG48F/HF



SG48 Gearless without fan kit

Rated Torque **720 Nm SG48F (S3 40%)**
 Braking Torque **2x600 Nm (F) - 2x850 Nm (HF)**
 Power Range (min - max) **4,1 - 23,4 kW**
 Maximum Static Load **34,3 kN - 3500 kg**
 Maximum Weight **324 kg (F) 364 kg (HF)**
 Motor Rated Voltage **360 V - 208 V**



SG48F/HF Gearless with fan kit

SAMPLE CONFIGURATION TABLE **

Model	Ø Traction sheave	Car speed	Q Rated load	P Car weight	rpm	P ***	I ***	Installation frequency	Ropes Nr x diameter Ø
	[mm]	[m/s]	[kg]	[kg]	[min ⁻¹]	[kW]	[A]	[Hz]	[mm]
SG48185HF	240	0,63	1600	1600	120	7,08	18,97	16,7	10 x Ø 8
SG48185HF	240	1,00	1600	1600	195	11,28	29,37	26,6	10 x Ø 8
SG48185B	240	1,60	1275	1400	275	14,83	34,4	42,4	10 x Ø 8
SG48185HF	320	0,63	1275	1400	120	5,24	18,77	12,5	8 x Ø 8
SG48185HF	320	1,00	1275	1400	120	8,95	20,13	19,9	9 x Ø 8
SG48185BF	320	1,60	1000	1200	195	11,65	25,6	31,8	9 x Ø 8
SG48185BF	320	2,00	1000	1200	375	14,88	36,8	39,7	10 x Ø 8
SG48185BF	320	2,50	1000	1200	310	18,35	39,68	49,7	9 x Ø 8
SG48185HF	400	0,63	1000	1200	65	4,32	11,88	10	4 x Ø 10
SG48185HF	400	1,00	1000	1200	120	7,12	20,05	15,9	5 x Ø 10
SG48185BF	400	1,60	800	950	195	9,09	24,9	25,4	5 x Ø 9
SG48185BF	400	2,00	800	950	195	11,86	26,0	31,9	5 x Ø 10
SG48185BF	400	2,50	675	930	375	12,99	32,1	39,8	5 x Ø 10
SG48185HF	440	0,63	1000	1200	65	4,20	12,69	9,1	5 x Ø 8
SG48185HF	440	1,00	1000	1200	120	6,86	21,16	14,5	6 x Ø 8
SG48185BF	480	0,63	800	950	65	3,40	11,3	--	3 x Ø 10
SG48185BF	480	1,00	800	950	120	5,75	19,3	--	4 x Ø 10
SG48185BF	480	1,60	675	930	195	7,60	24,8	21,2	5 x Ø 8
SG48185BF	480	2,00	675	930	195	9,50	24,8	26,5	5 x Ø 8
SG48185B	520	0,63	630	900	65	2,79	10	7,7	4 x Ø 8
SG48185BF	520	1,00	630	900	120	4,50	16,2	12,3	4 x Ø 8
SG48185BF	520	1,60	630	900	120	7,10	16,2	19,6	4 x Ø 8
SG48185BF	520	2,00	630	900	195	8,90	25,1	24,5	4 x Ø 8

For heavy duty model SG48185HF available.

General data	
Harmonized standards of reference	EN 81-20 e EN 81-50
Roping	2:1 - Conventional Single Wrap
Machine position	Top
Compartment efficiency	0,9
Nr of defecti on pulleys on ball bearing	2 for rated load ≤ 1000 kg - 3 for rated load > 1000 kg
Counterweight balancing	50%
Travel height	30 m
Duty cycle	S3 40%
Starts/hour	180
Wrap angle	180°
Acceleration	0,3±0,5m/s ² for car speed ≤ 1 m/s - 0,5±0,7m/s ² for car speed > 1 m/s

Refer to the product configurator for the value of the short circuit torque, the relative speed and the minimum voltage that allows the operation of gearless machine.

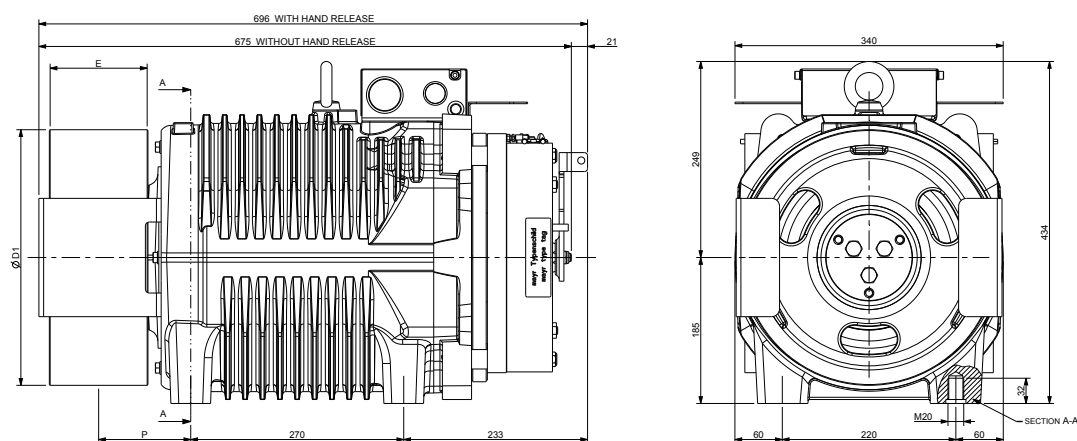
* Pu-coated ropes

** Sample data; for more detailed evaluations we recommend our product configurator.

*** Values referred to configuration table (360V)

SG48 - DIMENSIONS

Mod. SG48185B



Ø D1	E	P	Max Weight	Inertia	Roping System	Torque S3 40%	Max Static Load	Max Power **
[mm]	[mm]	[mm]	[kg]	[kgm ²]		[Nm]	[kN - kg]	[kW]
120	125	122	309	0,36	CSW *	600	34,3 - 3500	19,5
160				0,40				
200				0,48				
210				0,51				
240				0,63				
270				0,74				
320				117				
360	100	109		0,99				
400				1,28				
440				1,62				
480				2,00				
520				2,38				

Brake Specifications

Braking Torque: 2x600 [Nm]
Standard Supply Voltage: 207 [V DC]
Power: 2x92 [W]
Degree of Protection: IP10

Standard Encoder Data

Type: Absolute EnDat
Model: Heidenhain ECN 1313
Positions values/rev: 2048 imp 13 bits
Degree of Protection: IP40
Standard Cable Length: 10 [m]

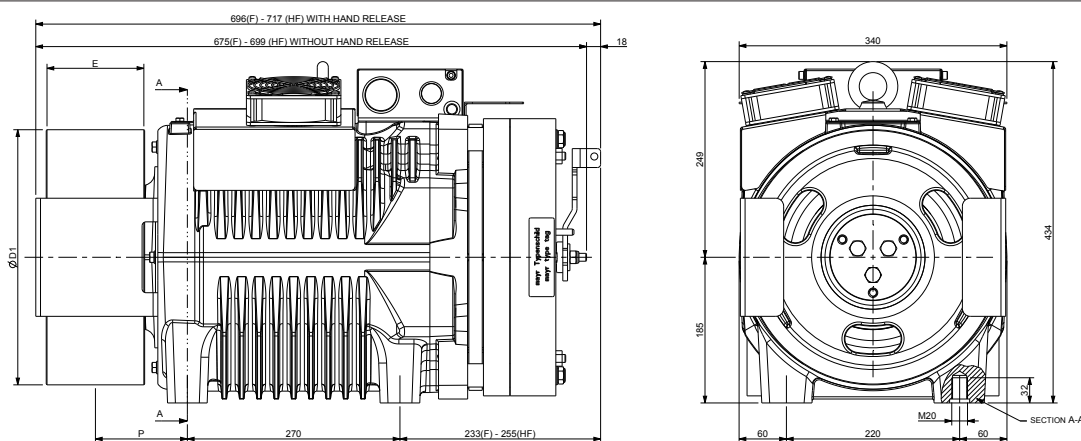
* CSW: Conventional single wrap.

** Sample data; for more detailed evaluations we recommend our product configurator.

SG48F/HF - DIMENSIONS

Mod. SG48185BF

Mod. SG48185HF



Ø D1	E	P	Max Weight	Inertia	Roping System	Torque S3 40%	Max Static Load	Max Power **
[mm]	[mm]	[mm]	[kg]	[kgm ²]		[Nm]	[kN - kg]	[kW]
120	125	122	324 (F) 364 (HF)	0,36	CSW *	720	34,3 - 3500	23,4
160				0,40				
200				0,48				
210				0,51				
240				0,63				
270				0,74				
320				117				
360	100	109		0,99				
400				1,28				
440				1,62				
480				2,00				
520				2,38				

Brake Specifications

Braking Torque (SG48F): 2x600 [Nm]
Braking Torque (SG48HF): 2x850 [Nm]
Standard Supply Voltage: 207 [V DC]
Power (SG48F): 2x92 [W] - **(SG48HF):** 2x131 [W]
Degree of Protection: IP10

Standard Encoder Data

Type: Absolute EnDat
Model: Heidenhain ECN 1313
Positions values/rev: 2048 imp 13 bits
Degree of Protection: IP40
Standard Cable Length: 10 [m]

Ventilation data

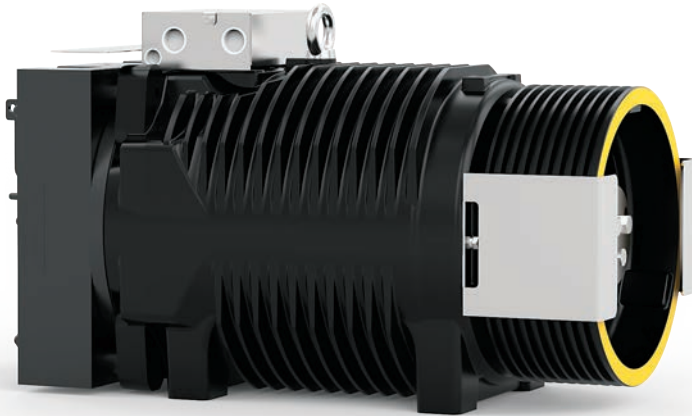
Voltage: 220 [V]
Power: 2x16 [W]

* CSW: Conventional single wrap.

** Sample data; for more detailed evaluations we recommend our product configurator.

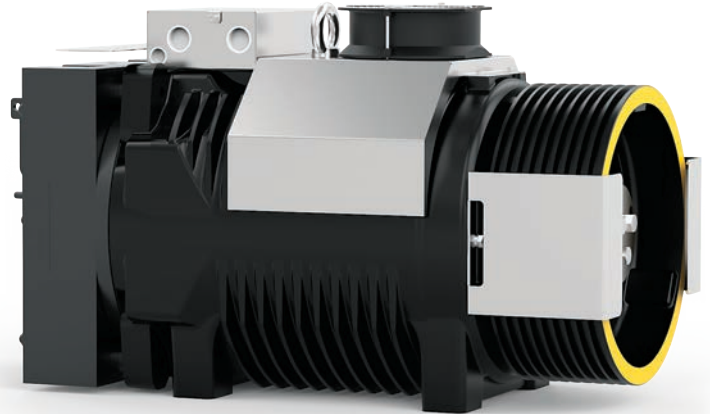
*** For heavy duty

GEARLESS SG53 - SG53F



SG53 Gearless without fan kit

Rated Torque **900 Nm SG53F (S3 40%)**
 Braking Torque **2x850 Nm**
 Power Range (min - max) **5,1 - 29,2 kW**
 Maximum Static Load **39,2 kN - 4000 kg**
 Maximum Weight **396 kg**
 Motor Rated Voltage **360 V**



SG53F Gearless with fan kit

SAMPLE CONFIGURATION TABLE **

Model	Ø Traction sheave	Car speed	Q Rated load	P Car weight	rpm	P ***	I ***	Installation frequency	Ropes Nr x diameter Ø
	[mm]	[m/s]	[kg]	[kg]	[min ⁻¹]	[kW]	[A]	[Hz]	[mm]
SG53185BF	320	0,63	1600	1600	120	6,92	24,36	12,5	10 x Ø 8
SG53185BF	320	1,00	1600	1600	120	11,18	24,73	19,9	11 x Ø 8
SG53185BF	320	1,60	1275	1400	195	14,94	33,59	31,8	10 x Ø 8
SG53185BF	320	2,00	1275	1400	275	19,08	45,64	39,8	11 x Ø 8
SG53185BF	320	2,50	1275	1400	310	23,88	51,54	49,8	11 x Ø 8
SG53185BF	400	0,63	1275	1400	65	5,51	14,12	60,0	7 x Ø 8
SG53185BF	400	1,00	1275	1400	120	8,77	24,26	15,9	7 x Ø 8
SG53185BF	400	1,60	1000	1200	195	11,14	34,49	23,1	6 x Ø 8
SG53185BF	400	2,00	1000	1200	195	14,33	32,21	31,8	7 x Ø 8
SG53185BF	400	2,50	1000	1200	275	17,93	42,88	39,8	7 x Ø 8
SG53185BF	400	3,00	1000	1200	310	21,54	48,42	47,8	7 x Ø 8
SG53185BF	440	0,63	1275	1400	65	5,40	15,19	9,1	6 x Ø 8
SG53185B	440	1,00	1000	1200	120	6,99	21,23	14,5	6 x Ø 8
SG53185BF	440	1,60	1000	1200	195	11,14	34,49	23,1	6 x Ø 8
SG53185BF	440	2,00	1000	1200	195	13,99	34,49	29,0	6 x Ø 8
SG53185BF	440	2,50	800	950	275	14,54	38,24	36,2	6 x Ø 8
SG53185BF	440	3,00	800	950	275	17,44	38,24	43,4	6 x Ø 8
SG53185B	480	0,63	800	950	65	3,7	11,3	8,3	4 x Ø 10
SG53185B	480	1,00	800	950	120	5,9	19,5	13,3	4 x Ø 10
SG53185BF	480	1,60	800	950	195	9,2	30,9	21,2	4 x Ø 10
SG53185BF	480	2,00	800	950	195	11,5	30,9	26,5	4 x Ø 10
SG53185BF	480	2,50	800	950	209	14,3	30,9	33,1	4 x Ø 10
SG53185BF	480	0,63	1000	1200	65	4,4	13,5	8,3	4 x Ø 10
SG53185BF	480	1,00	1000	1200	120	6,9	22,8	13,3	4 x Ø 10
SG53185BF	520	0,63	1000	1200	65	4,3	14,4	7,7	4 x Ø 10

General data

Harmonized standards of reference	EN 81-20 e EN 81-50
Roping	2:1 - Conventional Single Wrap
Machine position	Top
Compartment efficiency	0,9
Nr of defecti on pulleys on ball bearing	2 for rated load ≤ 1000 kg - 3 for rated load > 1000 kg
Counterweight balancing	50%
Travel height	30 m
Duty cycle	S3 40%
Starts/hour	180
Wrap angle	180°
Acceleration	0,3±0,5m/s ² for car speed ≤ 1 m/s - 0,5±0,7m/s ² for car speed > 1 m/s

Refer to the product configurator for the value of the short circuit torque, the relative speed and the minimum voltage that allows the operation of gearless machine.

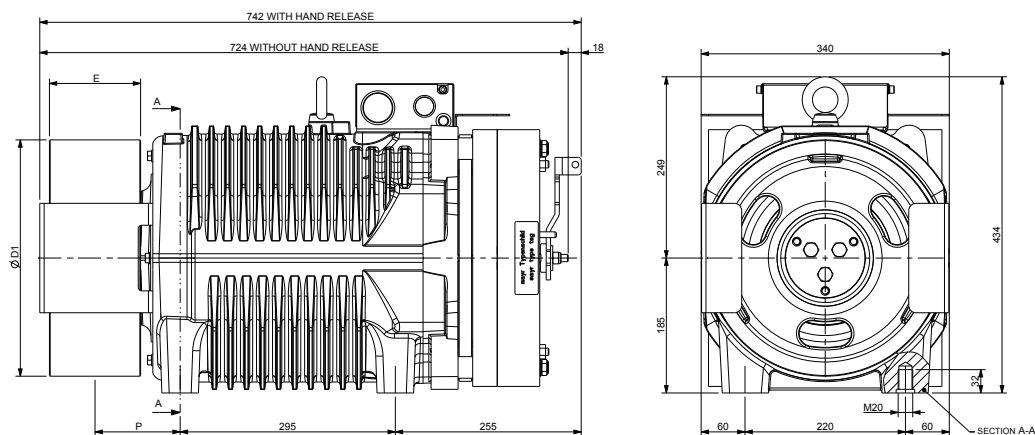
* Pu-coated ropes

** Sample data; for more detailed evaluations we recommend our product configurator.

*** Values referred to configuration table (360V)

SG53 - DIMENSIONS

Mod. SG53185B



Ø D1	E	P	Max Weight	Inertia	Roping System	Torque S3 40%	Max Static Load	Max Power **
[mm]	[mm]	[mm]	[kg]	[kgm ²]		[Nm]	[kN - kg]	[kW]
120	125	122	391	0,47	CSW *	750	39,2 - 4000	24,3
160				0,51				
200				0,59				
210				0,62				
240				0,74				
270				0,85				
320	117			0,92				
360	100	109		1,1				
400				1,39				
440	110	114		1,73				
480	125	121,5		2,11				
520	110	114		2,49				

Brake Specifications

Braking Torque: 2x850 [Nm]

Standard Supply Voltage: 207 [V DC]

Power: 2x131 [W]

Degree of Protection: IP10

Standard Encoder Data

Type: Absolute EnDat

Model: Heidenhain ECN 1313

Positions values/rev: 2048 imp 13 bits

Degree of Protection: IP40

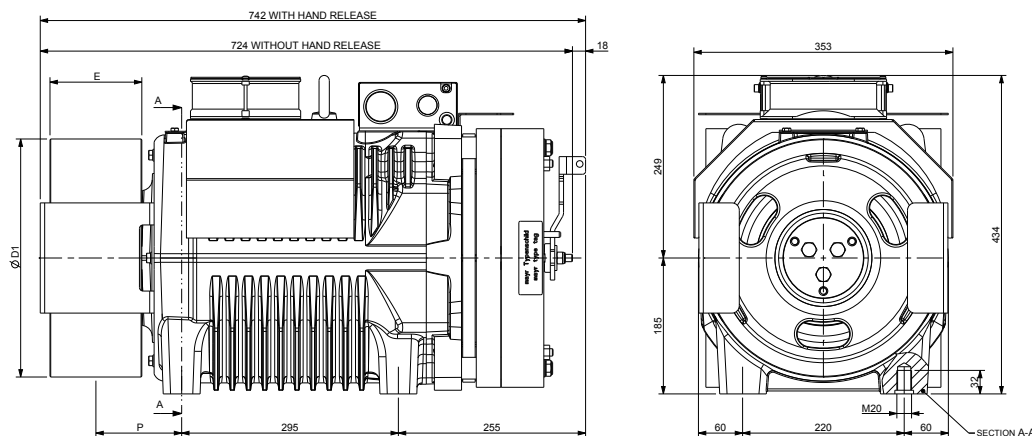
Standard Cable Length: 10 [m]

* CSW: Conventional single wrap.

** Sample data; for more detailed evaluations we recommend our product configurator.

SG53F - DIMENSIONS

Mod. SG53185BF



Ø D1	E	P	Max Weight	Inertia	Roping System	Torque S3 40%	Max Static Load	Max Power **
[mm]	[mm]	[mm]	[kg]	[kgm ²]		[Nm]	[kN - kg]	[kW]
120	125	122	396	0,47	CSW *	900	39,2 - 4000	29,2
160				0,51				
200				0,59				
210				0,62				
240				0,74				
270				0,85				
320	117			0,92				
360	100	109		1,1				
400				1,39				
440	110	114		1,73				
480	125	121,5		2,11				
520	110	114		2,49				

Brake Specifications

Braking Torque: 2x850 [Nm]

Standard Supply Voltage: 207 [V DC]

Power: 2x131 [W]

Degree of Protection: IP10

Standard Encoder Data

Type: Absolute EnDat

Model: Heidenhain ECN 1313

Positions values/rev: 2048 imp 13 bits

Degree of Protection: IP40

Standard Cable Length: 10 [m]

Ventilation data

Voltage: 220 [V]

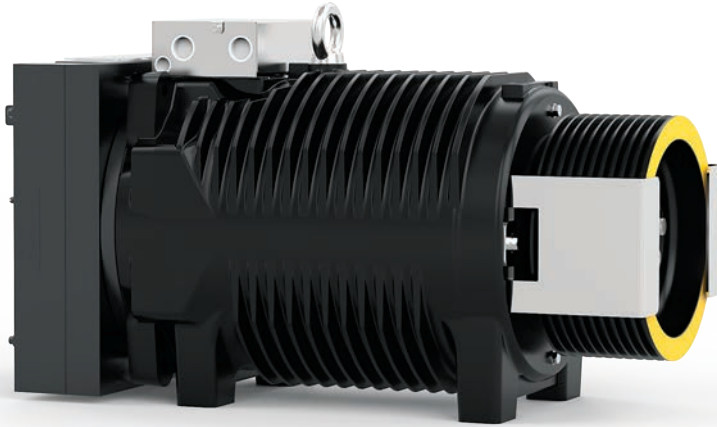
Power: 2x16 [W]

* CSW: Conventional single wrap.

** Sample data; for more detailed evaluations we recommend our product configurator.

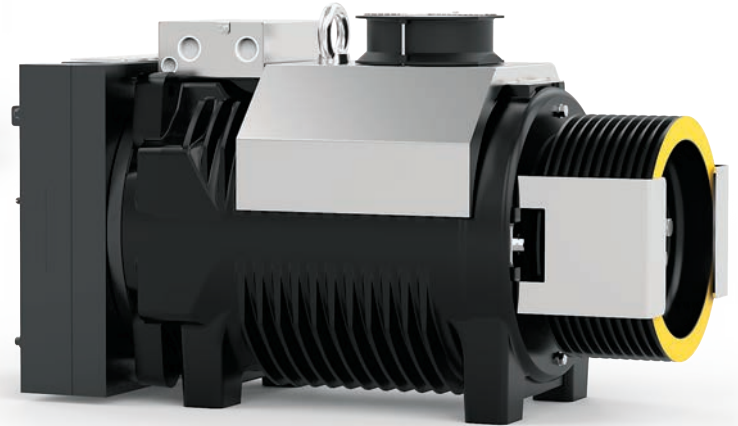
*** For heavy duty

GEARLESS SG58 - SG58F



SG58 Gearless without fan kit

Rated Torque **1065 Nm SG58F (S3 40%)**
 Braking Torque **2x1200 Nm**
 Power Range (min - max) **6 - 34,6 kW**
 Maximum Static Load **39,2 kN - 4000 kg**
 Maximum Weight **446 kg**
 Motor Rated Voltage **360 V**



SG58F Gearless with fan kit

SAMPLE CONFIGURATION TABLE **

Model	Ø Traction sheave	Car speed	Q Rated load	P Car weight	rpm	P ***	I ***	Installation frequency	Ropes Nr x diameter Ø
	[mm]	[m/s]	[kg]	[kg]	[min ⁻¹]	[kW]	[A]	[Hz]	[mm]
SG58200BF	320	0,63	2000	1650	120	8,43	41,8	12,5	11 x Ø 8
SG58200BF	320	1,00	1600	1650	120	13,52	41,76	19,9	11 x Ø 8
SG58200BF	320	1,60	1600	1600	195	17,74	51,0	31,8	11 x Ø 8
SG58200B	320	2,00	1275	1400	275	18,44	59,5	39,8	11 x Ø 8
SG58200BF	320	2,50	1275	1400	310	23,07	63,6	49,8	11 x Ø 8
SG58200BF	360	0,63	1600	1600	120	6,71	37,1	11,2	8 x Ø 8
SG58200B	360	1,00	1275	1400	120	8,68	30,5	17,6	8 x Ø 8
SG58200B	360	1,60	1275	1400	195	13,95	41,1	28,3	8 x Ø 8
SG58200BF	360	2,00	1275	1400	275	14,22	63,27	35,3	8 x Ø 8
SG58200BF	360	2,50	1275	1400	275	17,81	60,12	44,2	8 x Ø 8
SG58200BF	400	0,63	1600	1600	65	6,66	23,7	10,0	8 x Ø 8
SG58200BF	400	1,00	1600	1600	120	10,59	41,2	15,9	8 x Ø 8
SG58200BF	400	1,60	1275	1400	195	13,91	50,1	24,4	8 x Ø 8
SG58200BF	400	2,00	1275	1400	195	17,47	50,1	31,9	8 x Ø 8
SG58200BF	400	2,50	1000	1200	275	17,82	57,5	39,8	8 x Ø 8
SG58200BF	400	3,00	1000	1200	310	21,35	61,4	47,7	8 x Ø 8
SG58200BF	440	0,63	1600	1600	65	6,56	25,7	9,1	7 x Ø 8
SG58200BF	440	1,00	1275	1400	120	8,57	36,6	14,5	7 x Ø 8
SG58200BF	440	1,60	1275	1400	195	13,92	55,1	21,1	8 x Ø 8
SG58200BF	440	2,00	1000	1200	195	13,95	44,0	29,0	7 x Ø 8
SG58200BF	440	2,50	1000	1200	275	17,41	61,7	36,2	7 x Ø 8
SG58200BF	440	3,00	1000	1200	275	21,37	63,2	43,4	8 x Ø 8
SG58200BF	480	0,63	1000	1200	65	4,30	13,7	8,3	4 x Ø 10
SG58200BF	480	1,00	1000	1200	120	6,90	24	13,3	4 x Ø 10
SG58200BF	480	1,60	1000	1200	195	11,5	36,8	21,2	5 x Ø 10
SG58200BF	480	2,00	1000	1200	195	14,3	36,8	26,5	5 x Ø 10
SG58200BF	520	0,63	1000	1200	65	4,30	14,9	7,7	4 x Ø 10
SG58200BF	520	1,00	1000	1200	120	6,90	26	12,3	4 x Ø 10
SG58200BF	520	1,60	1000	1200	120	11	26	19,6	4 x Ø 10

General data

Harmonized standards of reference	EN 81-20 e EN 81-50
Roping	2:1 - Conventional Single Wrap
Machine position	Top
Compartment efficiency	0,9
Nr of defecti on pulleys on ball bearing	2 for rated load ≤ 1000 kg - 3 for rated load > 1000 kg
Counterweight balancing	50%
Travel height	30 m
Duty cycle	S3 40%
Starts/hour	180
Wrap angle	180°
Acceleration	0,3±0,5m/s ² for car speed ≤ 1 m/s - 0,5±0,7m/s ² for car speed > 1 m/s

Refer to the product configurator for the value of the short circuit torque, the relative speed and the minimum voltage that allows the operation of gearless machine.

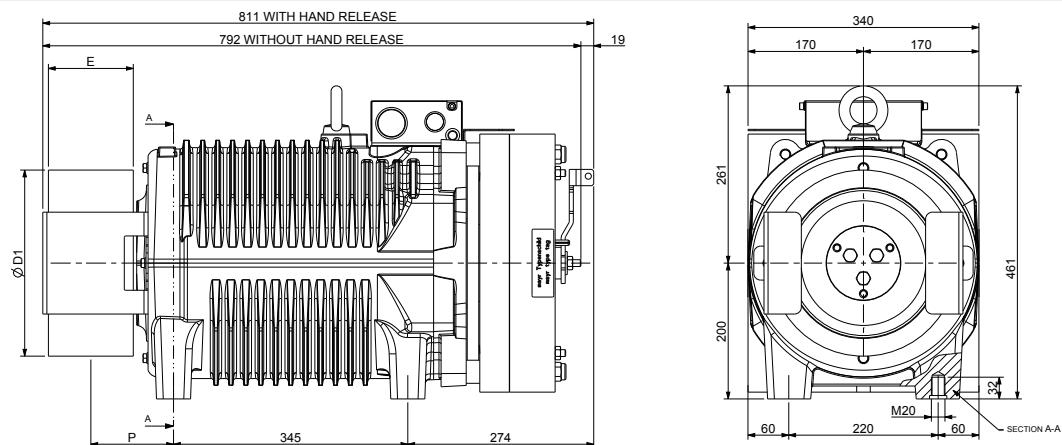
* Pu-coated ropes

** Sample data; for more detailed evaluations we recommend our product configurator.

*** Values referred to configuration table (360V)

SG58 - DIMENSIONS

Mod. SG58200B



Ø D1	E	P	Max Weight	Inertia	Roping System	Torque S3 40%	Max Static Load	Max Power **
[mm]	[mm]	[mm]	[kg]	[kgm ²]		[Nm]	[kN - kg]	[kW]
120	125	122	441	0,55	CSW *	885	39,2 - 4000	28,7
160				0,59				
200				0,67				
210				0,70				
240				0,82				
270				0,93				
320				1				
360	100	109		1,18				
400				1,47				
440				1,81				
480	125	121,5		2,19				
520	110	114		2,57				

Brake Specifications

Braking Torque: 2x1200 [Nm]

Standard Supply Voltage: 207 [V DC]

Power: 2x158 [W]

Degree of Protection: IP10

Standard Encoder Data

Type: Absolute EnDat

Model: Heidenhain ECN 1313

Positions values/rev: 2048 imp 13 bits

Degree of Protection: IP40

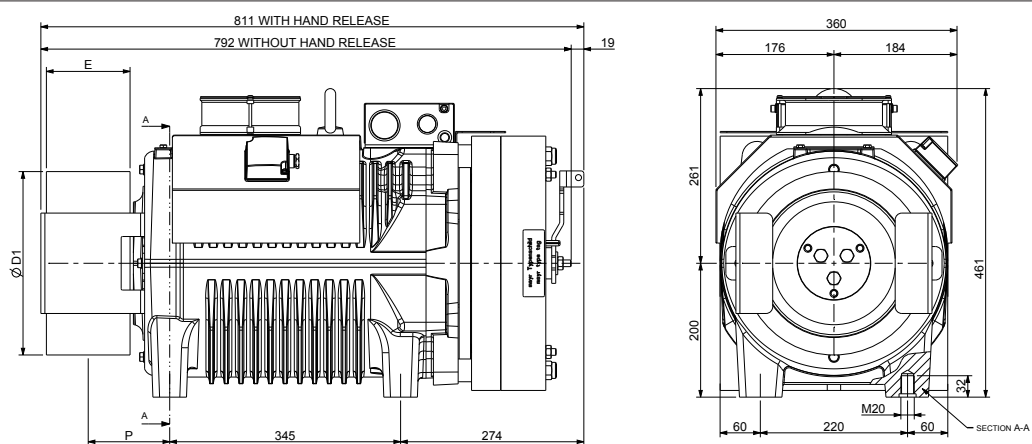
Standard Cable Length: 10 [m]

* CSW: Conventional single wrap.

** Sample data; for more detailed evaluations we recommend our product configurator.

SG58F - DIMENSIONS

Mod. SG58200BF



Ø D1	E	P	Max Weight	Inertia	Roping System	Torque S3 40%	Max Static Load	Max Power **
[mm]	[mm]	[mm]	[kg]	[kgm ²]		[Nm]	[kN - kg]	[kW]
120	125	122	446	0,55	CSW *	1065	39,2 - 4000	34,6
160				0,59				
200				0,67				
210				0,70				
240				0,82				
270				0,93				
320				1				
360	100	109		1,18				
400				1,47				
440				1,81				
480	125	121,5		2,19				
520	110	114		2,57				

Brake Specifications

Braking Torque: 2x1200 [Nm]

Standard Supply Voltage: 207 [V DC]

Power: 2x158 [W]

Degree of Protection: IP10

Standard Encoder Data

Type: Absolute EnDat

Model: Heidenhain ECN 1313

Positions values/rev: 2048 imp 13 bits

Degree of Protection: IP40

Standard Cable Length: 10 [m]

Ventilation data

Voltage: 220 [V]

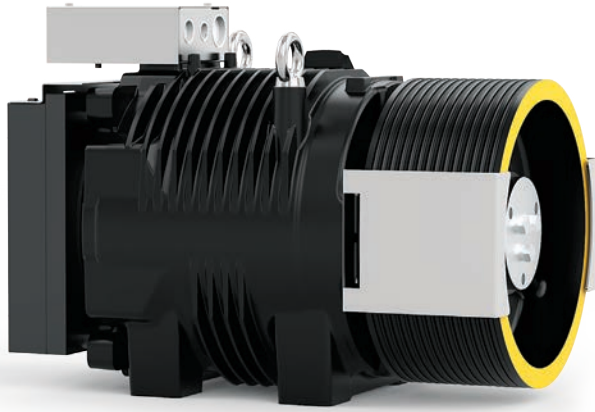
Power: 1x38 [W]

* CSW: Conventional single wrap.

** Sample data; for more detailed evaluations we recommend our product configurator.

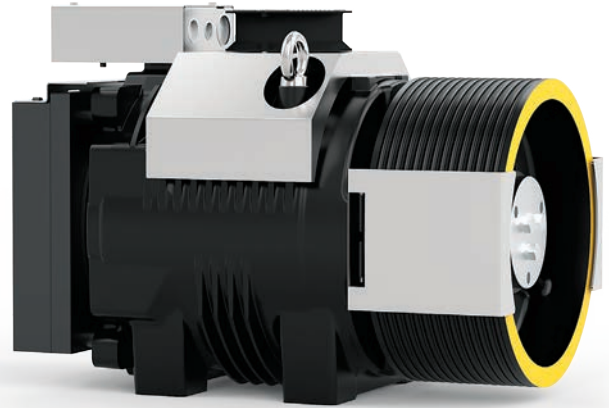
*** For heavy duty

GEARLESS SG62 - SG62F



SG62 Gearless without fan kit

Rated Torque **1310 Nm SG62F (S3 40%)**
 Braking Torque **2x1200 Nm**
 Power Range (min - max) **5,5 - 32,9 kW**
 Maximum Static Load **54 kN - 5500 kg**
 Maximum Weight **520 kg**
 Motor Rated Voltage **360 V**



SG62F Gearless with fan kit

SAMPLE CONFIGURATION TABLE **

Model	Ø Traction sheave	Car speed	Q Rated load	P Car weight	rpm	P ***	I ***	Installation frequency	Ropes Nr x diameter Ø
	[mm]	[m/s]	[kg]	[kg]	[min ⁻¹]	[kW]	[A]	[Hz]	[mm]
SG62220A	320	0,63	2000	1650	96	8,56	27,2	18,8	12 x Ø 8
SG62220A	320	1,00	2000	1650	144	13,68	40,7	29,7	13 x Ø 8
SG62220AF	320	1,60	2000	1650	192	22,24	54,0	47,7	14 x Ø 8
SG62220AF	360	0,63	2000	1650	96	8,34	29,9	16,7	10 x Ø 8
SG62220AF	360	1,00	2000	1650	144	13,62	45,3	26,6	12 x Ø 8
SG62220AF	360	1,60	2000	1650	192	22,24	60,8	42,4	14 x Ø 8
SG62220AF	360	2,00	2000	1650	240	27,80	75,0	53	14 x Ø 8
SG62220AF	400	0,63	2000	1650	96	8,57	34,2	15	8 x Ø 10
SG62220AF	400	1,00	2000	1650	96	13,60	34,2	23,8	8 x Ø 10
SG62220AF	400	1,60	1600	1600	192	18,48	56,2	38,1	9 x Ø 10
SG62220AF	400	2,00	1600	1600	192	23,65	57,5	47,7	10 x Ø 10
SG62220A	400	2,50	1275	1400	240	23,61	56,5	59,7	8 x Ø 10
SG62220AF	440	0,63	1600	1600	96	6,77	29,8	13,6	6 x Ø 10
SG62220AF	440	1,00	1600	1600	96	11,14	30,7	21,7	6 x Ø 11
SG62220AF	440	1,60	1600	1600	144	18,31	46,7	34,7	7 x Ø 11
SG62220AF	440	2,00	1275	1400	192	18,56	49,4	43,5	6 x Ø 11
SG62220AF	440	2,50	1275	1400	240	23,12	61,0	54,2	6 x Ø 11
SG62220AF	480	0,63	1600	1600	96	6,80	32,6	12,5	5 x Ø 11
SG62220AF	480	1,00	1600	1600	96	10,81	32,5	19,9	6 x Ø 10
SG62220AF	480	1,60	1275	1400	144	14,27	39,7	31,8	6 x Ø 10
SG62220AF	480	2,00	1275	1400	192	17,81	52,0	39,7	6 x Ø 10
SG62220AF	480	2,50	1275	1400	240	23,18	66,5	49,8	6 x Ø 11
SG62220AF	520	0,63	1600	1600	48	6,61	19,0	11,5	5 x Ø 10
SG62220AF	520	1,00	1275	1400	96	8,69	28,2	18,4	5 x Ø 10
SG62220AF	520	1,60	1275	1400	144	14,27	43,1	29,3	5 x Ø 11
SG62220AF	520	2,00	1275	1400	192	17,93	56,5	36,8	5 x Ø 11
SG62220AF	520	2,50	1000	1200	192	17,69	44,7	46	5 x Ø 10
SG62220AF	600	0,63	1275	1400	48	5,28	17,5	10	4 x Ø 10
SG62220AF	600	1,00	1275	1400	96	8,40	31,6	15,9	4 x Ø 10
SG62220AF	600	1,60	1000	1200	144	10,88	37,9	25,4	4 x Ø 10
SG62220AF	600	2,00	1000	1200	144	13,62	37,9	31,8	4 x Ø 10
SG62220AF	600	2,50	1000	1200	192	17,61	51,3	39,8	4 x Ø 11

General data

Harmonized standards of reference	EN 81-20 e EN 81-50
Roping	2:1 - Conventional Single Wrap
Machine position	Top
Compartment efficiency	0,9
Nr of defecti on pulleys on ball bearing	2 for rated load ≤ 1000 kg - 3 for rated load > 1000 kg
Counterweight balancing	50%
Travel height	30 m
Duty cycle	S3 40%
Starts/hour	180
Wrap angle	180°
Acceleration	0,3±0,5m/s ² for car speed ≤ 1 m/s - 0,5±0,7m/s ² for car speed > 1 m/s

Refer to the product configurator for the value of the short circuit torque, the relative speed and the minimum voltage that allows the operation of gearless machine.

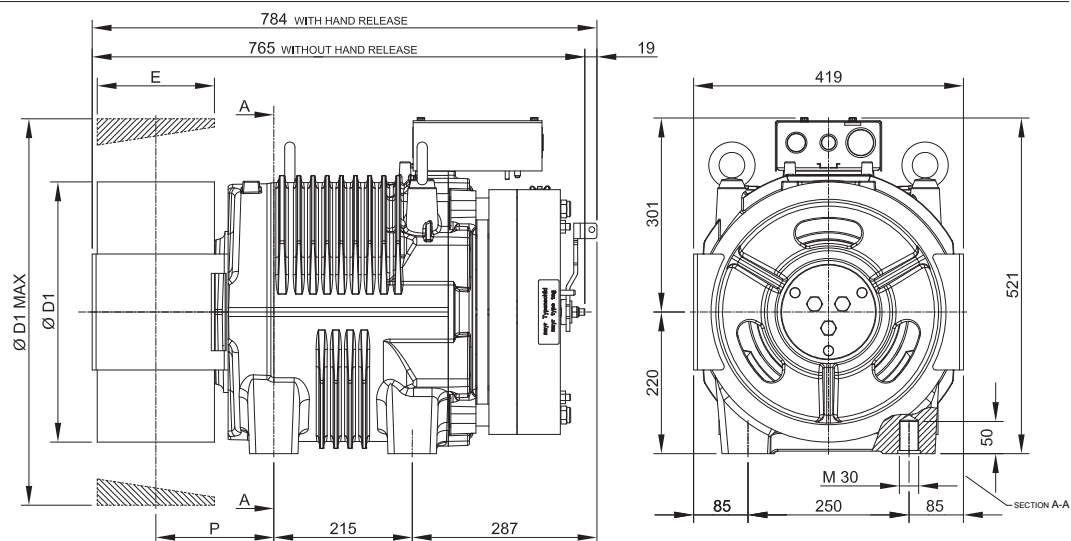
* Pu-coated ropes

** Sample data; for more detailed evaluations we recommend our product configurator.

*** Values referred to configuration table (360V)

SG62 - DIMENSIONS

Mod. SG62220A



Ø D1	E	P	Max Weight	Inertia	Roping System	Torque S3 40%	Max Static Load	Max Power **
[mm]	[mm]	[mm]	[kg]	[kgm ²]		[Nm]	[kN - kg]	[kW]
320	182	184	517	1,68	CSW *	1090	54 - 5500	27,4
360				2,10				
400				2,66				
440				3,33				
480				3,72				
520	150	168		4,30				
600				6,88				

Brake Specifications

Braking Torque: 2x1200 [Nm]

Standard Supply Voltage: 207 [V DC]

Power: 2x158 [W]

Degree of Protection: IP10

Standard Encoder Data

Type: Absolute EnDat

Model: Heidenhain ECN 1313

Positions values/rev: 2048 imp 13 bits

Degree of Protection: IP40

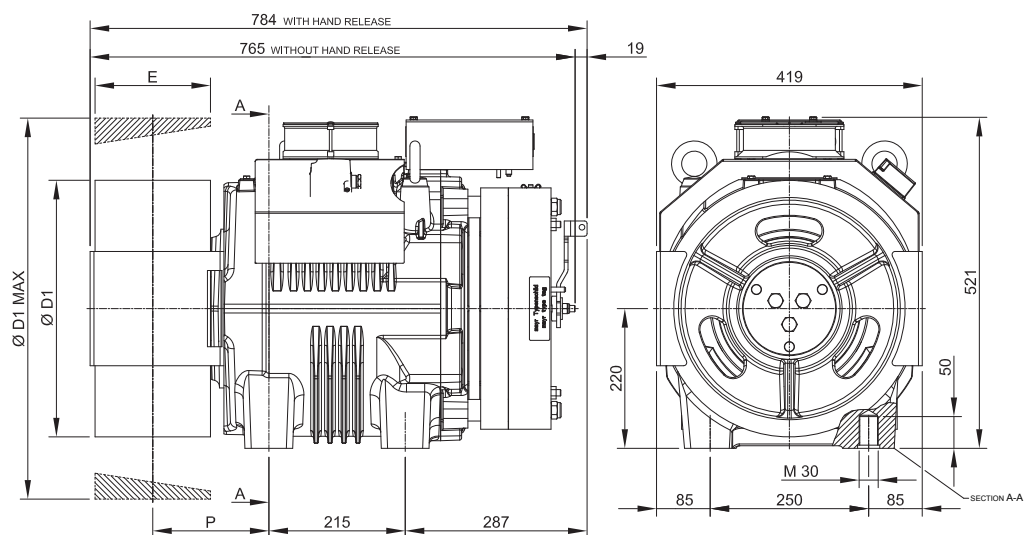
Standard Cable Length: 10 [m]

* CSW: Conventional single wrap.

** Sample data; for more detailed evaluations we recommend our product configurator.

SG62F - DIMENSIONS

Mod. SG62220AF



Ø D1	E	P	Max Weight	Inertia	Roping System	Torque S3 40%	Max Static Load	Max Power **
[mm]	[mm]	[mm]	[kg]	[kgm ²]		[Nm]	[kN - kg]	[kW]
320	182	184	520	1,68	CSW *	1310	54 - 5500	32,9
360				2,10				
400				2,66				
440				3,33				
480				3,72				
520	150	168		4,30				
600				6,88				

Brake Specifications

Braking Torque: 2x1200 [Nm]

Standard Supply Voltage: 207 [V DC]

Power: 2x158 [W]

Degree of Protection: IP10

Standard Encoder Data

Type: Absolute EnDat

Model: Heidenhain ECN 1313

Positions values/rev: 2048 imp 13 bits

Degree of Protection: IP40

Standard Cable Length: 10 [m]

Ventilation data

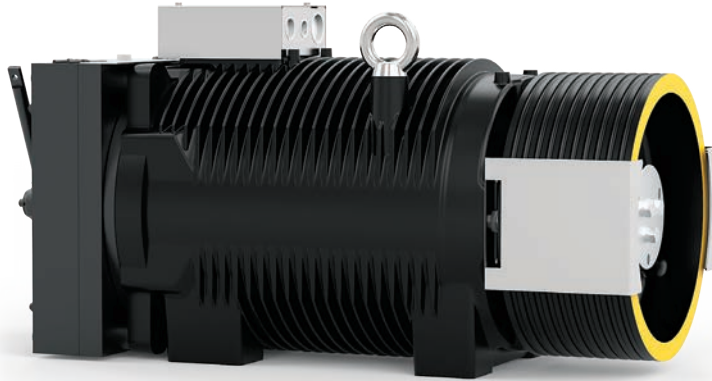
Voltage: 220 [V]

Power: 1x38 [W]

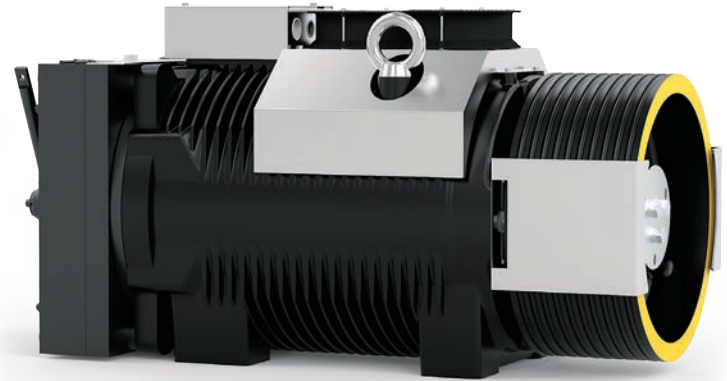
* CSW: Conventional single wrap.

** Sample data; for more detailed evaluations we recommend our product configurator.

GEARLESS SG70 - SG70F



SG70 Gearless without fan kit



SG70F Gearless with fan kit

Rated Torque **1960 Nm SG70F (S3 40%)**
 Braking Torque **2x2200 Nm**
 Power Range (min - max) **8,2 - 49,3 kW**
 Maximum Static Load **58,9 kN - 6000 kg**
 Maximum Weight **713 kg**
 Motor Rated Voltage **360 V**

SAMPLE CONFIGURATION TABLE **

Model	Ø Traction sheave	Car speed	Q Rated load	P Car weight	rpm	P ***	I ***	Installation frequency	Ropes Nr x diameter Ø
	[mm]	[m/s]	[kg]	[kg]	[min ⁻¹]	[kW]	[A]	[Hz]	[mm]
SG70220A	320	0,63	2500	2000	96	10,53	34,8	18,7	14 x Ø 8
SG70220A	320	1,00	2500	2000	144	16,84	48,2	29,9	14 x Ø 8
SG70220A	320	1,60	2000	1650	192	22,24	52,0	47,6	14 x Ø 8
SG70220A	320	2,00	2000	1650	240	27,84	64,7	59,7	14 x Ø 8
SG70220AF	360	0,63	3000	2500	96	12,33	45,9	16,6	14 x Ø 8
SG70220AF	360	1,00	3000	3500	144	16,69	63,6	26,5	14 x Ø 8
SG70220A	360	1,60	2500	2000	192	26,87	70,7	42,4	14 x Ø 8
SG70220A	360	2,00	2000	1650	240	27,47	71,9	53	13 x Ø 8
SG70220AF	400	0,63	3000	2500	96	12,53	57,7	15	10 x Ø 10
SG70220AF	400	1,00	2500	2000	96	17,00	44,2	23,8	10 x Ø 10
SG70220A	400	1,60	2000	1650	192	22,18	64,9	38,1	9 x Ø 10
SG70220A	400	2,00	2000	1650	192	28,34	66,1	47,8	10 x Ø 10
SG70220A	400	2,50	1600	1600	240	29,65	68,8	59,8	10 x Ø 10
SG70220AF	440	0,63	3000	2500	96	12,50	56,8	13,6	10 x Ø 10
SG70220AF	440	1,00	2500	2000	96	16,70	47,8	21,7	9 x Ø 10
SG70220A	440	1,60	2000	1650	144	22,22	54,8	34,7	9 x Ø 10
SG70220AF	440	2,00	2000	1650	192	28,37	72,7	43,5	10 x Ø 10
SG70220AF	440	2,50	2000	1650	240	33,57	85,8	54,3	8 x Ø 11
SG70220AF	480	0,63	2500	2000	96	10,47	51,8	12,5	7 x Ø 11
SG70220AF	480	1,00	2500	2000	96	16,98	52,8	19,9	8 x Ø 11
SG70220AF	480	1,60	2000	1650	144	22,21	59,8	31,8	9 x Ø 10
SG70220AF	480	2,00	2000	1650	192	27,80	77,9	39,8	9 x Ø 10
SG70220AF	480	2,50	1600	1600	240	29,45	82,1	49,8	8 x Ø 11
SG70220AF	520	0,63	2500	2000	48	27,40	31,5	11,5	7 x Ø 10
SG70220AF	520	1,00	2000	1950	96	13,41	45,3	18,3	6 x Ø 11
SG70220AF	520	1,60	2000	1650	144	21,35	62,3	29,3	7 x Ø 10
SG70220AF	520	2,00	2000	1650	192	28,22	85,5	36,8	8 x Ø 11
SG70220AF	520	2,50	1600	1600	192	28,36	68,8	46	8 x Ø 10
SG70220AF	600	0,63	2000	1650	48	8,08	25,0	10	5 x Ø 10
SG70220AF	600	1,00	2000	1650	96	13,13	51,1	15,9	5 x Ø 11
SG70220AF	600	1,60	1600	1600	144	17,28	58,2	25,4	5 x Ø 11
SG70220AF	600	2,00	1600	1600	144	21,59	58,1	31,8	6 x Ø 10
SG70220AF	600	2,50	1600	1600	192	27,03	75,8	39,8	6 x Ø 10

General data

Harmonized standards of reference	EN 81-20 e EN 81-50
Roping	2:1 - Conventional Single Wrap
Machine position	Top
Compartment efficiency	0,9
Nr of defecti on pulleys on ball bearing	2 for rated load ≤ 1000 kg - 3 for rated load > 1000 kg
Counterweight balancing	50%
Travel height	30 m
Duty cycle	S3 40%
Starts/hour	180
Wrap angle	180°
Acceleration	0,3±0,5m/s ² for car speed ≤ 1 m/s - 0,5±0,7m/s ² for car speed > 1 m/s

Refer to the product configurator for the value of the short circuit torque, the relative speed and the minimum voltage that allows the operation of gearless machine.

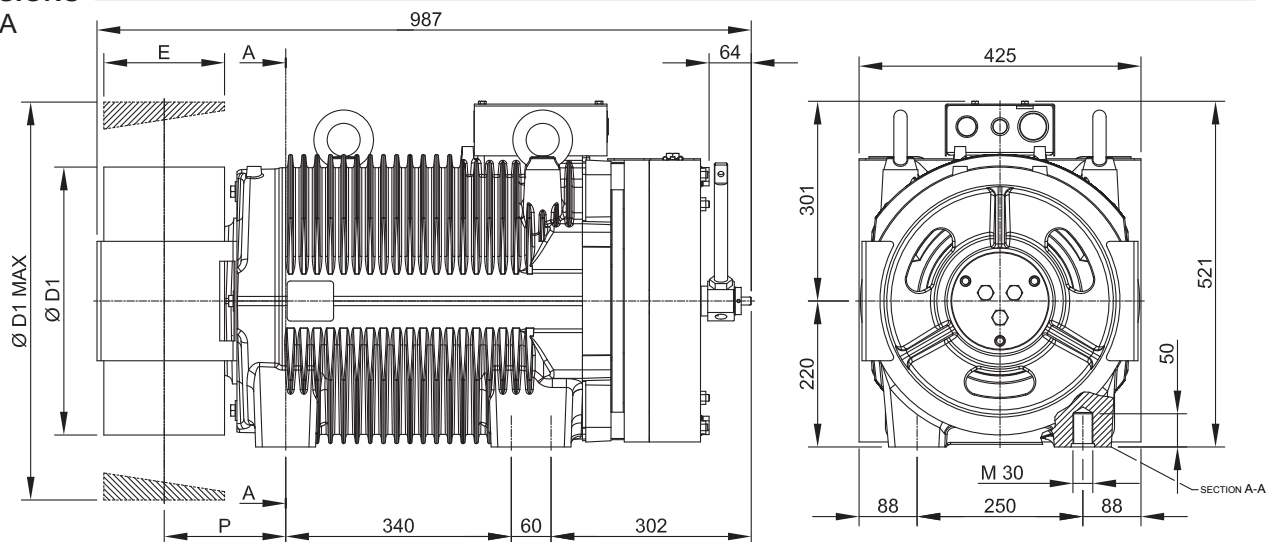
* Pu-coated ropes

** Sample data; for more detailed evaluations we recommend our product configurator.

*** Values referred to configuration table (360V)

SG70 - DIMENSIONS

Mod. SG70220A



Ø D1	E	P	Max Weight	Inertia	Roping System	Torque S3 40%	Max Static Load	Max Power **
[mm]	[mm]	[mm]	[kg]	[kgm ²]		[Nm]	[kN - kg]	[kW]
320	182	183	652	2,14	CSW *	1635	58,9 - 6000	41,1
360				2,56				
400				3,12				
440				3,79				
480				4,18				
520	150	167	167	4,76				
600				7,34				

Brake Specifications

Braking Torque: 2x2200 [Nm]

Standard Supply Voltage: 207 [V DC]

Power: 2x178 [W]

Degree of Protection: IP10

Standard Encoder Data

Type: Absolute EnDat

Model: Heidenhain ECN 1313

Positions values/rev: 2048 imp 13 bits

Degree of Protection: IP40

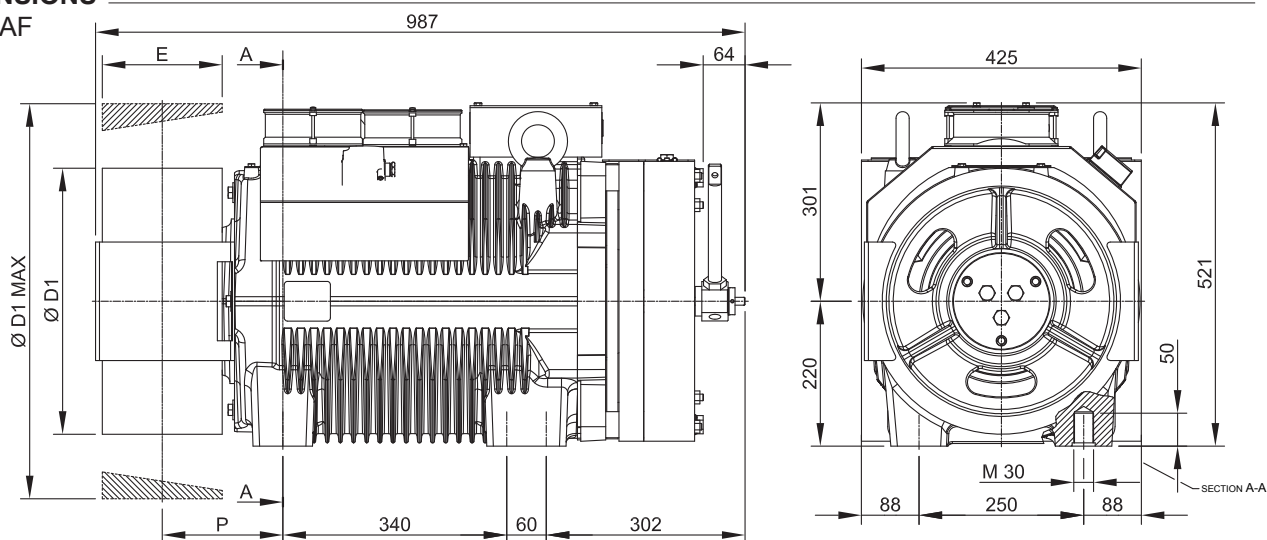
Standard Cable Length: 10 [m]

* CSW: Conventional single wrap.

** Sample data; for more detailed evaluations we recommend our product configurator.

SG70F - DIMENSIONS

Mod. SG70220AF



Ø D1	E	P	Max Weight	Inertia	Roping System	Torque S3 40%	Max Static Load	Max Power **
[mm]	[mm]	[mm]	[kg]	[kgm ²]		[Nm]	[kN - kg]	[kW]
320	182	183	713	2,14	CSW*	1960	58,9 - 6000	49,3
360				2,56				
400				3,12				
440				3,79				
480				4,18				
520	150	167	167	4,76				
600				7,34				

Brake Specifications

Braking Torque: 2x2200 [Nm]

Standard Supply Voltage: 207 [V DC]

Power: 2x178 [W]

Degree of Protection: IP10

Standard Encoder Data

Type: Absolute EnDat

Model: Heidenhain ECN 1313

Positions values/rev: 2048 imp 13 bits

Degree of Protection: IP40

Standard Cable Length: 10 [m]

Ventilation data

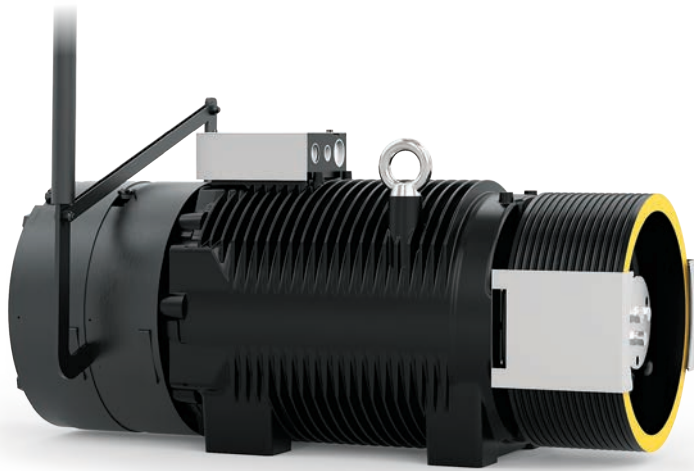
Voltage: 220 [V]

Power: 2x38 [W]

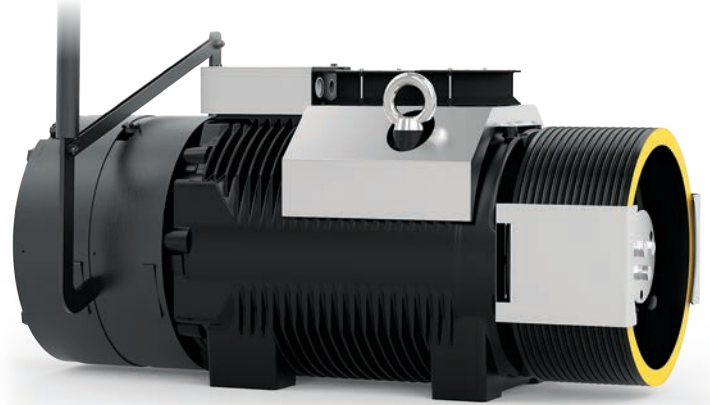
* CSW: Conventional single wrap.

** Sample data; for more detailed evaluations we recommend our product configurator.

GEARLESS SG75 - SG75F



SG75 Gearless without fan kit



SG75F Gearless with fan kit

Rated Torque **2350 Nm SG75F (S3 40%)**
 Braking Torque **2x2800 Nm**
 Power Range (min - max) **9,8 - 59,1 kW**
 Maximum Static Load **78,5 kN - 8000 kg**
 Maximum Weight **888 kg**
 Motor Rated Voltage **360 V**

SAMPLE CONFIGURATION TABLE **

Model	Ø Traction sheave	Car speed	Q Rated load	P Car weight	rpm	P ***	I ***	Installation frequency	Ropes Nr x diameter Ø
	[mm]	[m/s]	[kg]	[kg]	[min ⁻¹]	[kW]	[A]	[Hz]	[mm]
SG75220A	320	0,63	2500	2000	96	10,53	34,8	18,7	14 x Ø 8
SG75220A	320	1,00	2500	2000	144	16,84	52,3	29,9	14 x Ø 8
SG75220A	320	1,60	2000	1650	240	27,84	72,3	59,7	14 x Ø 8
SG75220A	360	0,63	3000	2500	96	12,41	45,9	16,7	14 x Ø 8
SG75220A	360	1,00	3000	2500	144	16,69	69,0	26,5	14 x Ø 8
SG75220A	360	1,60	2500	2000	192	26,87	73,4	42,4	14 x Ø 8
SG75220A	360	2,00	2000	1650	240	27,80	81,3	53	13 x Ø 8
SG75220AF	400	0,63	3500	3000	96	14,20	58,6	15	14 x Ø 8
SG75220AF	400	1,00	3000	2500	96	20,14	52,3	23,8	11 x Ø 10
SG75220AF	400	1,60	3000	2500	192	32,24	98,1	38,1	11 x Ø 10
SG75220A	400	2,00	2500	2000	192	34,65	84,0	47,8	11 x Ø 10
SG75220A	400	2,50	1600	1600	240	29,60	76,9	59,7	10 x Ø 10
SG75220AF	440	0,63	3500	3000	96	14,16	64,4	13,6	14 x Ø 8
SG75220AF	440	1,00	3500	3000	96	22,60	64,4	21,7	14 x Ø 8
SG75220AF	440	1,60	2500	2000	144	27,26	73,0	34,7	10 x Ø 10
SG75220AF	440	2,00	2500	2000	192	34,17	91,0	43,5	10 x Ø 10
SG75220A	440	2,50	2000	1650	240	33,57	95,8	54,3	8 x Ø 11
SG75220AF	480	0,63	3000	2500	96	12,68	62,8	12,5	9 x Ø 11
SG75220AF	480	1,00	3000	2500	96	20,40	63,7	19,8	10 x Ø 11
SG75220AF	480	1,60	2500	2000	144	27,25	79,6	31,8	10 x Ø 10
SG75220AF	480	2,00	2500	2000	192	34,02	99,3	39,7	10 x Ø 10
SG75220A	480	2,50	2000	1650	240	35,35	110,3	49,7	10 x Ø 10
SG75220AF	520	0,63	3000	2500	96	12,45	35,9	11,5	8 x Ø 11
SG75220AF	520	1,00	2500	2000	96	16,70	56,1	18,4	7 x Ø 11
SG75220AF	520	1,60	2500	2000	144	27,09	85,9	29,3	7 x Ø 11
SG75220AF	520	2,00	2500	2000	192	34,02	107,1	36,8	8 x Ø 11
SG75220AF	520	2,50	2500	2000	192	34,16	86,1	46	8 x Ø 10
SG75220AF	600	0,63	2500	2000	48	9,96	33,4	9,9	6 x Ø 10
SG75220AF	600	1,00	2500	2000	96	16,34	63,5	15,9	6 x Ø 11
SG75220AF	600	1,60	2000	1650	144	21,48	78,5	25,4	6 x Ø 11
SG75220AF	600	2,00	2000	1650	144	27,60	80,4	31,9	7 x Ø 11
SG75220AF	600	2,50	2000	1650	192	34,43	100,3	39,8	7 x Ø 11

General data

Harmonized standards of reference	EN 81-20 e EN 81-50
Roping	2:1 - Conventional Single Wrap
Machine position	Top
Compartment efficiency	0,9
Nr of defecti on pulleys on ball bearing	2 for rated load ≤ 1000 kg - 3 for rated load > 1000 kg
Counterweight balancing	50%
Travel height	30 m
Duty cycle	S3 40%
Starts/hour	180
Wrap angle	180°
Acceleration	0,3±0,5m/s ² for car speed ≤ 1 m/s - 0,5±0,7m/s ² for car speed > 1 m/s

Refer to the product configurator for the value of the short circuit torque, the relative speed and the minimum voltage that allows the operation of gearless machine.

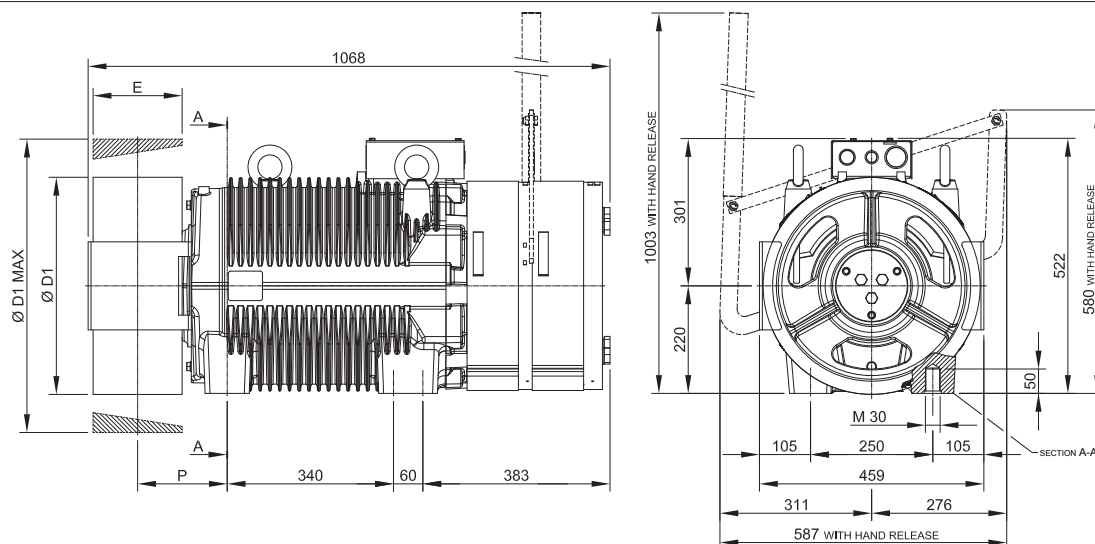
* Pu-coated ropes

** Sample data; for more detailed evaluations we recommend our product configurator.

*** Values referred to configuration table (360V)

SG75 - DIMENSIONS

Mod. SG75220A



Ø D1	E	P	Max Weight	Inertia	Roping System	Torque S3 40%	Max Static Load	Max Power **
[mm]	[mm]	[mm]	[kg]	[kgm ²]		[Nm]	[kN - kg]	[kW]
320	182	184	875	2,37	CSW *	1960	78,5 - 8000	49,2
360				2,79				
400				3,35				
440				4,02				
480				4,41				
520	150	167	167	4,99				
600				7,57				

Brake Specifications

Braking Torque: 2x2800 [Nm]

Standard Supply Voltage: 207 [V DC]

Power: 2x190 [W]

Degree of Protection: IP10

Standard Encoder Data

Type: Absolute EnDat

Model: Heidenhain ECN 1313

Positions values/rev: 2048 imp 13 bits

Degree of Protection: IP40

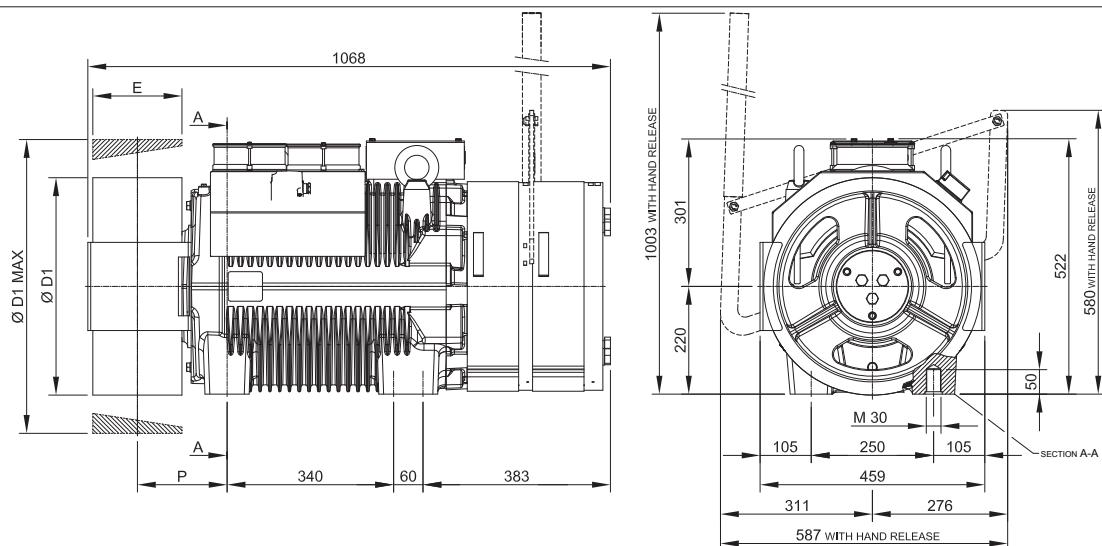
Standard Cable Length: 10 [m]

* CSW: Conventional single wrap.

** Sample data; for more detailed evaluations we recommend our product configurator.

SG75F - DIMENSIONS

Mod. SG75220AF



Ø D1	E	P	Max Weight	Inertia	Roping System	Torque S3 40%	Max Static Load	Max Power **
[mm]	[mm]	[mm]	[kg]	[kgm ²]		[Nm]	[kN - kg]	[kW]
320	182	184	888	2,37	CSW *	2350	78,5 - 8000	59,1
360				2,79				
400				3,35				
440				4,02				
480				4,41				
520	150	167	167	4,99				
600				7,57				

Brake Specifications

Braking Torque: 2x2800 [Nm]

Standard Supply Voltage: 207 [V DC]

Power: 2x190 [W]

Degree of Protection: IP10

Standard Encoder Data

Type: Absolute EnDat

Model: Heidenhain ECN 1313

Positions values/rev: 2048 imp 13 bits

Degree of Protection: IP40

Standard Cable Length: 10 [m]

Ventilation data

Voltage: 220 [V]

Power: 2x38 [W]

* CSW: Conventional single wrap.

** Sample data; for more detailed evaluations we recommend our product configurator.

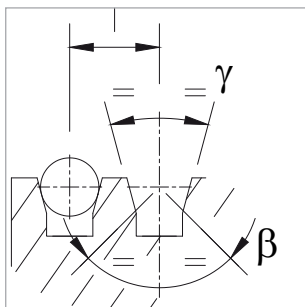


Traction sheaves

Model	Traction Sheave		Max n°grooves x D	Grooves Pitch l[mm]	Roping System	
	E[mm]	D1[mm]				
SGS4 SGS6 SGS7 SGS8 SGS9	90	120	7xD6,..	12	CSW*	
SGS4 SGS6 SGS7	90	160	7xD6,..			
		200	7xD6,..			
		210	7xD6,..			
SGS8 SGS9	125	160	10xD6,..			
		200	10xD6,..			
		210	10xD6,..			
		240	10xD6,..			
SG38(F) SG40 (HF) SG48(F) (HF) SG53(F) SG58(F)	SG30(F)	SG10(F) SG15(F) SG22(F)	120	10xD6,..	12	
			160	10xD6		
			200	10xD6,..		
			210	10xD6,..		
			240	10xD6,..		
			270	10xD6,..		
		100	360	5xD9	17	
			400	5xD10		
			110	440		6xD11
			125	480		6xD12
SG62(F) SG70(F) SG75(F)	182	110	520	5xD13	20	
			320	14xD8		
			360	10xD9		
			400	10xD10		
		150	440	10xD11	17	
			480	9xD12		
			520	7xD12		
			600	7xD13		
150	600	6xD14	19			
	600	6xD14	22			

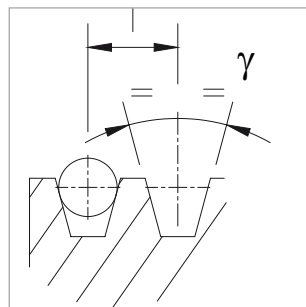
* CSW: Conventional single wrap.

VCI



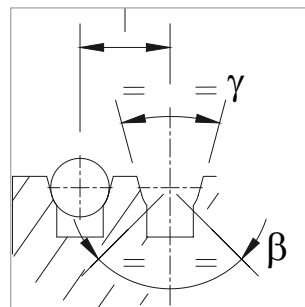
V grooves with undercut

VSI



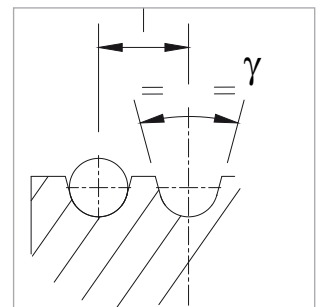
V grooves without undercut

UCI



U grooves with undercut

USI



U grooves without undercut

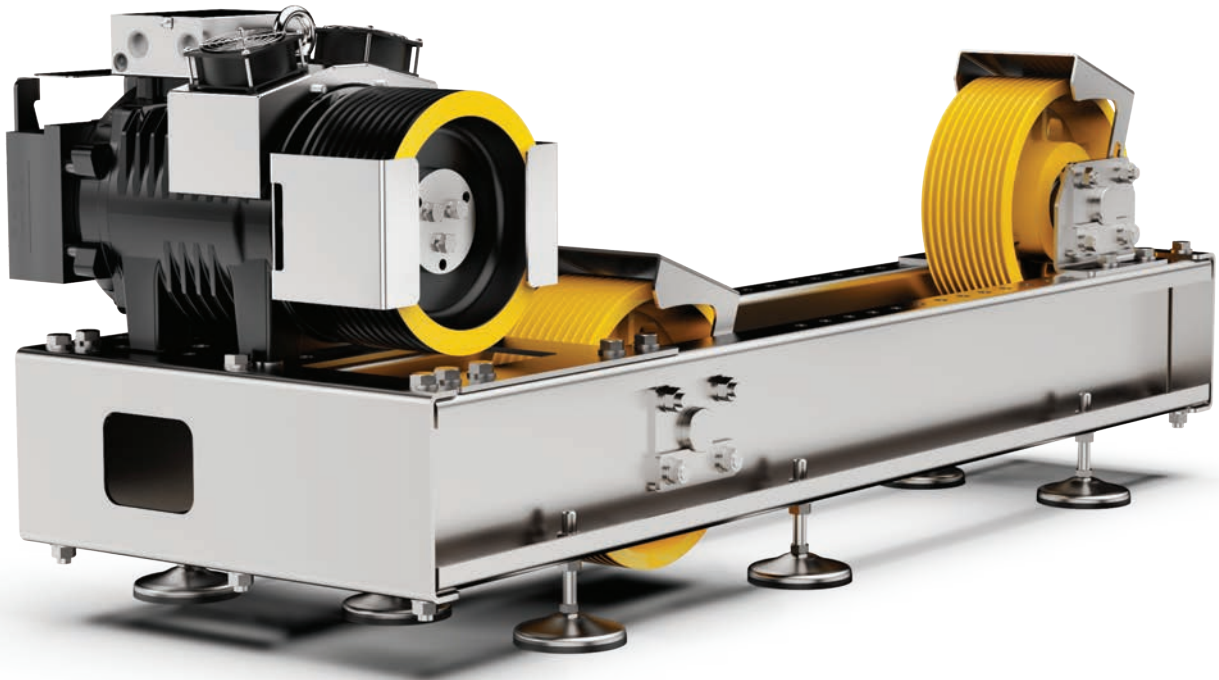
γ = Groove angle
 β = Undercut angle

Motors table - 360V Voltage

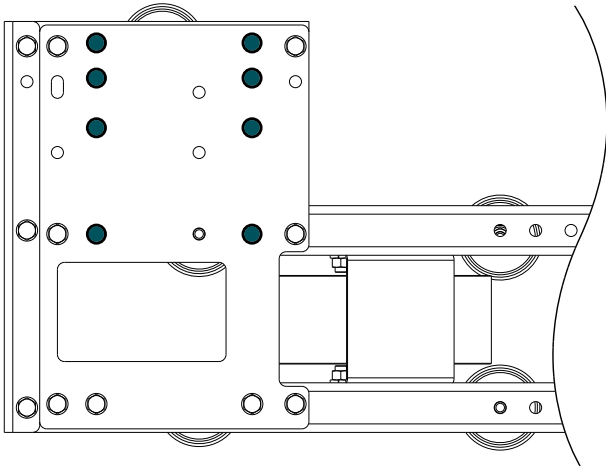
Model	Poles nr.	Rated Speed		Duty Cycle S3 40% Without fan kit		Duty Cycle S3 40% With fan kit	
		rpm [min-1]	[Hz]	Pn [kW]	In [A]	Pn [kW]	In [A]
SGS4	28	62	14,5	--	--	0,6	2,2
	28	124	28,9	--	--	1,1	3,5
	28	240	56	--	--	2,2	5,8
	28	320	74,7	--	--	2,9	7,7
SGS6	28	62	14,5	--	--	0,9	3,5
	28	124	28,9	--	--	1,9	5,6
	28	240	56,0	--	--	3,6	10,0
	28	320	74,7	--	--	4,8	13,0
SGS7	28	62	14,5	--	--	1	3,9
	28	124	28,9	--	--	2,1	6,3
	28	240	56,0	--	--	4	11,3
	28	320	74,7	--	--	5,4	14,4
SGS8	20	120	20,0	--	--	3,1	8,1
	20	199	33,2	--	--	5,1	12,3
	20	254	42,3	--	--	6,5	15,1
	20	291	48,5	--	--	7,4	16,9
SGS9	20	120	20,0	--	--	3,6	9,3
	20	199	33,2	--	--	6	14,4
	20	254	42,3	--	--	7,7	16,9
	20	291	48,5	--	--	8,8	20,2
SG10	20	120	20,0	2,1	5,7	--	--
	20	199	33,2	3,4	8,5	--	--
	20	254	42,3	4,4	10,0	--	--
	20	291	48,5	5,0	12,1	--	--
SG15	20	120	20,0	2,5	6,8	3,1	8,1
	20	199	33,2	4,2	10,2	5,1	12,3
	20	254	42,3	5,4	12,6	6,5	15,1
	20	291	48,5	6,2	14,1	7,4	16,9
SG22	20	120	20,0	3,1	8,0	3,6	9,3
	20	199	33,2	5,2	12,5	6	14,4
	20	254	42,3	6,6	14,5	7,7	16,9
	20	291	48,5	7,6	17,4	8,8	20,2
SG30	20	120	20	4,1	11,0	5	13,1
	20	199	33,2	6,9	17,3	8,2	20,7
	20	254	42,3	8,8	20,3	10,5	24,3
	20	291	48,5	10,1	23,8	12	28,5
	20	380	63,3	11,1	26,6	13,9	33,3
SG38	20	120	20	5,2	12	6,2	14,4
	20	199	33,2	8,5	17,6	10,2	21
	20	254	42,3	10,9	22,1	13	26,5
	20	291	48,5	12,5	25,4	14,9	30,4
	20	380	63,3	16,3	32,7	19,5	39,1
SG40HF	20	119	19,8	--	--	6,9	14,6
	20	191	31,8	--	--	11	22,1
	20	255	42,5	--	--	14,7	28,8
	20	300	50,0	--	--	17,3	34
	20	380	63,3	--	--	21,9	43,2
SG48	20	65	10,8	4,1	10,0	4,9	12,0
	20	120	20	7,5	16,2	9	19,4
	20	195	32,5	12,3	25,1	14,7	30,1
	20	209	34,8	13,1	26,8	15,8	32,2
	20	275	45,8	17,3	35,4	20,7	42,4
	20	310	51,7	19,5	38,9	23,4	46,7
SG53	20	65	10,8	5,1	11,4	6,1	13,9
	20	120	20	9,4	19,6	11,3	23,9
	20	195	32,5	15,3	31,8	18,4	38,9
	20	209	34,8	16,4	31,8	19,7	38,9
	20	275	45,8	21,6	42,4	25,9	51,8
	20	310	51,7	24,3	47,7	29,2	58,3
SG58	20	65	10,8	6,0	13,9	7,2	17
	20	120	19,9	11,1	24,2	13,4	29,7
	20	195	32,5	18,1	35,7	21,7	43,8
	20	209	34,8	19,4	37,5	23,3	46
	20	275	45,8	25,5	50	30,7	61,3
	20	310	51,7	28,7	57,7	34,6	70,8
SG62	30	48	12	5,5	14,5	6,6	17,4
	30	96	24	11,0	26,1	13,2	31,4
	30	144	36	16,4	38,5	19,8	46,3
	30	192	48	21,9	50,6	26,3	60,8
	30	240	60	27,4	62,3	32,9	74,8
	30	48	12	8,2	20,2	9,9	24,3
SG70	30	96	24	16,4	38,3	19,7	46,0
	30	144	36	24,7	56,0	29,6	67,2
	30	192	48	32,9	72,9	39,4	87,3
	30	240	60	41,1	91,1	49,3	109,2
	30	48	12	9,8	26,0	11,8	31,2
	30	96	24	19,7	48,5	23,6	58,2
SG75	30	144	36	29,5	72,7	35,4	87,2
	30	192	48	39,4	90,9	47,2	109,1
	30	240	60	49,2	121,2	59,1	145,4

Motors table - 208V Voltage

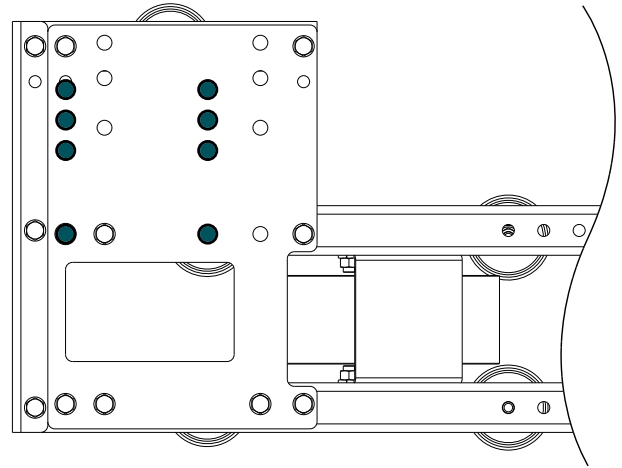
Model	Poles nr.	Rated Speed		Duty Cycle S3 40% Without fan kit		Duty Cycle S3 40% With fan kit	
		rpm [min-1]	[Hz]	Pn [kW]	In [A]	Pn [kW]	In [A]
SGS4	28	62	14,5	--	--	0,6	4
	28	124	28,9	--	--	1,1	6,3
	28	240	56	--	--	2,2	11,7
	28	320	74,7	--	--	2,9	13,9
SGS6	28	62	14,5	--	--	0,9	6,9
	28	124	28,9	--	--	1,9	11,3
	28	240	56	--	--	3,6	20,4
	28	320	74,7	--	--	4,8	25,3
SGS7	28	62	14,5	--	--	1	7,8
	28	124	28,9	--	--	2,1	12,7
	28	240	56	--	--	4	23,1
	28	320	74,7	--	--	5,4	25,3
SGS8	20	120	20	--	--	3,1	15,1
	20	199	33,2	--	--	5,1	24,2
	20	254	42,3	--	--	6,5	30,2
	20	291	48,5	--	--	7,4	33,8
SGS9	20	120	20	--	--	3,6	18
	20	199	33,2	--	--	6	27,9
	20	254	42,3	--	--	7,7	35,2
	20	291	48,5	--	--	8,8	40,5
SG10	20	120	20	2,1	10	--	--
	20	199	33,2	3,4	16,1	--	--
	20	254	42,3	4,4	19,7	--	--
	20	291	48,5	5	22,3	--	--
SG15	20	120	20	2,5	12,6	3,1	15,1
	20	199	33,2	4,2	20,1	5,1	24,2
	20	254	42,3	5,4	25,2	6,5	30,2
	20	291	48,5	6,2	28,2	7,4	33,8
SG22	20	120	20	3,1	15,5	3,6	18
	20	199	33,2	5,2	24,1	6	27,9
	20	254	42,3	6,6	30,3	7,7	35,2
	20	291	48,5	7,6	34,9	8,8	40,5
SG30	20	120	20	4,1	19,7	5	23,6
	20	199	33,2	6,9	31,4	8,2	37,6
	20	254	42,3	8,8	36,3	10,5	43,5
	20	291	48,5	10,1	43,2	12	51,7
SG38	20	120	20	5,2	21,4	6,2	25,6
	20	199	33,2	8,5	31,2	10,2	37,3
	20	254	42,3	10,9	40,4	13,0	48,3
SG40HF	20	119	19,8	--	--	6,9	27,2
	20	191	31,8	--	--	11	39,6
	20	255	42,5	--	--	14,7	52,8
SG48	20	65	10,8	4,1	17,7	4,9	21,2
	20	120	20	7,5	29,9	9	35,9



FIXING HOLES BEDPLATE



XTE2062 for: SG40HF, SG48.

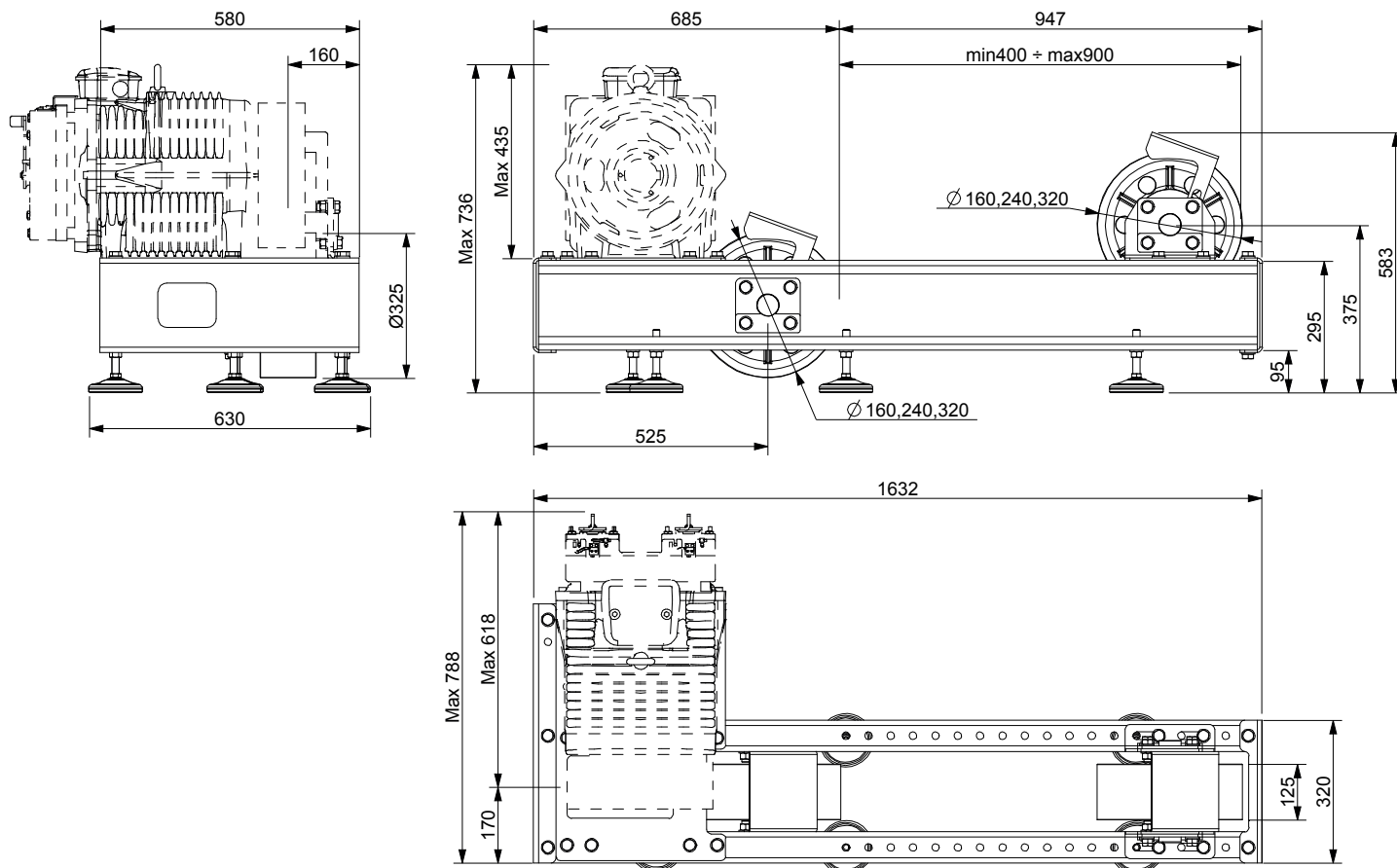


XTE2062 for: SG10, SG15, SG22, SG30.

RANGE OF COMPATIBLE PULLEYS WITH THE FRAME

Diverting Pulley		n°grooves x D	Ø Ropes	Grooves Pitch l[mm]
D[mm]	E[mm]			
160	125	max 10	6 - 6,2 - 6,5 - 6,7 - 8	12
240	125			
320	125			

BEDPLATE - DIMENSIONS



MACHINE BEDPLATE CODES

XTE2062 (SG10/SG15/SG22/SG30/SG40HF/SG48)

The bedplate includes vibration dampers

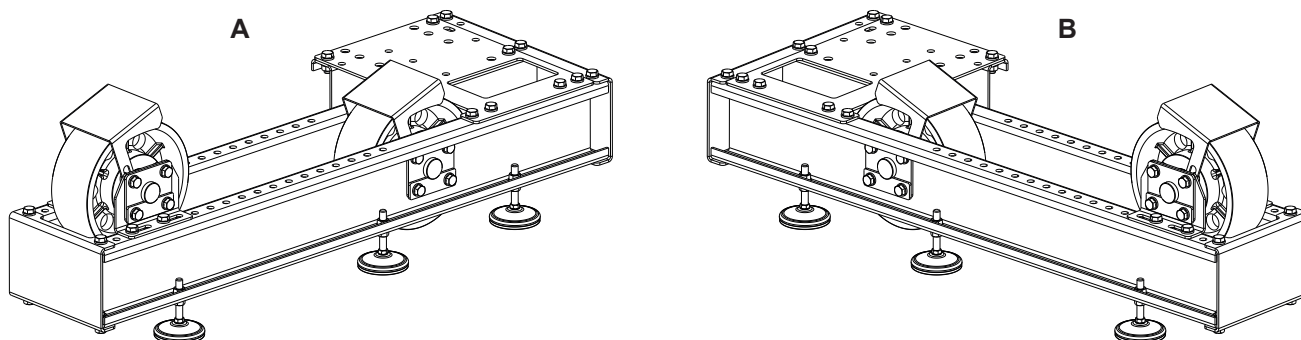
Bedplate weight: 158 kg

XTE5481 (SG38)

The bedplate includes vibration dampers

Bedplate weight: 162 kg

INSTALLATION POSITION





Sicor S.R.L.

Viale Caproni, 32 Rovereto (TN) - Italy • Tel: +39 0464 484 111 • info@sicoritaly.com

www.sicoritaly.com