



FAER

FABBRICA ARGANI PER ELEVATORI ROMA

**TECHNICAL
DATA - 12°**

IN QUESTO CATALOGO IN THIS CATALOGUE

CARICO UTILE LOAD CAPACITY	bilanciato al 50% 50% balanced
PESO DELLE FUNI ROPES WEIGHT	non bilanciate, proporzionate al carico e per una corsa di 21 m. out of balance, proporzionate to load and for 21 m. travel
SOSPENSIONE ROPING	1:1
RENDIMENTO IMPIANTO INSTALLATION EFFICIENCY	80%
VELOCITÀ SPEED	sono indicati due valori della velocità: il primo è quello a pieno carico, il secondo a vuoto. two value of speed are shown: the first is for full load, the second for no-load.
POSIZIONE MACCHINA MACHINE POSITION	in alto up

MACCHINE MACHINES

VOLTAGGIO FRENO (CC) BRAKE VOLTAGE (DC)	48, 60, 80, 110, 180/220
FORMA DELLE GOLE GROOVE FORM	V 35° con intaglio 105° standard disponibile qualunque altra V 35° with undercut 105° standard all other available
ENCODER	disponibile qualunque tipo all types available
OLIO OIL	MOBIL GEAR 630

MOTORI MOTORS

FREQUENZA FREQUENCY	50Hz o 60Hz 50Hz or 60Hz
CLASSE DI ISOLAMENTO INSULATION CLASS	F
PROTEZIONE TERMICA HEAT PROTECTION	disponibile con termistori o termostati available with thermostats or thermistors
REGOLAZIONE ELETTRONICA ELECTRONIC REGULATION	tutte le potenze disponibili per VVVF all horsepower for VVVF available
GRADO DI PROTEZIONE PROTECTION DEGREE	IP 21

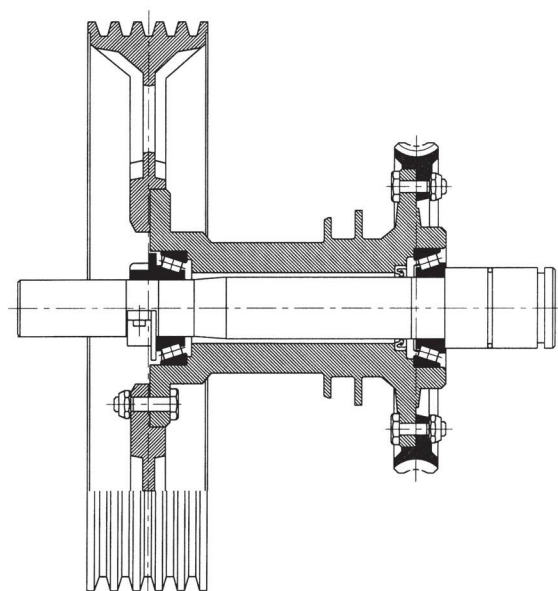
AVVIAMENTI ORARI STARTS FOR HOURS	TIPO DI VENTILAZIONE KIND OF VENTILATION
90 120	autoventilati self-ventilated
180 240	con ventilatore ausiliario esterno with auxiliary ventilating fan

MOTORI 50Hz 50Hz MOTORS

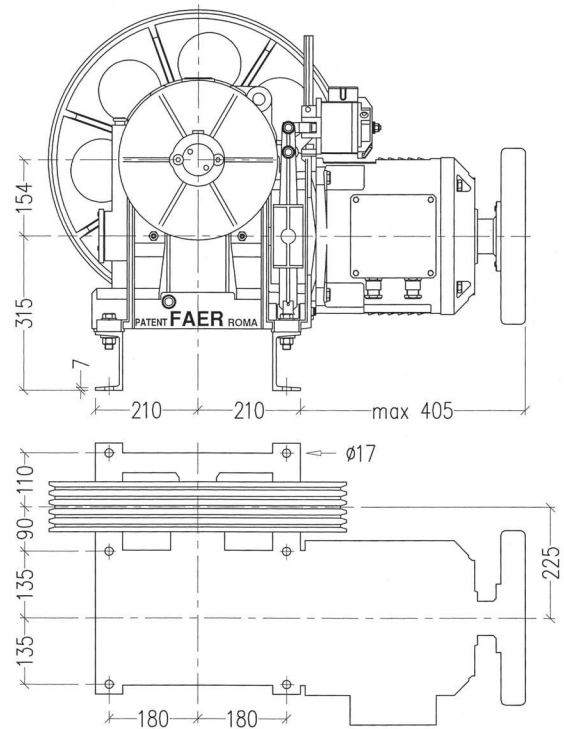
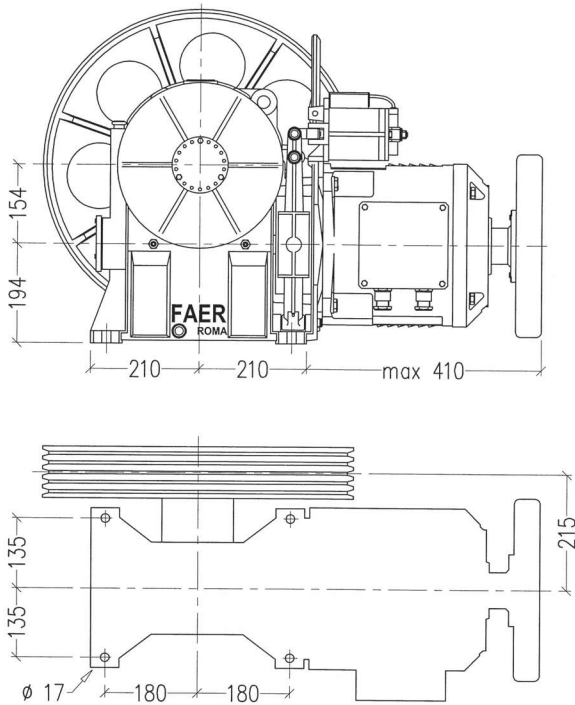
VELOCITÀ SPEED	POLI POLES	GIRI / MIN. A CARICO FULL-LOAD REV./ MIN.	GIRI / MIN. A VUOTO NO-LOAD REV./ MIN.
1	4	1360	1500
1	6	930	1000
2	4 / 16	1360 / 320	1500 / 375
2	6 / 16	930 / 320	1000 / 375
2	4 / 24	1360 / 215	1500 / 250
2	6 / 24	930 / 215	1000 / 250

NOI SUGGERIAMO WE SUGGEST

CARICO UTILE LOAD CAPACITY (kg)	VELOCITÀ / SPEED (m/sec)						
	0,6	0,7	0,8	1	1,2	1,5	2
300	type	P58F	P58F	P58F	P58F	P60F	P68F
	ratio	58:1	58:1	44:1	37:1	37:1	60:2
	sheave	480	520	480	480	550	600
	Hp	5	5	5	6	6	7
375	type	P58F	P58F	P58F	P58F	P60F	P68F
	ratio	58:1	52:1	44:1	37:1	37:1	60:2
	sheave	480	480	480	480	550	600
	Hp	5	6	6	6	8	9
450	type	P58F	P58F	P58F	P58F	P60F	P68F
	ratio	58:1	52:1	44:1	37:1	37:1	60:2
	sheave	480	480	480	480	550	600
	Hp	6	7	7	7	9	10
600	type	P58F	P58F	P60F	P60F	P60F	P68F
	ratio	58:1	52:1	44:1	37:1	37:1	60:2
	sheave	480	480	480	480	550	600
	Hp	7	8	9	10	10	14
750	type	P68F	P68F	P68F	P68F	P68F	P70F
	ratio	62:1	62:1	52:1	38:1	38:1	60:2
	sheave	520	550	550	520	600	600
	Hp	10	10	10	12	14	16
1000	type	P70F	P70F	P70F	P68F	P70F	P70F
	ratio	65:1	55:1	48:1	38:1	38:1	54:2
	sheave	520	520	520	520	600	520
	Hp	10	12	14	16	18	20
1250	type	P70F	P70F	P70F	P70F	P70F	P92F
	ratio	65:1	55:1	48:1	38:1	38:1	54:2
	sheave	520	520	520	520	600	520
	Hp	14	14	16	18	20	22
1500	type	P70F	P70F	P70F	P70F	P70F	P92F
	ratio	48:1	55:1	48:1	38:1	38:1	54:2
	sheave	520	520	520	520	600	520
	Hp	12 6p	16	18	22	25	25
2000	type	P92F	P92F	P92F	P92F	P92F	P92F
	ratio	58:1	67:1	58:1	46:1	46:1	66:2
	sheave	700	600	600	600	700	700
	Hp	18 6p	22	25	28	32	36



**Il sofisticato sistema FAER a doppio albero
The sophisticate dual-axis FAER system**



P58S II series

CARICO STATICO / STATIC LOAD
2800 KG

P58F II series

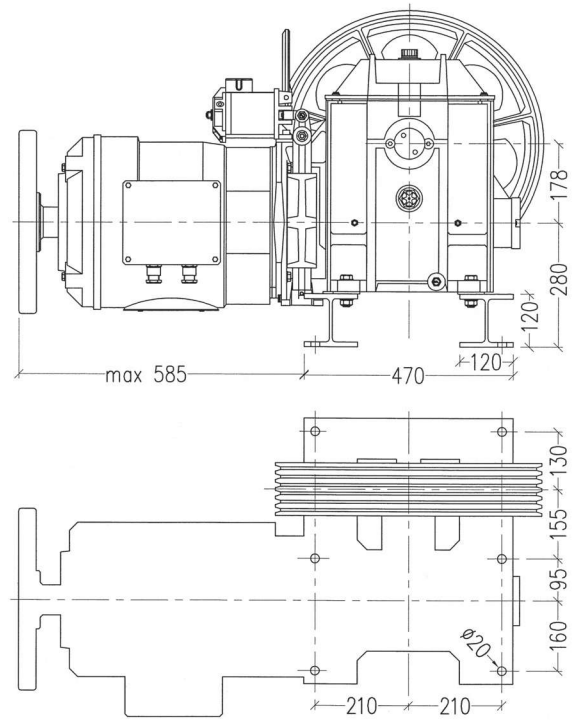
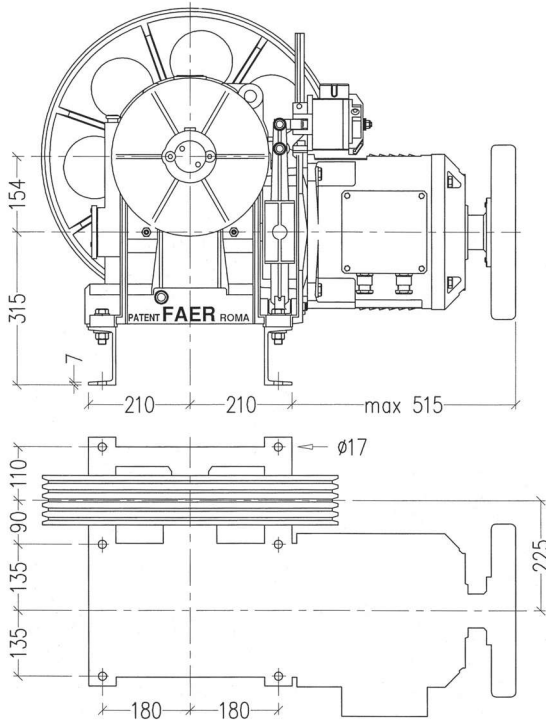
CARICO STATICO / STATIC LOAD
3200 KG

MOTORI / MOTORS
4 POLI 50Hz
CARICO UTILE / LOAD CAPACITY

MOTORI / MOTORS
6 POLI 50Hz
CARICO UTILE / LOAD CAPACITY

RIDUZIONE RATIO	PULEGGIA SHEAVE DIA/mm	VELOCITÀ SPEED m/sec	HP	HP	HP	HP	HP	HP
			5 Kg	6 Kg	7 Kg	8 Kg	9 Kg	10 Kg
76:1	440	0.41-0.45	490					
	480	0.45-0.50	460					
	520	0.49-0.54	430					
	550	0.52-0.57	410					
	600	0.56-0.62	370					
	650	0.61-0.67	340					
66:1	440	0.47-0.52	460					
	480	0.52-0.57	430					
	520	0.56-0.62	400					
	550	0.59-0.65	380					
	600	0.65-0.71	350					
	650	0.70-0.77	320					
58:1	440	0.54-0.60	430	530	630			
	480	0.59-0.65	400	500	600			
	520	0.64-0.70	370	470	570			
	550	0.67-0.74	350	450	540			
	600	0.74-0.81	320	410	490			
	650	0.81-0.88	300	390	470			
52:1	440	0.60-0.66	410	510	600			
	480	0.66-0.72	380	480	580			
	520	0.71-0.78	350	440	530			
	550	0.75-0.83	330	410	500			
	600	0.82-0.90	310	380	460			
	650	0.89-0.98	290	360	440			
44:1	440	0.71-0.79	380	450	550	630		
	480	0.78-0.86	350	420	520	600		
	520	0.84-0.93	320	390	480	560		
	550	0.89-0.98	300	370	450	530		
	600	0.97-1.07	270	330	420	490		
	650	1.05-1.15	250	310	390	470		
37:1	440	0.85-0.93	370	420	490	570	630	670
	480	0.92-1.02	340	390	460	540	610	640
	520	1.00-1.10	310	350	430	500		
	550	1.06-1.17	300	330	400	470		
	600	1.15-1.27	260	300	360	430		
	650	1.24-1.37	240	280	340	410		

RIDUZIONE RATIO	PULEGGIA SHEAVE DIA/mm	VELOCITÀ SPEED m/sec	HP	HP	HP			
			4 Kg	5 Kg	6 Kg			
76:1	440	0.28-0.30	520					
	480	0.31-0.33	480					
	520	0.33-0.36	460					
	550	0.35-0.38	440					
	600	0.38-0.41	410					
	650	0.42-0.45	380					
66:1	440	0.32-0.35	500					
	480	0.35-0.38	460					
	520	0.38-0.41	440					
	550	0.40-0.44	430					
	600	0.44-0.47	400					
	650	0.48-0.52	360					
58:1	440	0.37-0.40	500	630				
	480	0.40-0.43	470	600				
	520	0.44-0.47	430	560				
	550	0.46-0.50	410	540				
	600	0.50-0.54	370	500				
	650	0.54-0.58	340	470				
52:1	440	0.41-0.44	470	600				
	480	0.45-0.48	440	570				
	520	0.49-0.52	400	530				
	550	0.51-0.55	380	510				
	600	0.56-0.60	340	470				
	650	0.61-0.65	310	440				
44:1	440	0.49-0.52	420	550				
	480	0.53-0.57	390	520	630			
	520	0.57-0.62	350	490	600			
	550	0.61-0.65	330	450	560			
	600	0.66-0.71	300	420	530			
	650	0.71-0.76	280	390	500			
37:1	440	0.58-0.62	390	550	630			
	480	0.63-0.68	360	520	590			
	520	0.68-0.73	330	480	550			
	550	0.72-0.78	310	450	490			
	600	0.77-0.83	280	420	460			
	650	0.82-0.88	260	390	430			



P60F II series

CARICO STATICO / STATIC LOAD
3500 KG

MOTORI / MOTORS
4 POLI POLES 50Hz
CARICO UTILE / LOAD CAPACITY

RIDUZIONE RATIO	PULEGGIA SHEAVE DIA/mm	VELOCITÀ SPEED m/sec	HP 7	HP 8	HP 9	HP 10			
			Kg	Kg	Kg	Kg			
44:1	440	0.71-0.79	550	630					
	480	0.78-0.86	520	600					
	520	0.84-0.93	480	560					
	550	0.89-0.98	450	530					
	600	0.97-1.07	420	490					
37:1	440	0.85-0.93	490	570	630	670			
	480	0.92-1.02	460	540	610	640			
	520	1.00-1.10	430	500	570	630			
	550	1.06-1.17	400	470	540	600			
50:2	440	1.25-1.38		410	470	540			
	480	1.37-1.50		370	430	490			
	520	1.48-1.63		340	390	450			
	550	1.56-1.73		320	370	420			
	600	1.71-1.88		300	330	380			

MOTORI / MOTORS
6 POLI POLES 50Hz
CARICO UTILE / LOAD CAPACITY

RIDUZIONE RATIO	PULEGGIA SHEAVE DIA/mm	VELOCITÀ SPEED m/sec	HP 5	HP 6	HP 7			
			Kg	Kg	Kg			
44:1	440	0.49-0.52	550					
	480	0.53-0.57	520	630				
	520	0.57-0.62	490	600				
	550	0.61-0.65	450	560				
37:1	440	0.58-0.62	550	630				
	480	0.63-0.68	520	590				
	520	0.68-0.73	480	550	630			
	550	0.72-0.78	450	490	590			
50:2	440	0.86-0.92		450	530			
	480	0.93-1.00		420	500			
	520	1.01-1.09		390	470			
	550	1.07-1.15		370	450			
	600	1.17-1.26		330	410			

P68F III series

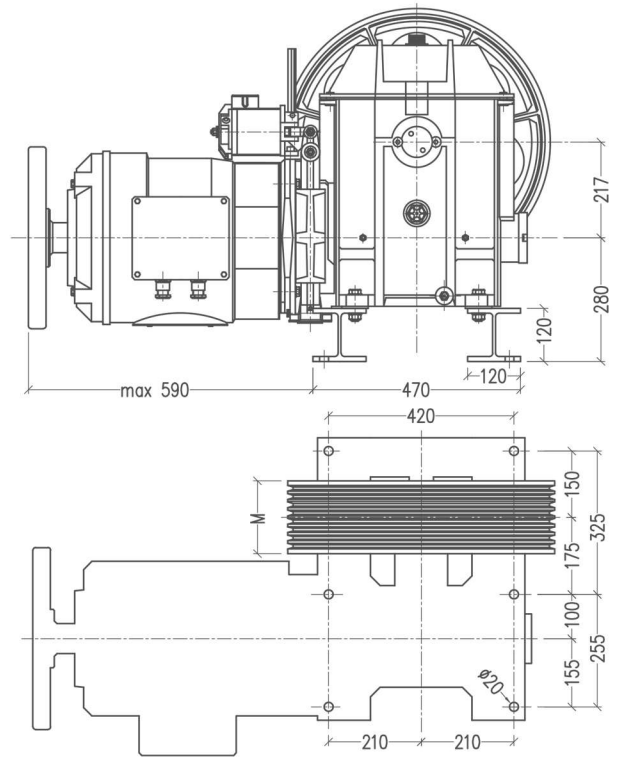
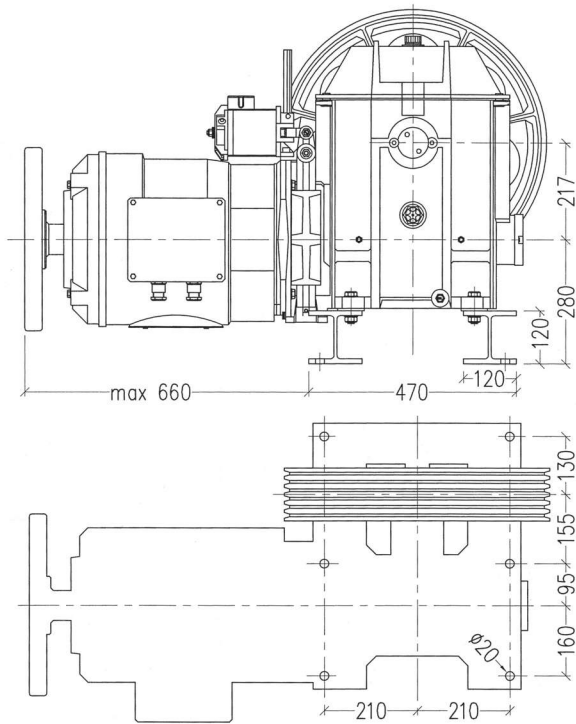
CARICO STATICO / STATIC LOAD
6000 KG

MOTORI / MOTORS
4 POLI POLES 50Hz
CARICO UTILE / LOAD CAPACITY

RIDUZIONE RATIO	PULEGGIA SHEAVE DIA/mm	VELOCITÀ SPEED m/sec	HP 8	HP 10	HP 12	HP 14	HP 16		
			Kg	Kg	Kg	Kg	Kg		
69:1	520	0.54-0.59	720						
	550	0.57-0.62	670						
	600	0.62-0.68	610						
	650	0.67-0.74	560						
62:1	520	0.60-0.66	720	840					
	550	0.63-0.70	680	780					
	600	0.69-0.76	610	720					
52:1	520	0.71-0.78	630	800					
	550	0.75-0.83	590	750					
	600	0.82-0.90	530	680					
44:1	520	0.84-0.93		720	880				
	550	0.89-0.98		680	840				
	600	0.97-1.07		610	760				
38:1	520	0.97-1.07		640	780	940	1040		
	550	1.03-1.14		600	740	880	980		
	600	1.12-1.24		540	670	800	880		
	650	1.22-1.34		490	620	730	800		
60:2	520	1.23-1.36			700	850	940		
	550	1.30-1.44			660	800	880		
	600	1.42-1.57			600	720	790		
	650	1.54-1.70			550	660	720		
43:2	520	1.72-1.90			530	620	680		
	550	1.82-2.01			490	580	640		
	600	1.99-2.19			450	520	570		
	650	2.15-2.37			400	480	520		

MOTORI / MOTORS
6 POLI POLES 50Hz
CARICO UTILE / LOAD CAPACITY

RIDUZIONE RATIO	PULEGGIA SHEAVE DIA/mm	VELOCITÀ SPEED m/sec	HP 6	HP 7	HP 8	HP 9	HP 10		
			Kg	Kg	Kg	Kg	Kg		
69:1	520	0.37-0.39	680						
	550	0.39-0.42	650						
	600	0.42-0.45	620						
	650	0.46-0.49	600						
62:1	520	0.41-0.44	760	800					
	550	0.43-0.46	720	760					
	600	0.47-0.51	660	700					
	650	0.51-0.55	600	640					



P70F III series

CARICO STATICO / STATIC LOAD
8000 KG

MOTORI / MOTORS
4 POLI POLES 50Hz
CARICO UTILE / LOAD CAPACITY

RIDUZIONE RATIO	PULEGGIA SHEAVE DIA/mm	VELOCITÀ SPEED m/sec	HP 14	HP 16	HP 18	HP 20	HP 22	HP 25
			Kg	Kg	Kg	Kg	Kg	Kg
65:1	520	0.57-0.63	1300					
	600	0.66-0.72	1100					
	650	0.71-0.78	1000					
	700	0.77-0.84	920					
55:1	520	0.67-0.74	1200	1450				
	600	0.78-0.86	1050	1280				
	650	0.84-0.93	950	1170				
	700	0.90-1.00	900	1080				
48:1	520	0.77-0.85	1100	1340	1500			
	600	0.89-0.98	960	1140	1300			
	650	0.96-1.06	880	1040	1200			
	700	1.04-1.14	800	960	1100			
38:1	520	0.97-1.07	960	1100	1260	1450	1500	1600
	600	1.12-1.24	830	960	1060	1250	1300	1500
	650	1.22-1.34	760	880	1000	1150	1200	1400
	700	1.31-1.45	720	800	920	1060	1100	1300
54:2	520	1.37-1.51		920	1040	1180	1250	1400
	600	1.58-1.74		780	900	1020	1080	1250
	650	1.71-1.89		720	820	940	980	1100
	700	1.84-2.03		660	760	860	920	1060

MOTORI / MOTORS
6 POLI POLES 50Hz
CARICO UTILE / LOAD CAPACITY

RIDUZIONE RATIO	PULEGGIA SHEAVE DIA/mm	VELOCITÀ SPEED m/sec	HP 8	HP 9	HP 10	HP 11	HP 12	HP 14
			Kg	Kg	Kg	Kg	Kg	Kg
65:1	520	0.39-0.42	1180	1260				
	600	0.45-0.48	1020	1100				
	650	0.49-0.52	940	1000				
	700	0.52-0.56	860	940				
55:1	520	0.46-0.49	1060	1200	1360	1460		
	600	0.53-0.57	920	1060	1180	1280		
	650	0.57-0.62	840	960	1080	1180		
	700	0.62-0.67	760	860	980	1080		
48:1	520	0.53-0.57	960	1100	1240	1380	1500	
	600	0.61-0.65	820	940	1060	1180	1300	
	650	0.66-0.71	740	840	960	1080	1200	
	700	0.71-0.76	660	740	860	980	1100	
38:1	520	0.67-0.72		880	1020	1140	1260	1500
	600	0.77-0.83		760	860	960	1060	1300
	650	0.83-0.89		700	800	900	1000	1180
	700	0.90-0.96		640	720	800	900	1060

P80F

CARICO STATICO / STATIC LOAD
8000 KG

MOTORI / MOTORS
4 POLI POLES 50Hz
CARICO UTILE / LOAD CAPACITY

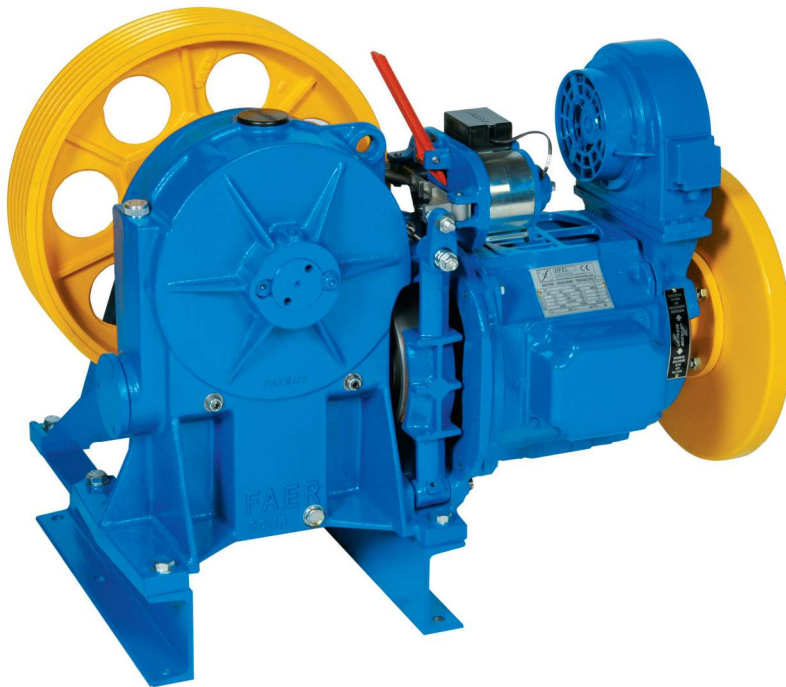
RIDUZIONE RATIO	PULEGGIA SHEAVE DIA/mm	VELOCITÀ SPEED m/sec	HP 22	HP 25	HP 28	HP 30
			Kg	Kg	Kg	Kg
48:1	550	0.82-0.90	1660			
38:1	550	1.03-1.14	1400	1550	1700	1900
54:2	550	1.45-1.60	1200	1300	1500	1650

MOTORI / MOTORS
6 POLI POLES 50Hz
CARICO UTILE / LOAD CAPACITY

RIDUZIONE RATIO	PULEGGIA SHEAVE DIA/mm	VELOCITÀ SPEED m/sec	HP 12	HP 14	HP 16	HP 18
			Kg	Kg	Kg	Kg
55:1	550	0.49-0.52	1500	1700		
48:1	550	0.56-0.60	1340	1540	1750	
38:1	550	0.70-0.76	1140	1320	1550	1700

P58S II SERIES

Static load up to 2800 Kg.
Power up to 8 Hp.
Speed up to 1,2 m/sec.

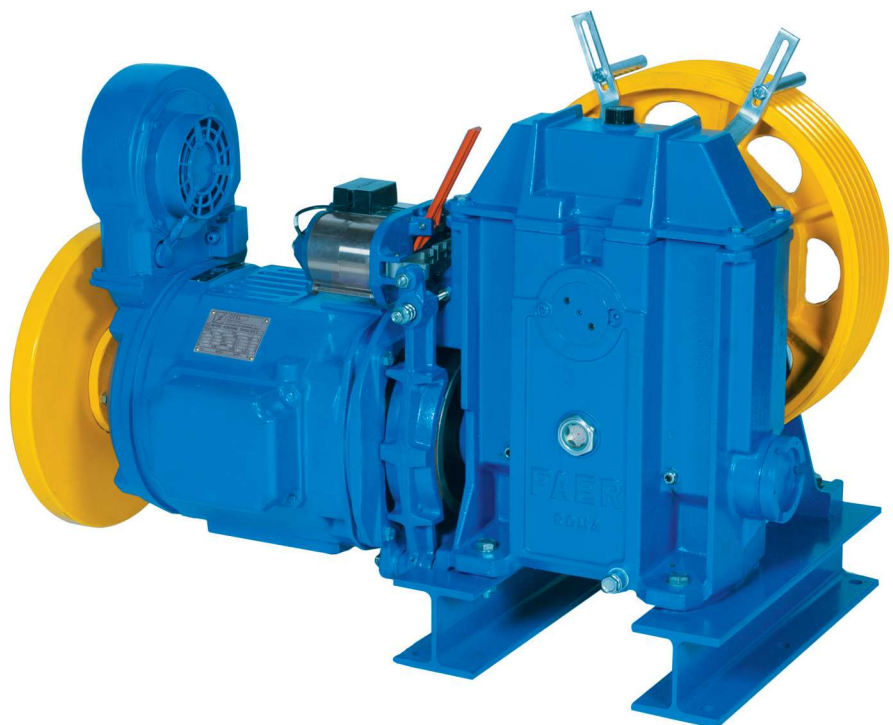


P60F II SERIES

Static load up to 3500 Kg.
Power up to 10 Hp.
Speed up to 1.2 m/sec.

P70F III SERIES

Static load up to 8000 Kg.
Power up to 25 Hp.
Speed up to 2 m/sec.





P58F II SERIES

Static load up to 3200 Kg.
Power up to 8 Hp.
Speed up to 1,2 m/sec.

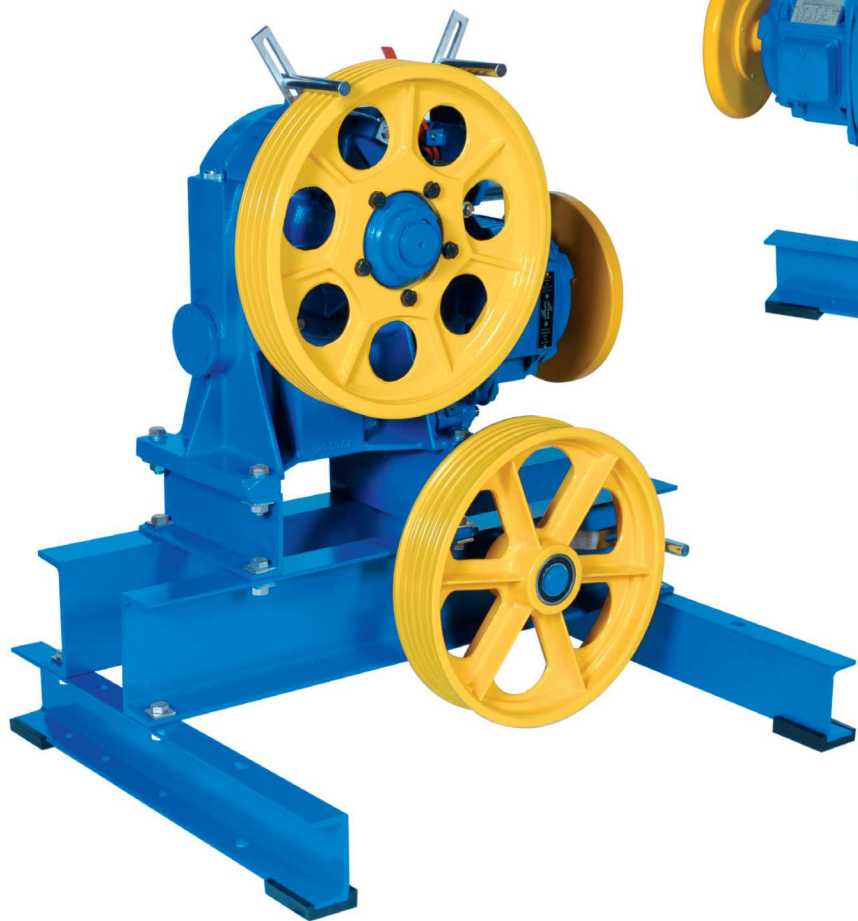
P68F III SERIES

Static load up to 6000 Kg.
Power up to 16 Hp.
Speed up to 2 m/sec.

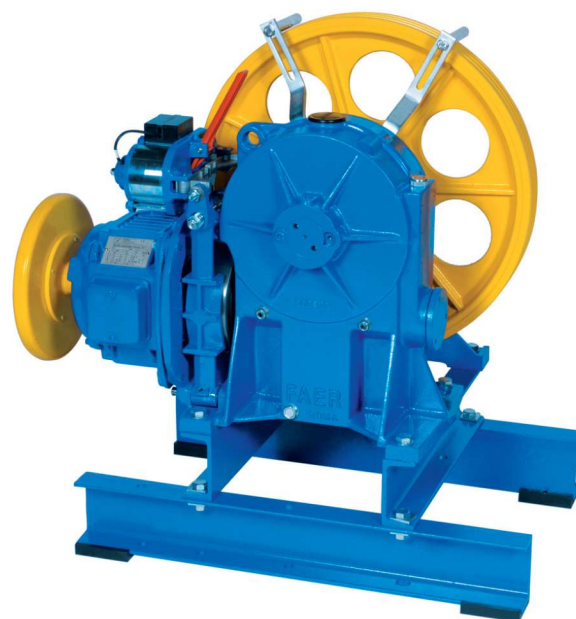


P80F

Static load up to 8000 Kg.
Power up to 30 Hp.
Speed up to 1.6 m/sec.



P58S RV EDITION



P58F BT EDITION

FAER Srl

Fabbrica Argani per Elevatori Roma

Via di Valleranello, 155 - 00128 Roma Italy - www.faer.net

Tel. (39) 065085369 (3 lines) - fax (39) 065071062 - E-mail: faer@iol.it

Export RM 11663 - CCIAA 341596 - Trib. RM 2190/71 - P.I. 00892911009