

## MANUAL CALL POINTS

The new range of conventional manual call points from Gent by Honeywell simplifies installation time.



### Description

The new conventional manual call points are designed to provide a manual alarm interface to conventional fire alarm control panels. All call points are supplied in the standard red colour and are available in semi-flush mounting or surface mounting options. The manual call points from Gent are all with a 470 Ohm resistor and Normally Open contact, complete with glass.

Both break glass, and resettable operating elements can be used in the standard unit by a yellow strip on the element which becomes visible when activated. With the addition of a hinged transparent cover the element may be protected against accidental operation. A specialist test key may be inserted into the bottom of the unit to lower the glass and release the micro-switch and thus a full functional test is achieved.

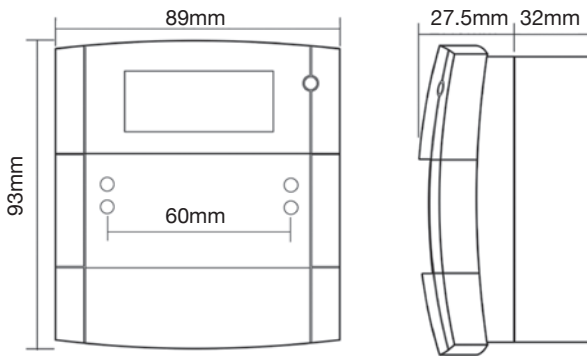
### Key Features

- Fully compliant with EN54, Part 11
- Re-settable operating element option
- Weather proof IP67
- Semi-flush or surface mounting
- 470 Ohm resistor and Normally Open contact complete with glass
- Resistive and clean contact connections

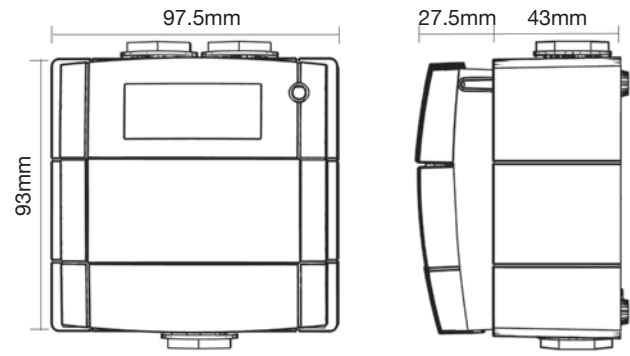
**SPECIFICATION**

	Standard	Weatherproof
Weight	180g (130g Semi- flush)	240g
Current rating	2A (switching only)	2A (switching only)
Operating Voltage	30VDC maximum	30VDC maximum
Dimensions mm (H x W x D)	Semi-flush mounted 93 x 89 x 59.5	
Operating temperature	-10°C to +55°C	-30°C to +70°C
Relative humidity	93+ 3% non-condensing	0-95% non-condensing
Ingress Protection (IP) Rating	IP24D	IP67

**Dimensions: Standard MCP \***



**Dimensions: Waterproof MCP**



\* Surface mounted

**CONVENTIONAL MCP WITH 470 OHM RESISTOR AND N/O CONTACT**

**ORDER CODES**

Flush MCP 470 Ohms Glass	XENS-850
Surface MCP 470 Ohms Re-settable	XENS-805
Weatherproof MCP 470 Ohms resistor Glass	XENS-829
Key Operated, Surface Mounted c/w backbox	XENS-807
Change over contact MCP	XENS-801

**NEW MANUAL CALL POINT ACCESSORIES AND SPARES**

**ORDER CODES**

Spare Glasses for MCP XENS-800 (Pack of 10)	XENS-891
Resettable element for XENS-800 and XENS-805 (pack of 10)	XENS-890
Hinged protective cover for use on XENS-800 range (pack of 10)	XENS-892
Surface Backbox for XENS-800 range of MCP (pack of 10)	XENS-895
Replacement keys for XENS-807 K/S MCP (pack of 10)	XENS-893
Pack of test keys (pack of 10)	XENS-899