

Addressable Call Points

(ZT-CP3/AD & ZT-CP3/WP/AD)



ZT-CP3/AD

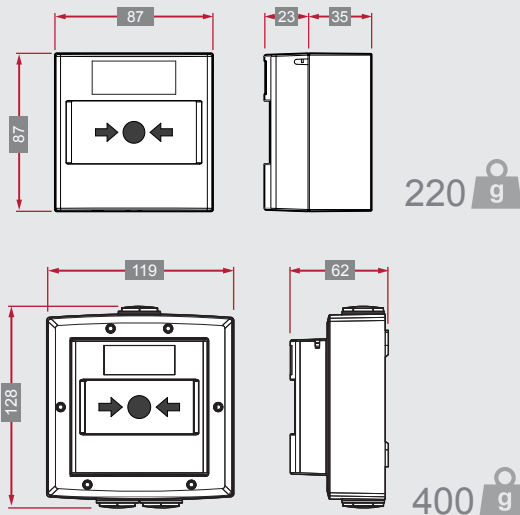


ZT-CP3/WP/AD



ZT-CP3/AD/W

Dimensions (mm) & Weight (g)



Description

The ZT-CP3/AD and ZT-CP3/WP/AD addressable call points are unique in that they mimic the feel of breaking glass whilst offering the user the benefits and environmental advantages of a re-settable operating element.

Addressing these call points is via an 8 way dip switch on the back of the call point. The design also provides a visual LED indication to confirm alarm activation.

A special Polycarbonate cover (CP3-CV) is available for extra protection against accidental activation and thus allowing the unit to operate as a double action call point. This must be ordered separately.



Features

- EN54-11 approved
- Waterproof tested to IP67 (ZT-CP3/WP/AD only)
- Glass appearance maintains operator deterrence
- Positive activation that mimics the feel of breaking glass
- Visible warning flag confirms activation
- Simple key to reset operating element (no broken glass)
- Complete functional test with every activation
- Available in two colours

Technical Specification



Model	ZT-CP3/AD	ZT-CP3/AD/W	ZT-CP3/WP/AD
Input Voltage	17-28V DC		
Element Type	Resettable		
Quiescent Current	600µA Maximum		
Alarm Current	2.5mA Maximum		
Operating Temperature	-20 degrees C to +60 degrees C		
Max Humidity	95%RH Non-Condensing		
IP Rating	IP32		IP67
Size (W x H x Dmm)	87 x 87 x 23		119 x 119 x 62

Optional Extras

Order Code	Description
CP3-CV	Perspex Cover for CP3 Series Manual Call Point
CP3-FMB	Flush Mount Bezel For Indoor CP3 Series Manual Call Points