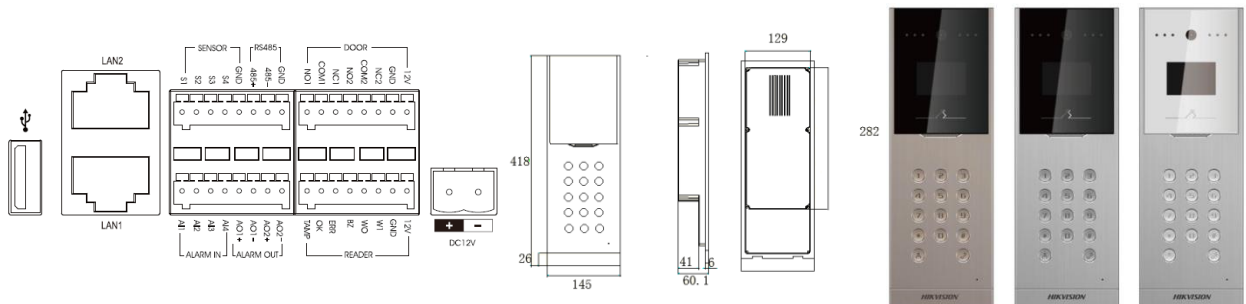


DS-KD8002-VM

Metal Door Station



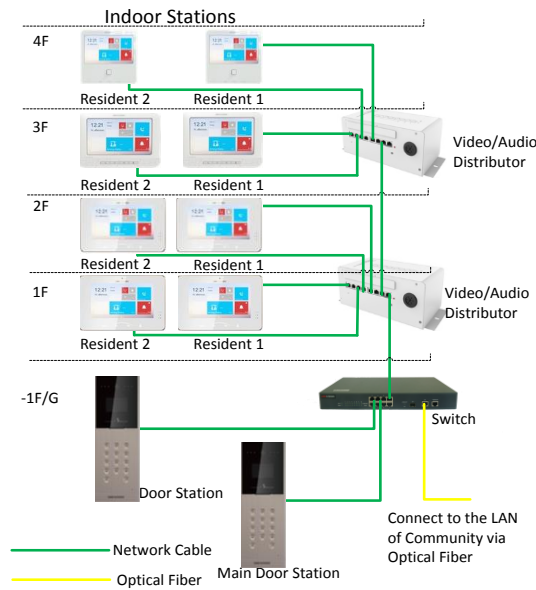
AVAILABLE MODELS

DS-KD8002-VM

MAIN FEATURES

- Video intercom function
- HD video surveillance (Max. resolution 1280 × 720@25fps, WDR, 120° wide angle)
- Self-adaptive light supplement
- Access control function
- Activating card via local station function (This function will be invalid if the card has been activated via iVMS-4200)
- Auto-uploading captured pictures to FTP or iVMS-4200 Client while unlocking the door
- Door magnetic alarm and tamper-proof alarm function
- Noise suppression and echo cancellation
- Remote upgrade, batch setting, upgrade via USB flash disk functions

TYPICAL APPLICATION



SPECIFICATION

Model	DS-KD8002-VM	
Parameters		
System Parameters	Processor	High-performance Embedded SOC Processor
	Operation System	Embedded Linux OS
Video Parameters	Camera	CMOS Low Illumination 1.3 MP HD Colorful Camera
	Video Compression Standards	H.264
	Resolution	1280 × 720
	Video Frame	PAL: 25 fps, NTSC: 30 fps
Display Parameters	Display Screen	3.5-Inch Colorful TFT LCD
	Resolution	480 × 320
	Operation Method	Physical Touch Keypad
	Operation Interface	LCD Display, Easy Menu
Audio Parameters	Audio Input	Built-in Omnidirectional Microphone
	Audio Output	Built-in Loudspeaker
	Audio Compression Standard	G.711 U

Model	DS-KD8002-VM	
Parameters		
	Audio Compression Rate	64 Kbps
	Audio Quality	Noise Suppression and Echo Cancellation
Access Control Parameters	Internal Card Reader	Built-in IC Card Reader
	External Card Reader	Wiegand 26, Wiegand 34, or RS485 IC Reader
	Door Magnetic Detection	Detecting Door Magnetic Status
Light Supplement	Light Supplement Mode	Visible Light Supplement
Network Parameters	Ethernet	10M/100M/1000M Self-Adaptive Ethernet
	Network Protocol	TCP/IP, SNMP, SIP, RTSP
Alarm Parameters	Alarm Input	Door Magnetic Alarm, Tamper Alarm
Device Interfaces	Internet Access	1 RJ45 10M/100M/1000M Self-Adaptive Ethernet Access
	RS-485	1 RS485 Half-Duplex Port
	IO Input	8
	IO Output	4
	Wiegand	1 Wiegand Port for Accessing Wiegand IC Card Reader
	USB	1; USB2.0, Supporting U-disk
Other Parameters	Material	Aluminum Alloy
	Power Supply	12V DC
	Consumption	≤12 W
	Working Temperature	-40° C to +70° C (-40° F to 158° F)
	Working Humidity	10% - 90%
	IP Protection Level	IP65
	Dimension	418 mm × 145 mm × 61 mm (16.5 × 5.7 × 2.4")
Certification	FCC, CE	