



4-Way Inlet Breeching Valve Model: DRV009

Product Description

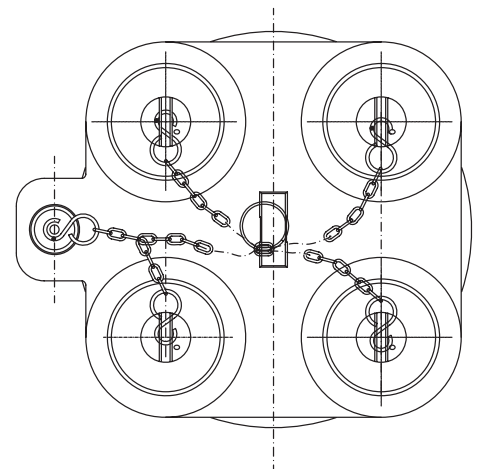
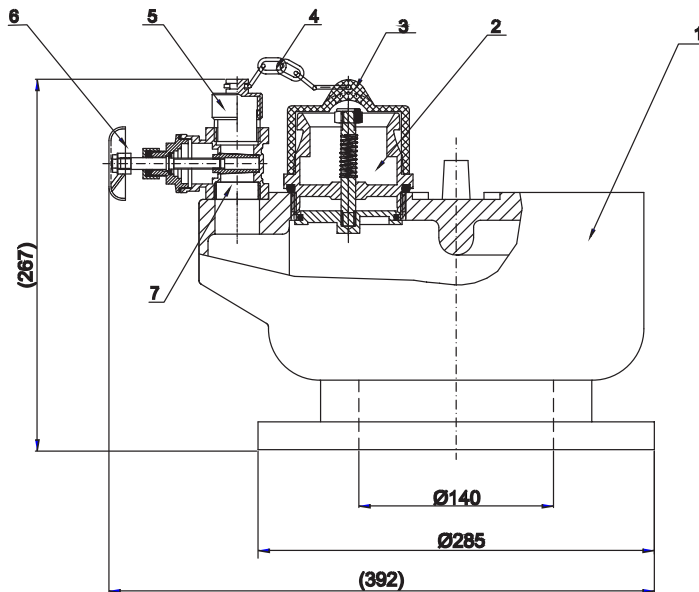
An Inlet breeching valve is installed at ground level to provide a connection to the water supply. The system is usually dry and charged by the fire brigade in an emergency. DRV009 has 4 inlets which are 2 1/2" male instantaneous connections to BS336 and fitted with non-return valves, a 1" drain valve, caps and chains. 4 way inlet breeching valves can be installed in the vertical or horizontal position

Standards

Manufactured in accordance with BS5041: Part 3: 1987

Features

- Available in PN16 flange or Table D flange
- Valve body is hydrostatically tested to 20 bar
- Non -return valves tested to 1.7 bar
- Manufactured from ductile iron



Specifications

Size	150mm (6")
Material	Ductile Iron
Pressure Rating	Tested to 20 bar
Inlet Connection	Instantaneous BS336 Male
Outlet Connection	PN16 Flanged / Table D
Manufactured in Accordance to	BS5041 Part 3

Material Specifications

Item	Part Description	Qty	Material
1	Valve Body	1	Ductile Iron
2	Connecting Seat	4	Assembly
3	Cap	4	Rubber
4	Chain	1	SUS304
5	Aluminium Cap	1	6061
6	1" Gate Valve	1	Assembly
7	1" Joint	2	Steel (Nickel Plating)